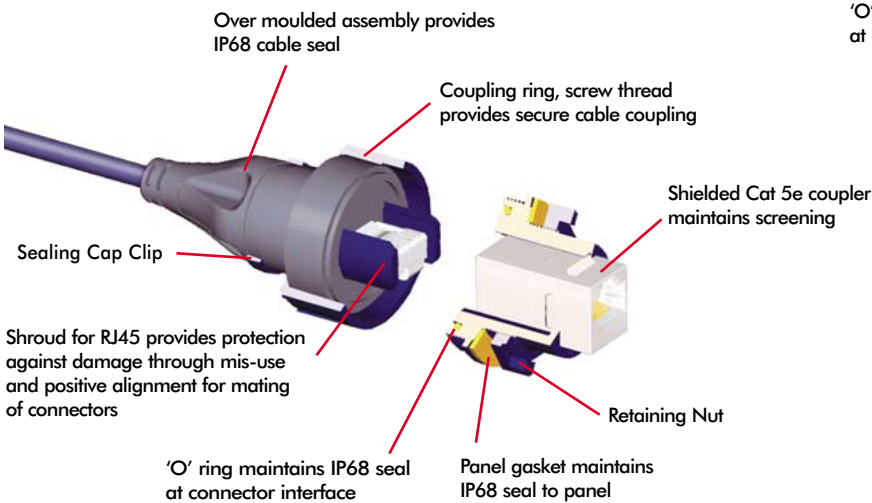
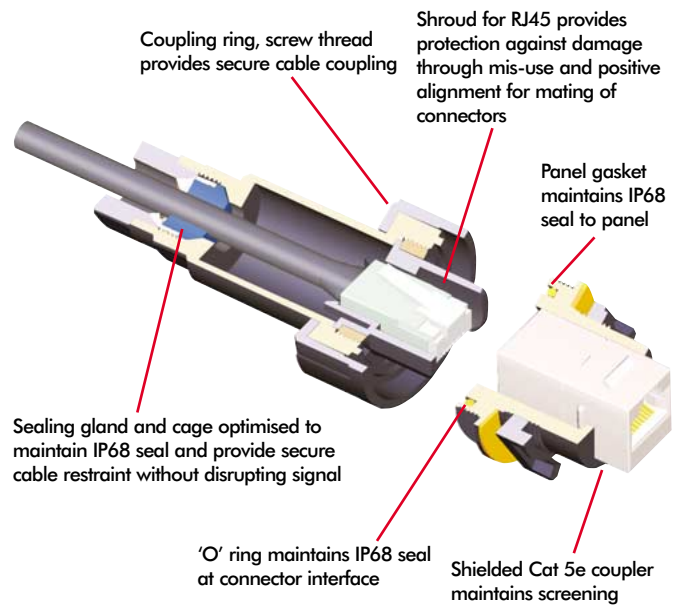


# Ethernet Buccaneer®



- IP68 rated
- Cat 5e compliant
- PE or PUR jacket on cable
- Shielded system
- Cat 5e shielded coupler
- Shroud on RJ45
- Screw coupling
- Rewireable flex connector
- PCB mounted panel connector
- IDC termination panel connector
- Earth lead version of panel adaptor
- ▶ Dust and waterproof sealing when mated
- ▶ Data rate up to 100MHz
- ▶ Good chemical and water resistance
- ▶ High noise immunity and EMI protection
- ▶ Maintains shielding
- ▶ Protection from abuse and mis-mating
- ▶ Secure, proven locking system
- ▶ Ability to 'field' terminate
- ▶ Direct PCB mount panel connector
- ▶ Simple termination
- ▶ Continuous screening of panel mount connector

BUCCANEER

Ethernet Buccaneer®

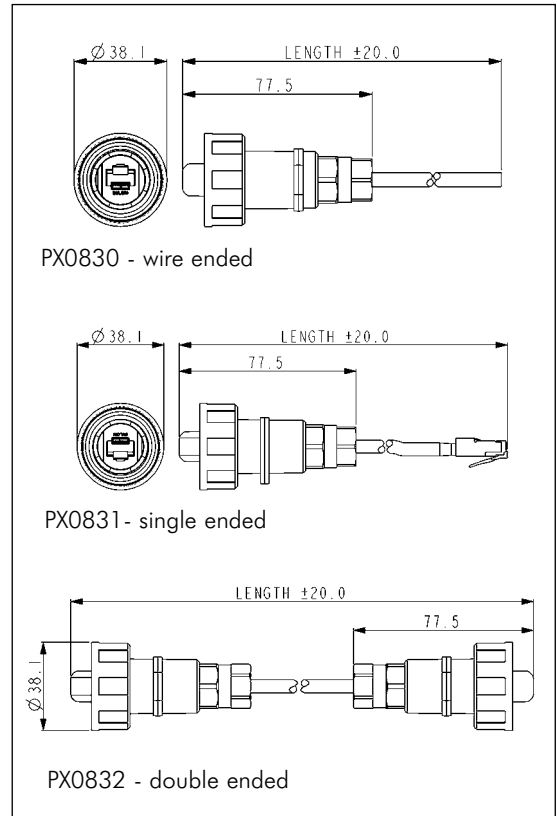
PATCH CORD FLEX CONNECTOR - PE JACKET CABLE



PX0830

- Mates with panel mounting connector (PX0833)
- Patchcords with IP68 connector
- Supplied with shielded RJ45 plug
- Single or double end terminated
- Standard lengths: 2m, 3m & 5m
- S-FTP cable construction
- PE jacket cable
- Wiring configuration to 568-B
- Exceeds EIA/TIA Cat 5e

Part no.	Type	Length	Description
PX0830/2M00	Wire end	2m	IP68 RJ Buccaneer to bare end
PX0830/3M00	Wire end	3m	IP68 RJ Buccaneer to bare end
PX0830/5M00	Wire end	5m	IP68 RJ Buccaneer to bare end
PX0831/2M00	Single ended	2m	IP68 RJ Buccaneer to Shielded RJ45
PX0831/3M00	Single ended	3m	IP68 RJ Buccaneer to Shielded RJ45
PX0831/5M00	Single ended	5m	IP68 RJ Buccaneer to Shielded RJ45
PX0832/2M00	Double ended	2m	IP68 RJ Buccaneer to IP68 RJ Buccaneer
PX0832/3M00	Double ended	3m	IP68 RJ Buccaneer to IP68 RJ Buccaneer
PX0832/5M00	Double ended	5m	IP68 RJ Buccaneer to IP68 RJ Buccaneer



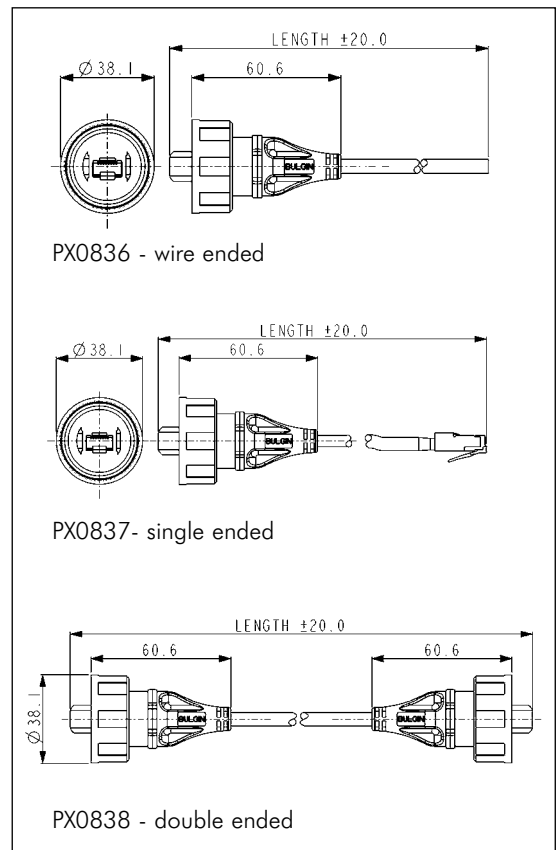
PATCH CORD FLEX CONNECTOR - PUR JACKET CABLE



PX0836

- Mates with panel mounting connector (PX0833)
- Patchcords with IP68 connector
- Supplied with shielded RJ45 plug
- Single or double end terminated
- Standard lengths: 2m, 3m & 5m
- S-FTP cable construction
- PUR jacket cable
- Wiring configuration to 568-B
- Exceeds EIA/TIA Cat 5e

Part no.	Type	Length	Description
PX0836/2M00	Wire end	2m	IP68 RJ Buccaneer to bare end
PX0836/3M00	Wire end	3m	IP68 RJ Buccaneer to bare end
PX0836/5M00	Wire end	5m	IP68 RJ Buccaneer to bare end
PX0837/2M00	Single ended	2m	IP68 RJ Buccaneer to Shielded RJ45
PX0837/3M00	Single ended	3m	IP68 RJ Buccaneer to Shielded RJ45
PX0837/5M00	Single ended	5m	IP68 RJ Buccaneer to Shielded RJ45
PX0838/2M00	Double ended	2m	IP68 RJ Buccaneer to IP68 RJ Buccaneer
PX0838/3M00	Double ended	3m	IP68 RJ Buccaneer to IP68 RJ Buccaneer
PX0838/5M00	Double ended	5m	IP68 RJ Buccaneer to IP68 RJ Buccaneer



**Ethernet Buccaneer®**

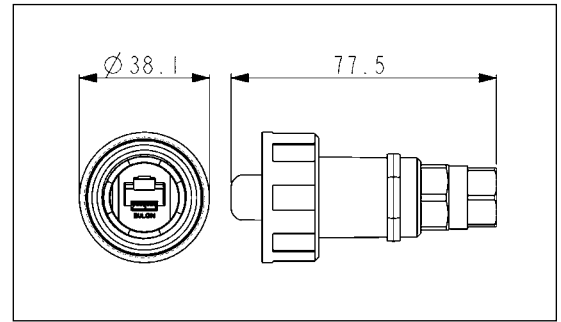
BUCCANEER

**RE-WIREABLE FLEX CONNECTOR**



**PX0834**

- Mates with panel mounting connector (PX0833)
- Supplied with shielded RJ45 plug
- Two versions:
  - for PE and PUR jacket cable (Cat 5e)
  - for other cable sizes from 3.5 to 8mm dia.



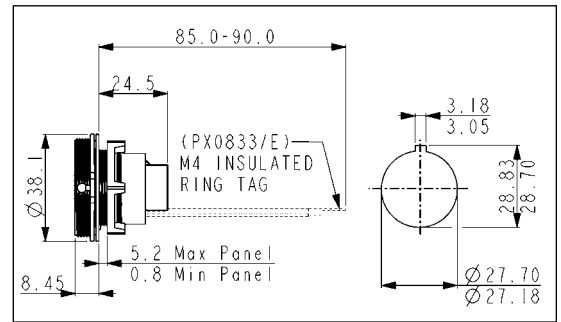
Part no.	Description
PX0834/A PX0834/B	Cable glands optimised for PE and PUR jacket cable to maintain Cat 5e performance Suitable for use with cables from 3.5 to 8mm diameter

**PANEL MOUNTING CONNECTOR**



**PX0833**

- Cat 5e shielded coupler
- Mates with PX0830, PX0836 and PX0834 flex connectors
- Standard patchcord can be plugged into rear
- Version with earth wire available
- Single hole fixing
- Complete with panel sealing gasket



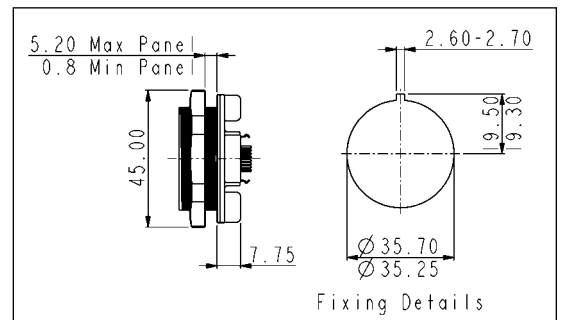
Part no.	Description	Fixing
PX0833 PX0833/E	Cat 5e coupler Cat 5e coupler + earth wire	Front panel mounted Front panel mounted

**PCB MOUNTING CONNECTOR**

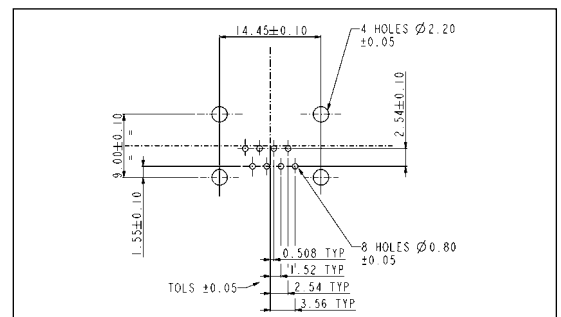


**PX0839/PC**

- Cat 5e shielded RJ45 interface
- Rear of panel mounted
- Mates with PX0830, PX0836 and PX0834 flex connectors
- For direct mounting to PCB
- Complete with panel sealing gasket



Part no.	Description	Fixing
PX0839/PC	Cat 5e coupler	Rear panel mounted



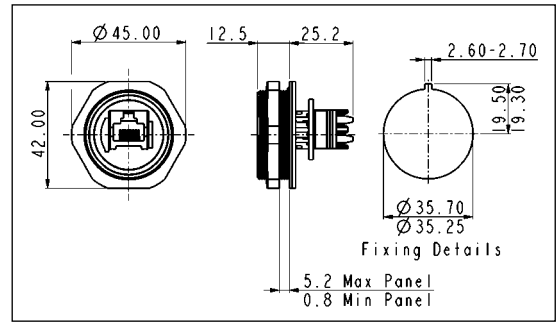
Ethernet Buccaneer®

PANEL MOUNTING CONNECTOR



PX0839/IDC

- Cat 5e shielded RJ45 interface
- Rear of panel mounted
- Mates with PX0830, PX0836 and PX0834 flex connectors
- IDC blocks for discreet termination
- Complete with panel sealing gasket



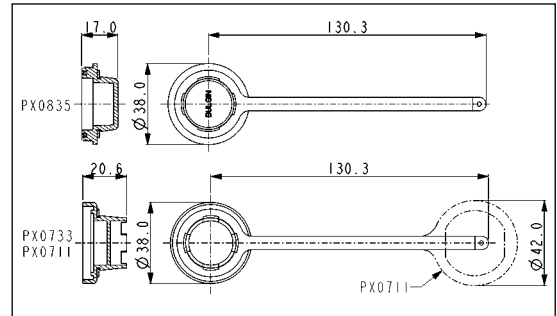
Part no.	Description	Fixing
PX0839/IDC	Cat 5e coupler	Rear panel mounted

ACCESSORIES



Sealing Caps

- Sealing caps to maintain IP68 rating when connectors are not in use
- Replacement shielded RJ45s
- Hand crimp tool for shielded RJ45
- Patch cord cable available in 50m reels



Part no.	Description
PX0835	Sealing Cap for flex connectors (PX0830-832, PX0834, PX0836-838)
PX0733	Sealing Cap for panel mounting connector (PX0833)
PX0711	Sealing Cap for rear panel mounting connector (PX0839)
14151	Hand crimp tooling + die set
14152	PE Jacket Cable - 50m reel
14199	PUR Jacket Cable - 50m reel
14150	Replacement shielded RJ45

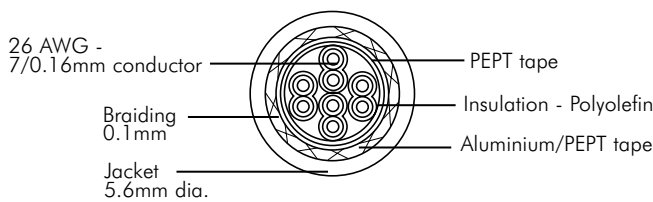
**SPECIFICATION**

**Stranded S-FTP Patch cord cable - PE and PUR Jacket**

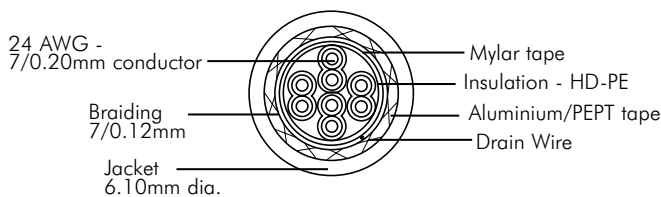
A choice of two cables with internal construction exceeding Cat 5e performance levels. The Polyethylene (PE) jacket is designed to cope with the rigours that applications in external environments demand. The outer sheath provides good levels of resistance to water, oils and chemicals, will not crack with prolonged exposure to water or UV, and provides good abrasion resistance. The Polyurethane (PUR) jacket has excellent abrasion, chemical and ozone resistance, low smoke, low halogen flame retardant construction suitable for internal and external industrial environments.

Construction	Polyethylene (PE) Jacket	Polyurethane (PUR) Jacket
Conductors	26AWG (7/0.16mm) bare copper	24AWG (7/0.2mm) bare copper
Insulation	Polyolefin (0.94mm nominal)	HD-PE
Pair	2 of the above cores twisted	2 of the above cores twisted
Core	4 of the above cores	4 of the above cores
Tape	1 lap PEPT tape	1 lap mylar tape
Screen	1 layer PEPT and aluminium tape. 0.1mm tinned copper braid	1 layer mylar and aluminium tape, tape, 0.12mm tinned copper braid
Sheath	PE Jacket Black	PUR Jacket Black
Op Temperature	-25°C to +60°C	-25°C to +85°C
Min. bend radius	8 x o/d (installation)	10 x o/d (installation)
Min. bend radius	4 x o/d (installed)	6 x o/d (installed)
Diameter	5.6mm nominal	6.1mm nominal
<b>Electrical @ 20°C</b>		
Characteristic Impedance	100Ω ± 15Ω @ 100MHz	100Ω ± 15Ω @ 100MHz
Capacitance	1600pF/km	330pF/km
Conductor Loop resistance	29Ω/100m maximum	29Ω/100m maximum
Skew	40 nsec/100m @ 100MHz	45 nsec/100m @ 100MHz
TIA/EIA Rating	Cat 5e	Cat 5e

**Cable constructions**



**Polyethylene (PE) Jacket**



**Polyurethane (PUR) Jacket**

**Re-wireable and Panel mounted connectors**

<b>Mechanical</b>	
Sealing	IP68, EN60529
<b>Materials</b>	
Connector Body	Polyester
Flammability rating	UL94V-0
'O' rings	Silicon
Panel Gasket	Silicon
Operating Temperature	-20°C to +70°C
<b>RoHS</b>	Compliant
<b>RJ45 Plug</b>	
<b>Materials</b>	
Moulding	Polycarbonate
Flammability	UL94V-0
Contact material	Phosphor Bronze
Contact plating	50 micron gold
Operating Temperature	-40°C to +70°C
Mating cycles	1,000 cycles
<b>RoHS</b>	Compliant
<b>Electrical</b>	
No. Conductors	8
Current rating	1.5A
Voltage rating	30V ac, 42V dc
Contact resistance	10mΩ max.
Performance	Cat 5e
<b>RJ45 Coupler</b>	
<b>Materials</b>	
Coupler Shell	Copper Alloy
Coupler Plating	Nickel
Moulding	ABS
Flammability	UL94V-0
Contact material	Phosphor Bronze
Contact plating	50 micron gold
Operating Temperature	-40°C to +70°C
Mating cycles	1,000 cycles
<b>RoHS</b>	Compliant
<b>Electrical</b>	
No. Conductors	8
Current rating	1.5A
Voltage rating	30V ac, 42V dc
Contact resistance	10mΩ max.
Performance	Cat 5e

BUCCANEER

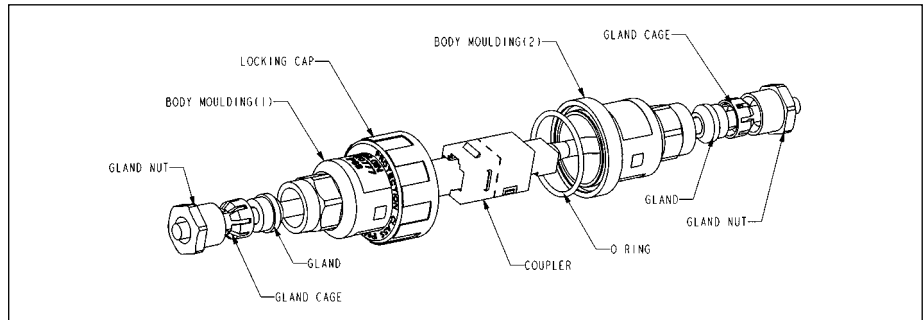
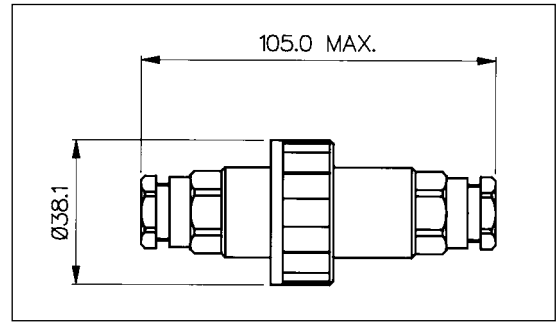
Ethernet Buccaneer®

CABLE JOINER



PX0777

- IP68 Rating
- For Sealed In-Line RJ45 Connections
- Supplied Complete with Coupler
- Shielded (STP) & Unshielded (UTP) versions
- Cat5e Shielded Coupler also available
- Cable Range 3.5 - 8mm (with glands supplied)



Specification	PX0777/UTP	PX0777/STP	PX0777/CAT5ESTP
Rating:	1.5A, 30V a.c., 42V d.c.	1.5A, 30V a.c., 42V d.c.	1.5A, 30V a.c., 42V d.c.
No. of Conductors:	8	8	8
Coupler Type:	Unshielded	Shielded	Shielded CAT5e performance
Cable Range:	3.5 - 8mm (with glands supplied)	3.5 - 8mm (with glands supplied)	3.5 - 8mm (with glands supplied)
Material:	Glass Filled Polyamide UL94V-0	Glass Filled Polyamide UL94V0	Glass Filled Polyamide UL94V-0
Sealing:	IP68 to BSEN 60529 : 1977	IP68 to BSEN 60529 : 1977	IP68 to BSEN 60529 : 1977
Operating Temp. Range:	-20°C to +70°C	-20°C to +70°C	-20°C to +70°C
Colour:	Black	Black	Black
<b>RoHS</b>	Compliant	Compliant	Compliant