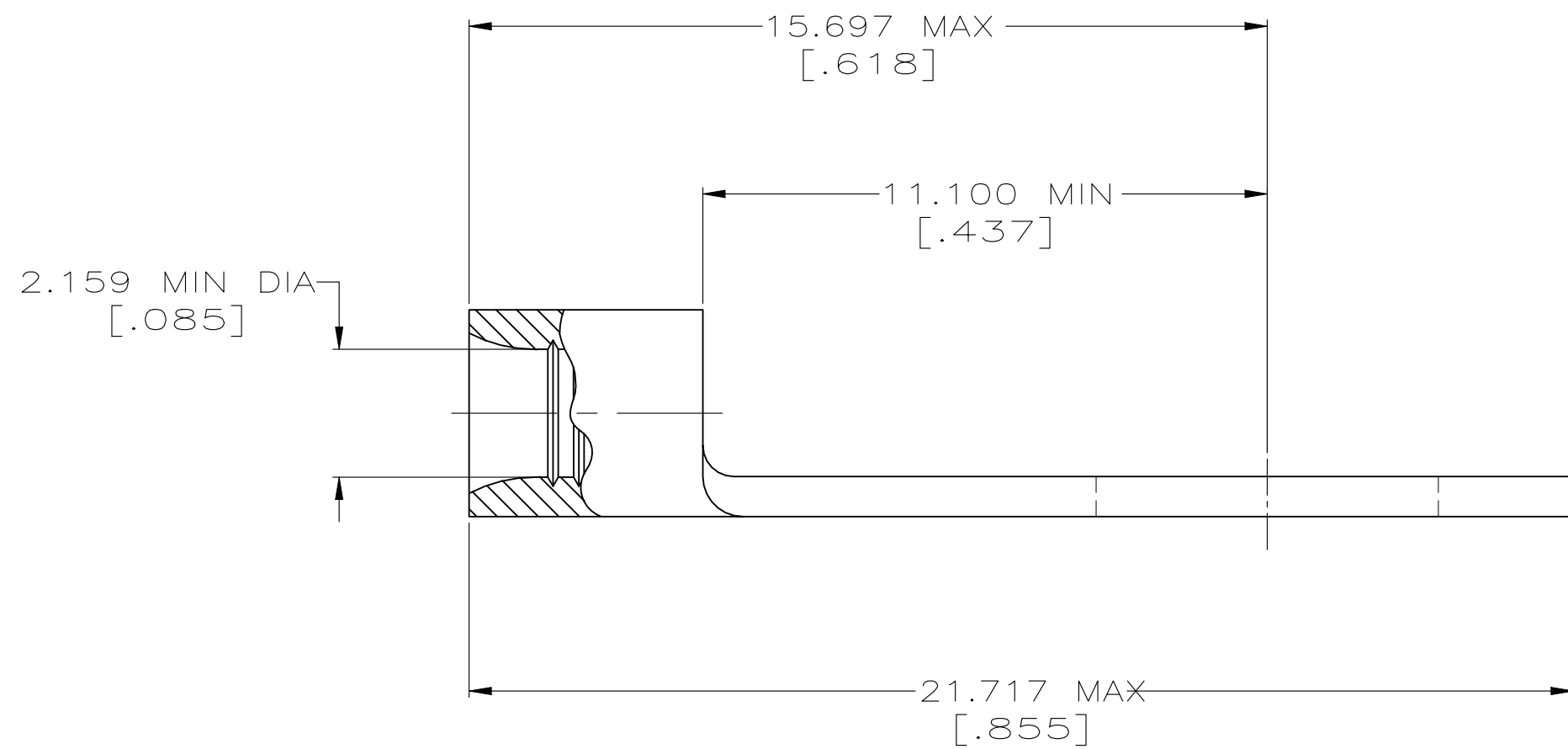
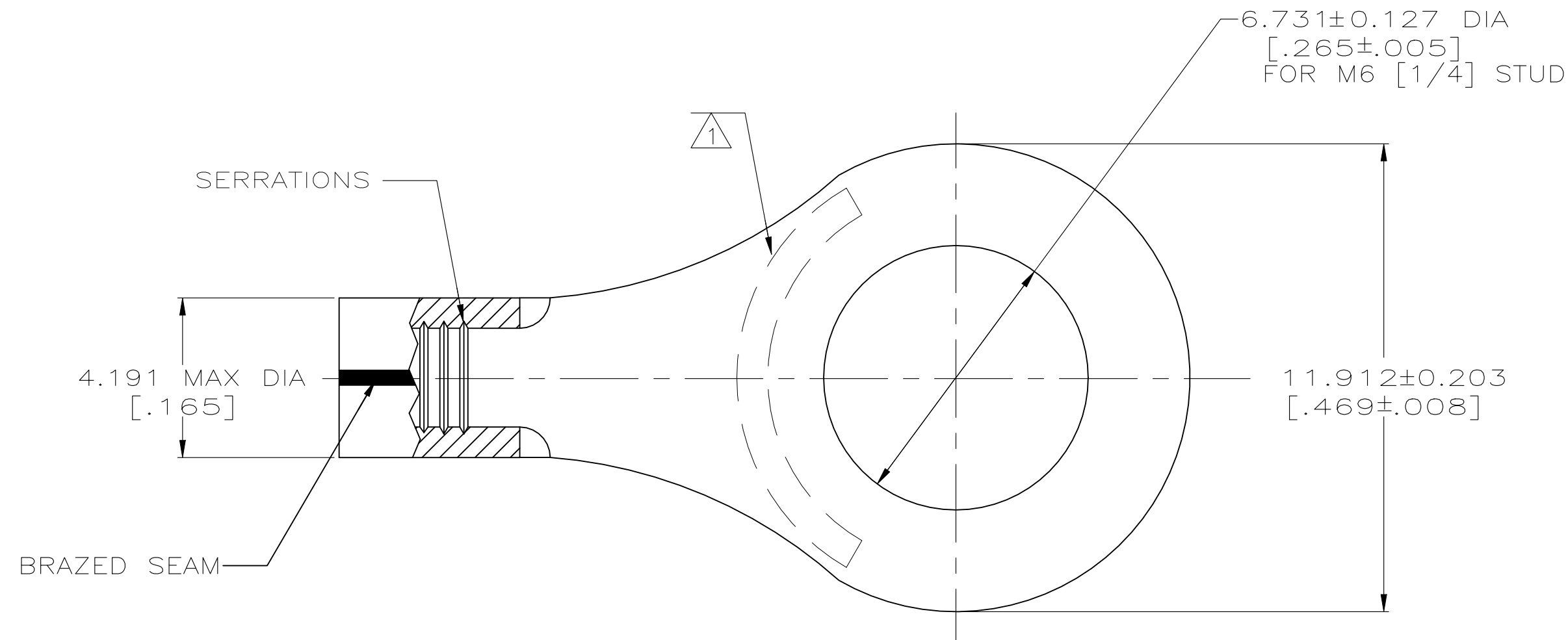


REVISIONS					
P	LTR	DESCRIPTION	DATE	DWN	APVD
E2		REVISED PER ECO-21-006061	21MAY2021	RK	DR



AMP WIRE RANGE	E13288 Listed
16-14 AWG SOLID OR STRANDED	16-14 AWG SOLID OR STRANDED

LR7189 Certified
16-14 AWG SOLID OR STRANDED

- ① STAMP AMP 16-14* APPROX AS SHOWN
- ② FINISH: TIN PLATE 0.00254 [.000100] MIN EXT THK PER ASTM B545.
- ③ FINISH: CLEANED, UNPLATED
- ④ MATERIAL: COPPER PER ASTM B152
- 5. MATERIAL THICKNESS: 0.787±0.051 [.031±.002]

FINISH	QUANTITY	PACKAGING TYPE	PART NO
③	1000	LOOSE PIECE	34124-1
②	100	LOOSE PIECE, BOX	8-34124-1
	5000	ON TAPE	2-34124-1
	1000	LOOSE PIECE	34124

AMP INCORPORATED CUSTOMER SERVICE SYSTEMS		MAX RECOMMENDED OPERATING TEMPERATURE: 170° C (338 F) MAX
FOR ADDITIONAL PRODUCT INFORMATION OR COPIES OF DRAWINGS AND TECHNICAL DOCUMENTS	PRODUCT INFORMATION CENTER 1-800-522-6752	VOLTAGE RATING: NOT APPLICABLE
FOR APPLICATION TOOLING INFORMATION	TOOLING ASSISTANCE CENTER 1-800-722-1111	WIRE CROSS SECTIONAL AREA RANGE: 1.04-2.62mm ² [2,050-5,180] CIR MILS SOLID OR STRANDED
FOR ORDER ENTRY	1-800-526-5142	THIS DRAWING IS A CONTROLLED DOCUMENT FOR AMP INCORPORATED. IT IS SUBJECT TO CHANGE AND THE CONTROLLING ENGINEERING ORGANIZATION SHOULD BE CONTACTED FOR THE LATEST REVISION.

THIS DRAWING IS A CONTROLLED DOCUMENT.		DWN TA BRINKMAN 3-17-93	TE Connectivity	
DIMENSIONS: INCHES		CHK DA PATTERSON 3-17-93		
TOLERANCES UNLESS OTHERWISE SPECIFIED:		APVD DE MILLER 3-17-93	NAME	
0 PLC ± -		PRODUCT SPEC	TERMINAL, RING	
1 PLC ± -		APPLICATION SPEC	TONGUE, SOLISTRAND	
2 PLC ± -			WIRE SIZE: 16-14 AWG	
3 PLC ± 0.127 [.005]			SIZE	CAGE CODE
4 PLC ± -			A2	00779
ANGLES ± -			DRAWING NO	RESTRICTED TO
MATERIAL		FINISH	C=34124	-
④		SEE TABLE	SCALE	SHEET
			8:1	1 OF 1
			CUSTOMER DRAWING	REV E2

Mouser Electronics

Authorized Distributor

Click to View Pricing, Inventory, Delivery & Lifecycle Information:

[TE Connectivity:](#)

[2-34124-1](#)