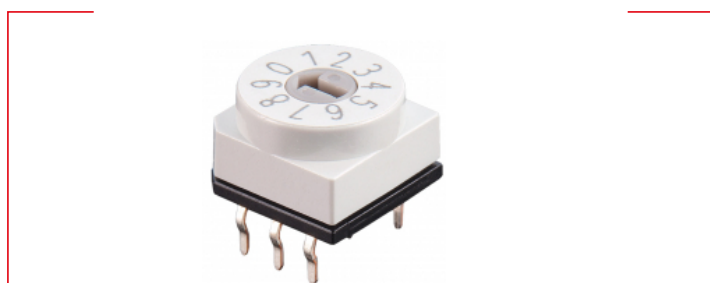




Technical data // **PT65 5 03 - -**

Rotary Code Switch

Through Hole Technology



Highlights

- Solid PCB pins
- Contacts with abrasion resistant hard gold plating
- Extra sealed design
- Switches are solder and flux sealed and washable
- Excellent detent, once more improved
- 100 % electronic inspection and testing

Mechanical Data

Type	horizontal
Fixation mode	THT
Height	6.5 mm
Length	10.0 mm
Width	10.0 mm
Pin connection	3+3
Torque	(typically) 1.7 Ncm
Mechanical lifetime	30.000 steps
Positions per rotation	10 16 - more versions on request
Perm. ambient temperature	-40 °C ... +85 °C
Perm. storage temperature	-40 °C ... +85 °C
Degree of protection	comparable IP67
Sealing	O-Ring
Humidity	21 days at 40 °C, 93 %RH
Sinus-vibration testing	acc. IEC 68-2-6
Frequency range	10 Hz ... 500 Hz ... 10 Hz, sliding
Amplitude	6.0 mm
Acceleration	10.0 g
Shock testing	acc. IEC 68-2-27
Shock acceleration amplitude	50.0 g
Duration of nominal shock	11.0 ms
Directions	6 ($\pm x$, $\pm y$, $\pm z$) 3 times each
Wave soldering	Single Wave



Technical data

// PT65 5 03 - -

Rotary Code Switch

Through Hole Technology

Mechanical Data

Iron soldering 2 s / 340 °C

Electrical Data

Operating voltage ≤ 42.0 V

Standby current ≤ 0.2 A

Contact load, dynamic ≤ 0.15 A

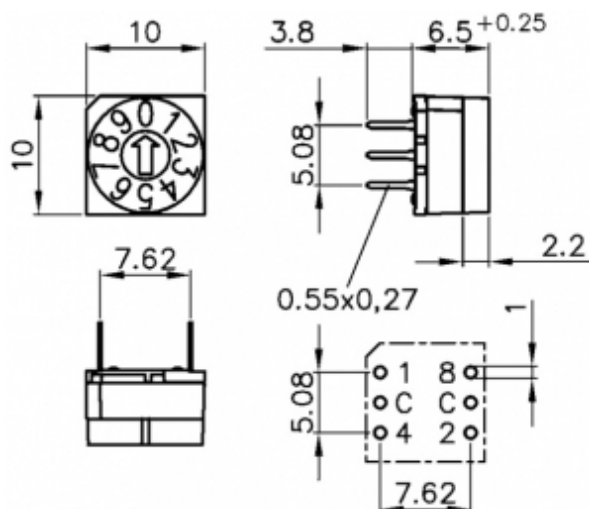
Minimum load $1.0 \mu\text{A}$ 20.0 mVDC

Test voltage 250.0 V 50 Hz / 1.0 min

Contact resistance < 80.0 mOhm

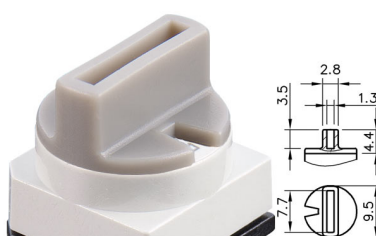
Insulation resistance > 100.0 MOhm

Technical Drawing



Configuration

Actuators



Segment wheel



Technical data

// PT65 5 03 - -

Rotary Code Switch

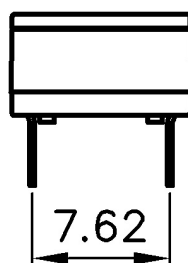
Through Hole Technology

Codes

Hexadezimal Typ 03						
	C	1	2	4	8	
0	●					0
1	●	●				●
2	●		●			2
3	●	●	●			●
4	●			●		4
5	●	●		●		●
6	●		●	●		6
7	●	●	●	●		●
8	●				●	8
9	●	●			●	●
10	●		●		●	A
11	●	●	●		●	●
12	●			●	●	C
13	●	●		●	●	●
14	●		●	●	●	E
15	●	●	●	●	●	●

Hexadecimal, 16

Contact pins



straight



PTR HARTMANN

A Phoenix Mecano Company

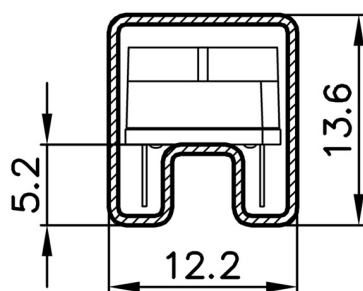
Technical data

// **PT65 5 03 - -**

Rotary Code Switch

Through Hole Technology

Packing depending on acutator



Tube for PT65 7...