

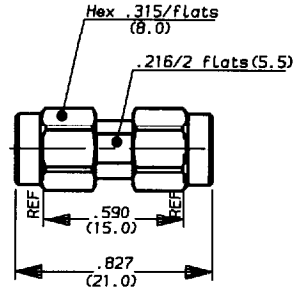
# SMA IN SERIES ADAPTERS

SMA in series adapters are used to join various combinations of SMA connectors and have captured center contacts.

## Plug to plug



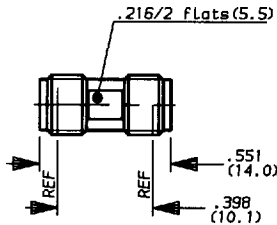
|                 |                      |
|-----------------|----------------------|
| PART NUMBER     | <b>R 125 703 001</b> |
| Frequency range | DC – 18 GHz          |
| V.S.W.R.        | 1.05 + 0.005F (GHz)  |



See footnote 1.

## Jack to jack

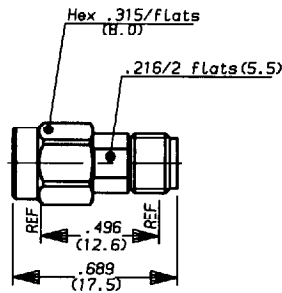
|                 |                      |
|-----------------|----------------------|
| PART NUMBER     | <b>R 125 705 001</b> |
| Frequency range | DC – 18 GHz          |
| V.S.W.R.        | 1.05 + 0.005F (GHz)  |



See footnote 1.

## Plug to jack

|                 |                      |
|-----------------|----------------------|
| PART NUMBER     | <b>R 125 704 001</b> |
| Frequency range | DC – 18 GHz          |
| V.S.W.R.        | 1.05 + 0.005F (GHz)  |

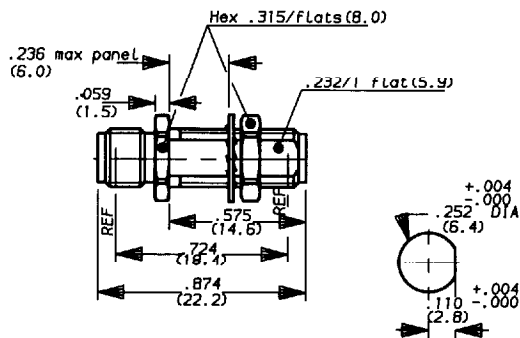


See footnote 1.

## Bulkhead feedthrough jack to jack



|                 |                      |
|-----------------|----------------------|
| PART NUMBER     | <b>R 125 720 001</b> |
| Frequency range | DC – 18 GHz          |
| V.S.W.R.        | 1.05 + 0.005F (GHz)  |



See footnote 1.

The standard units have passivated stainless steel finish. For gold plated version, change the last digit from 1 to 0 : Ex R 125 703