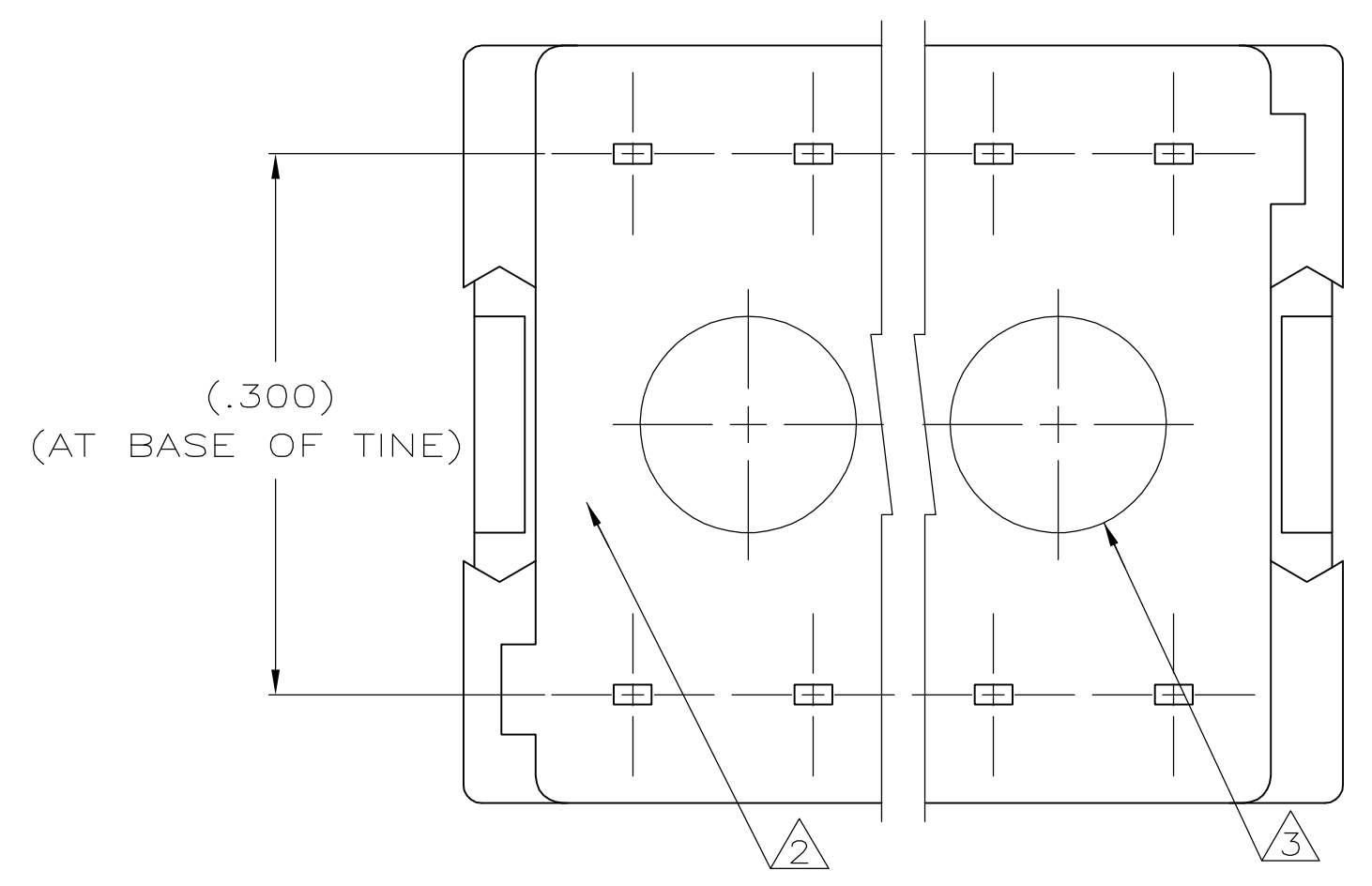
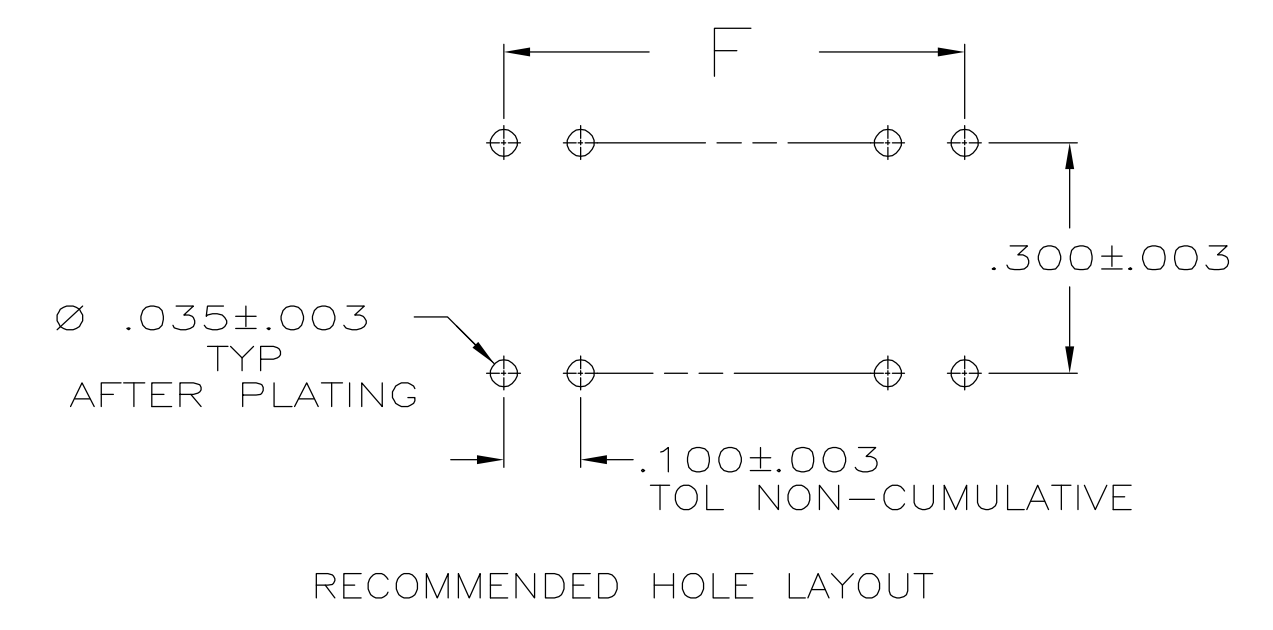
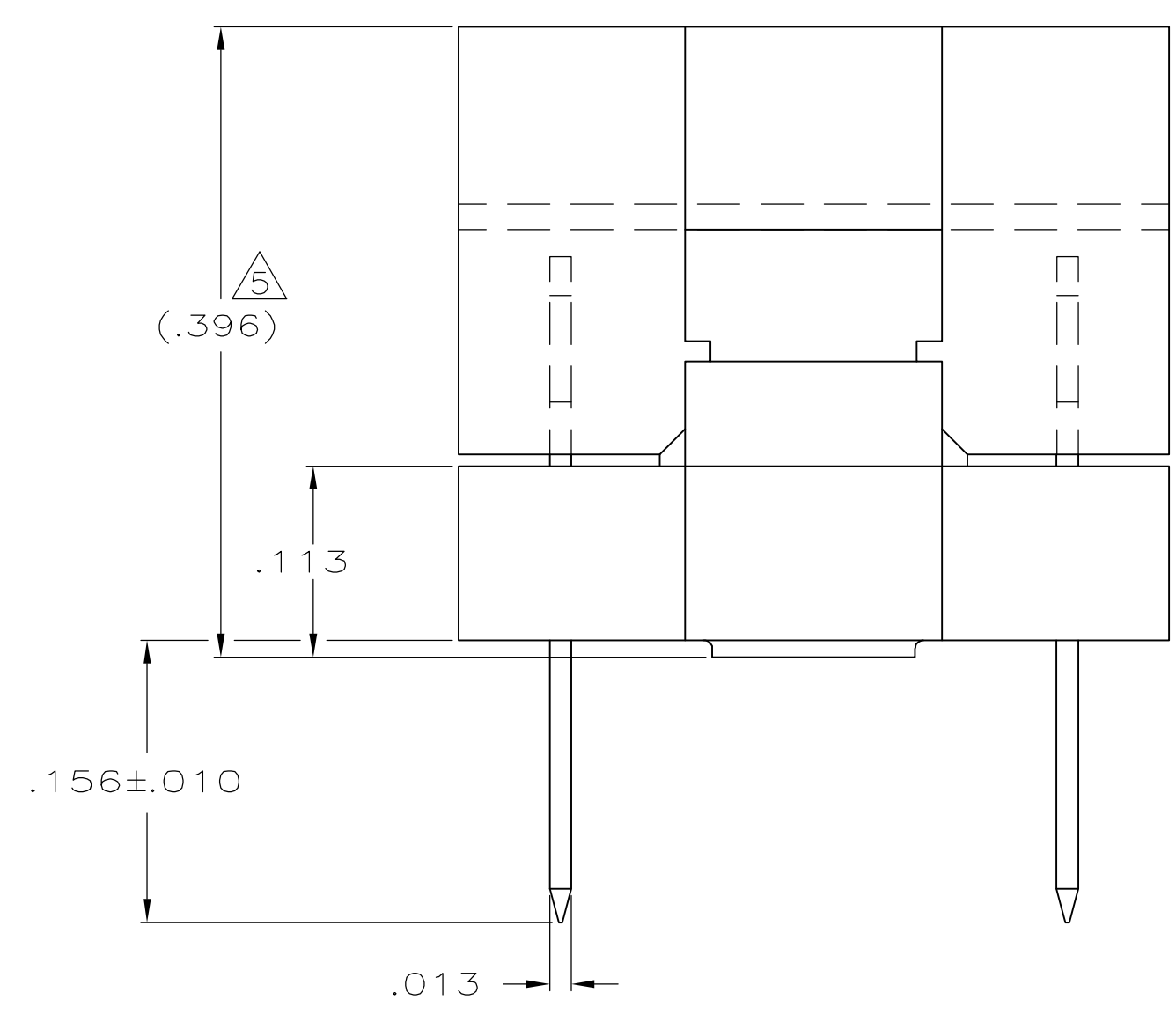
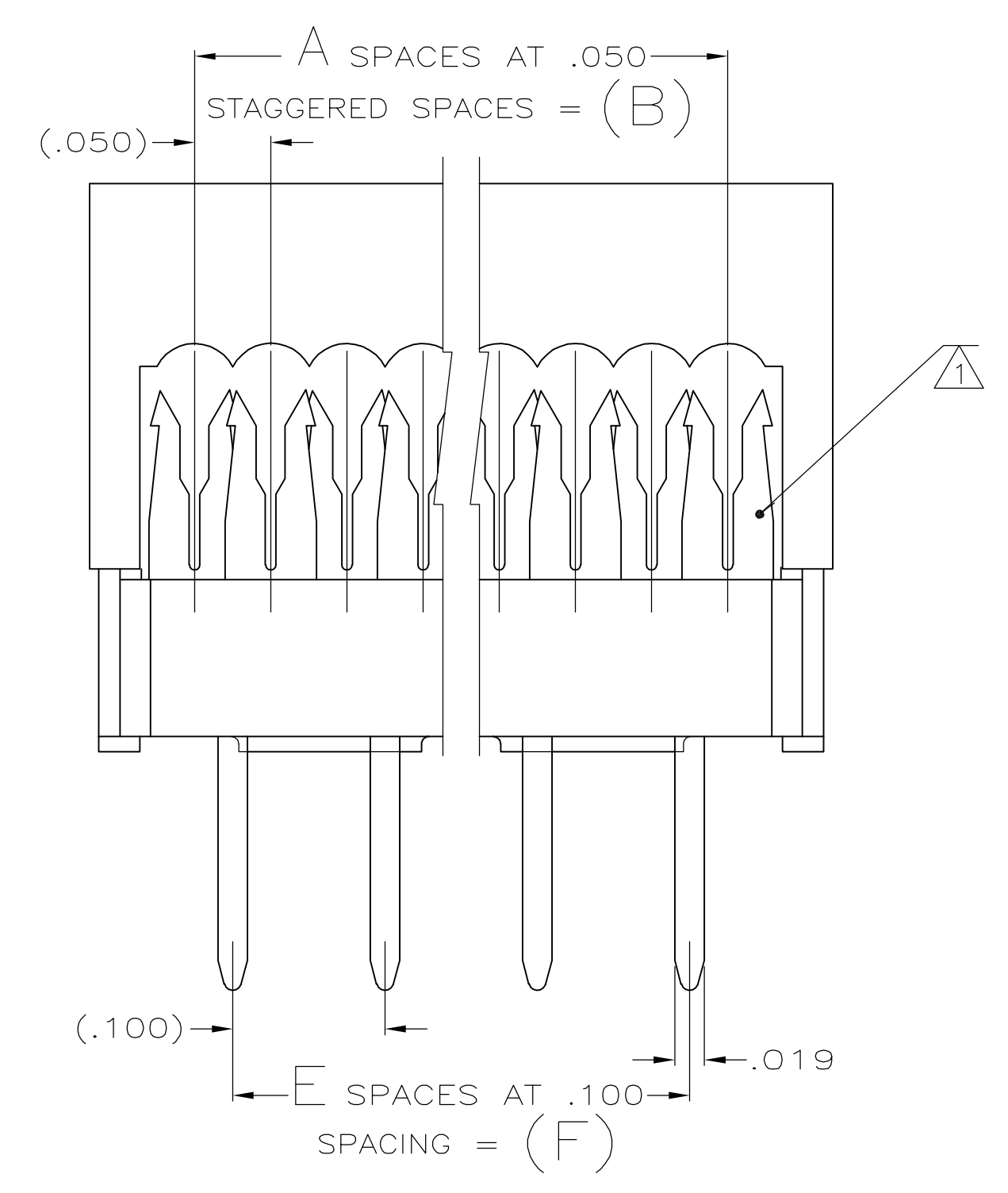
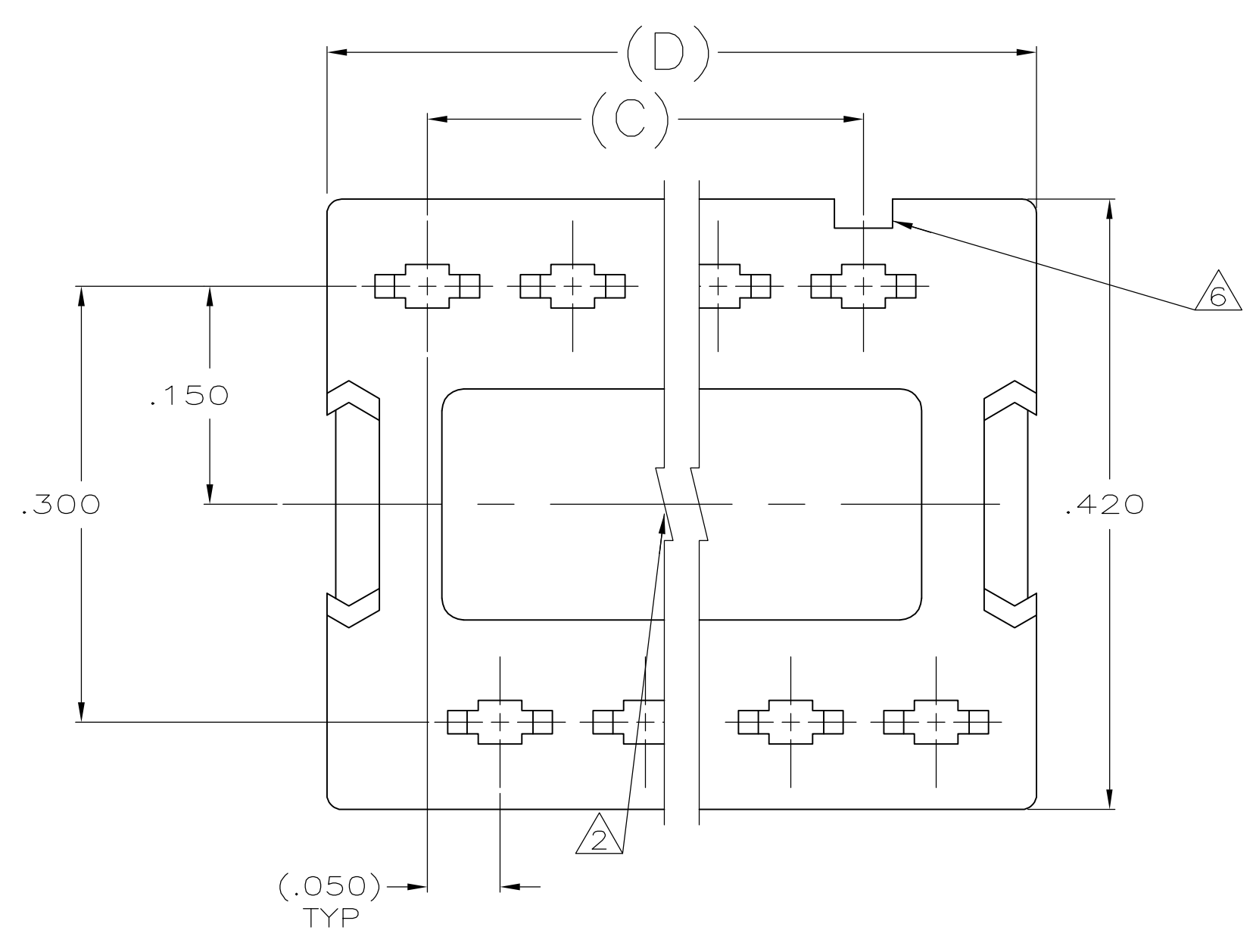


- ① CONTACTS DESIGNED FOR 28 AWG STRANDED OR 26,28, & 30 AWG SOLID WIRE.
- ② AMP TRADEMARK LOCATED IN APPROX AREA SHOWN.
- ③ STANDOFFS: POSN 8 (2) STANDOFFS AS SHOWN. POSN 14-20 (3) STANDOFFS, (1) CENTERED BETWEEN (2) SHOWN
- ④ .000005 MIN GOLD ON RIBBON CABLE TERMINATION AREA
.000100-.000200 MATTE TIN ON SOLDER TAILS, ALL OVER
.000050 MIN NICKEL.
- ⑤ HEIGHT AFTER TERMINATION IS (.253).
- ⑥ INDICATES NO 1 POSITION.
- ⑦ MOLDED PARTS: 94V-0 RATED THERMOPLASTIC, COLOR BLACK.
CONTACTS: PHOS BRONZE



OBSOLETE	.900	9	1.088	.900	.950	19	20	5746613-5
OBSOLETE	.800	8	.988	.800	.850	17	18	-4
	.700	7	.888	.700	.750	15	16	-3
	.600	6	.788	.600	.650	13	14	-2
	.300	3	.488	.300	.350	7	8	5746613-1
	F	E	D	C	B	A	NO OF POSN	

THIS DRAWING IS A CONTROLLED DOCUMENT.

DIMENSIONS: INCHES	TOLERANCES UNLESS OTHERWISE SPECIFIED:	DIN G. ATTADIA - 11-29-04	11-29-04	11-29-04	11-29-04	11-29-04	11-29-04	11-29-04
0 PLC ± -	1 PLC ± -	2 PLC ± -	3 PLC ± .005	4 PLC ± -	ANGLES ± -	APVD M. WALMSLEY	NAME	11-29-04
MATERIAL	FINISH	WEIGHT	SIZE	CAGE CODE	DRAWING NO	RESTRICTED TO	KIT, AMP-LATCH DIP PLUG, PREASSEMBLED .100 X .300 CENTERS.	
⑦	④	-	A1	00779	5746613	-	CUSTOMER DRAWING	SCALE NTS SHEET 1 OF 1 REV B