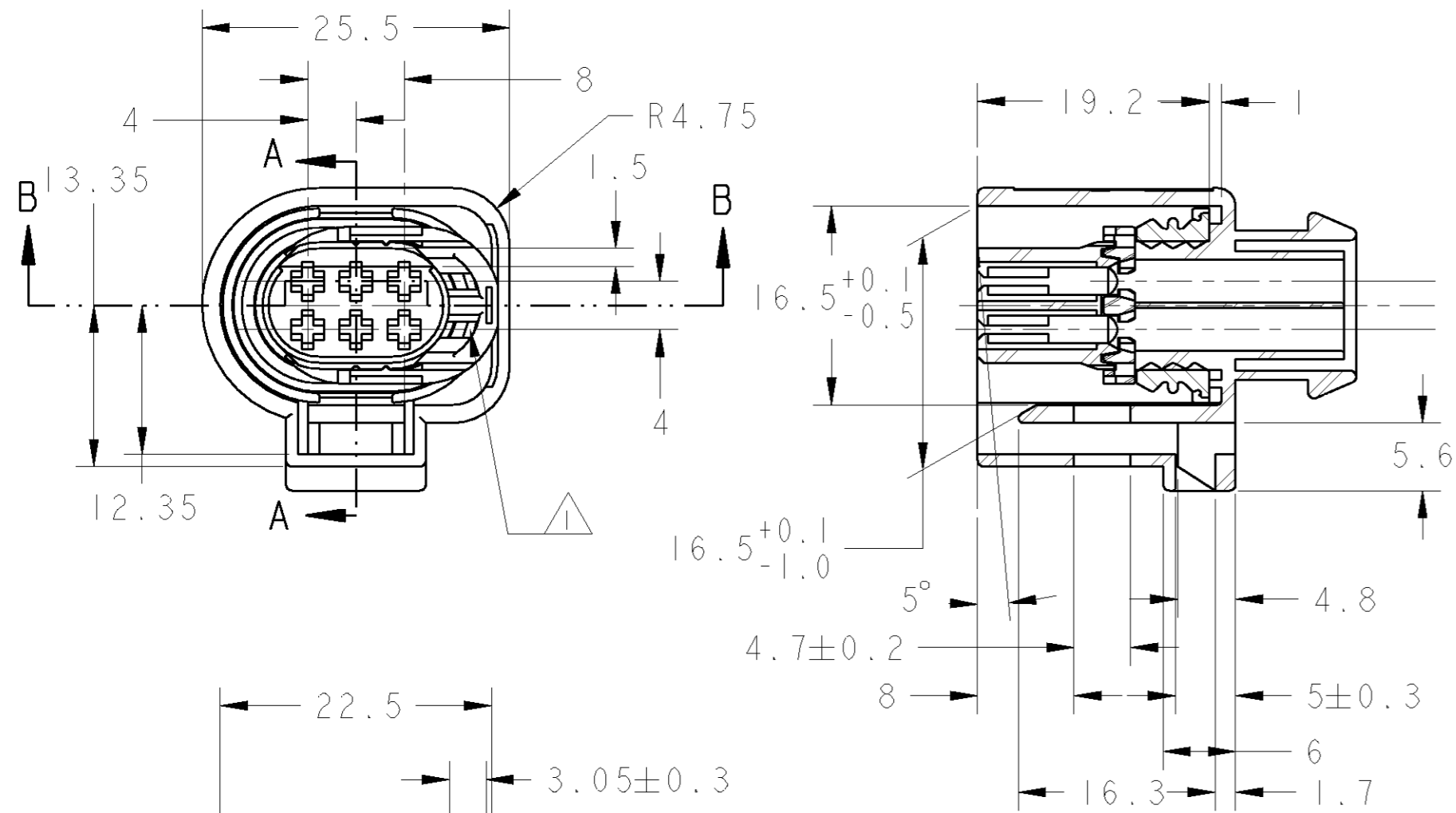
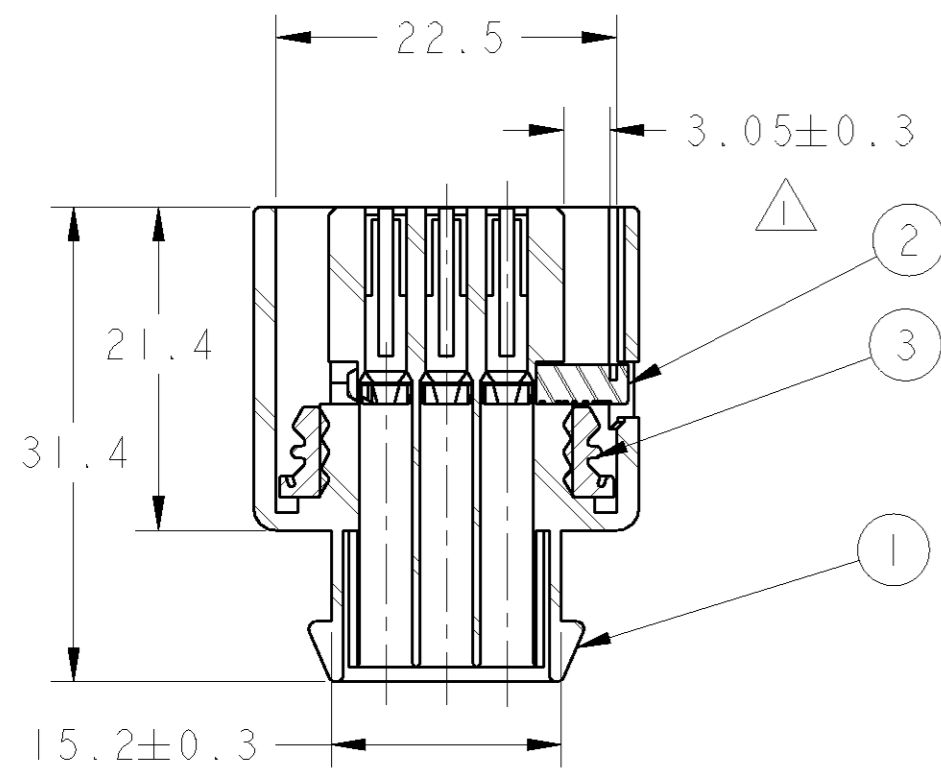


THIS DRAWING IS UNPUBLISHED. RELEASED FOR PUBLICATION  
 © COPYRIGHT - BY TYCO ELECTRONICS CORPORATION. ALL RIGHTS RESERVED.

LOC	DIST	REVISIONS			
P	LTR	DESCRIPTION	DATE	DWN	APVD
ES	00				
	0	NEW RELEASED	05APR2005	S.X	K.O
	01	LETTER MISTAKE CORRECTION	15SEP2005	S.X	K.O



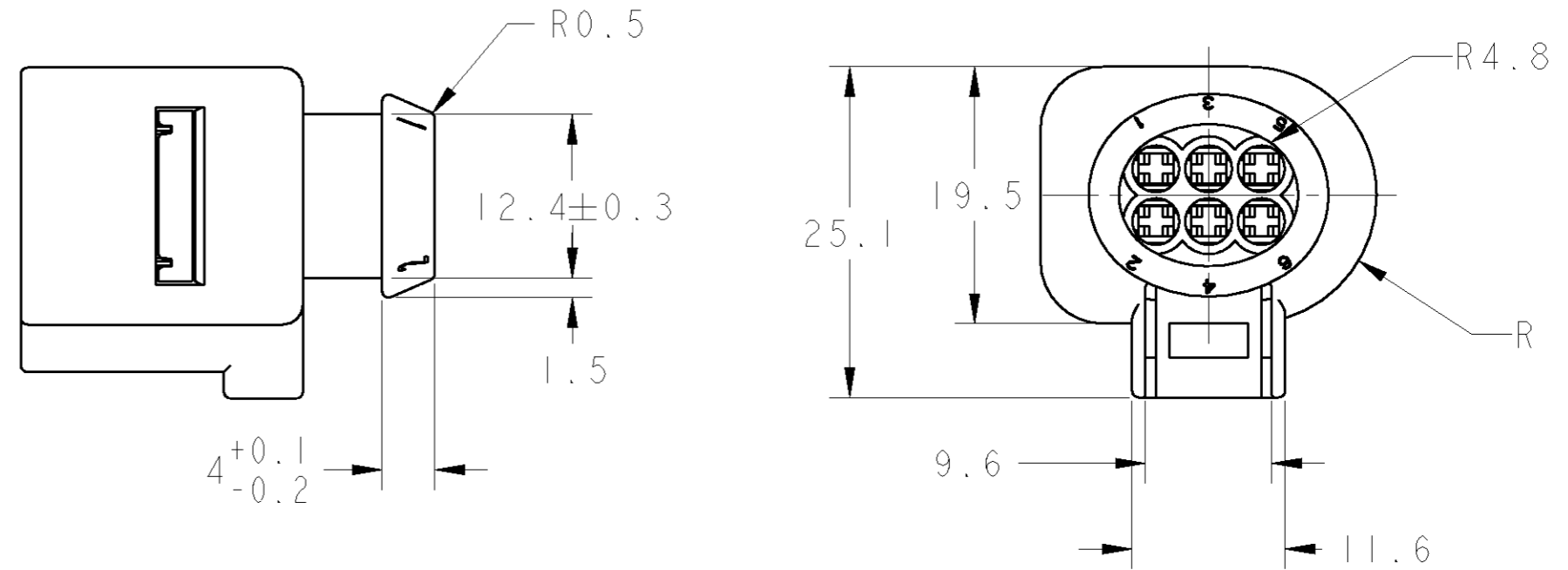
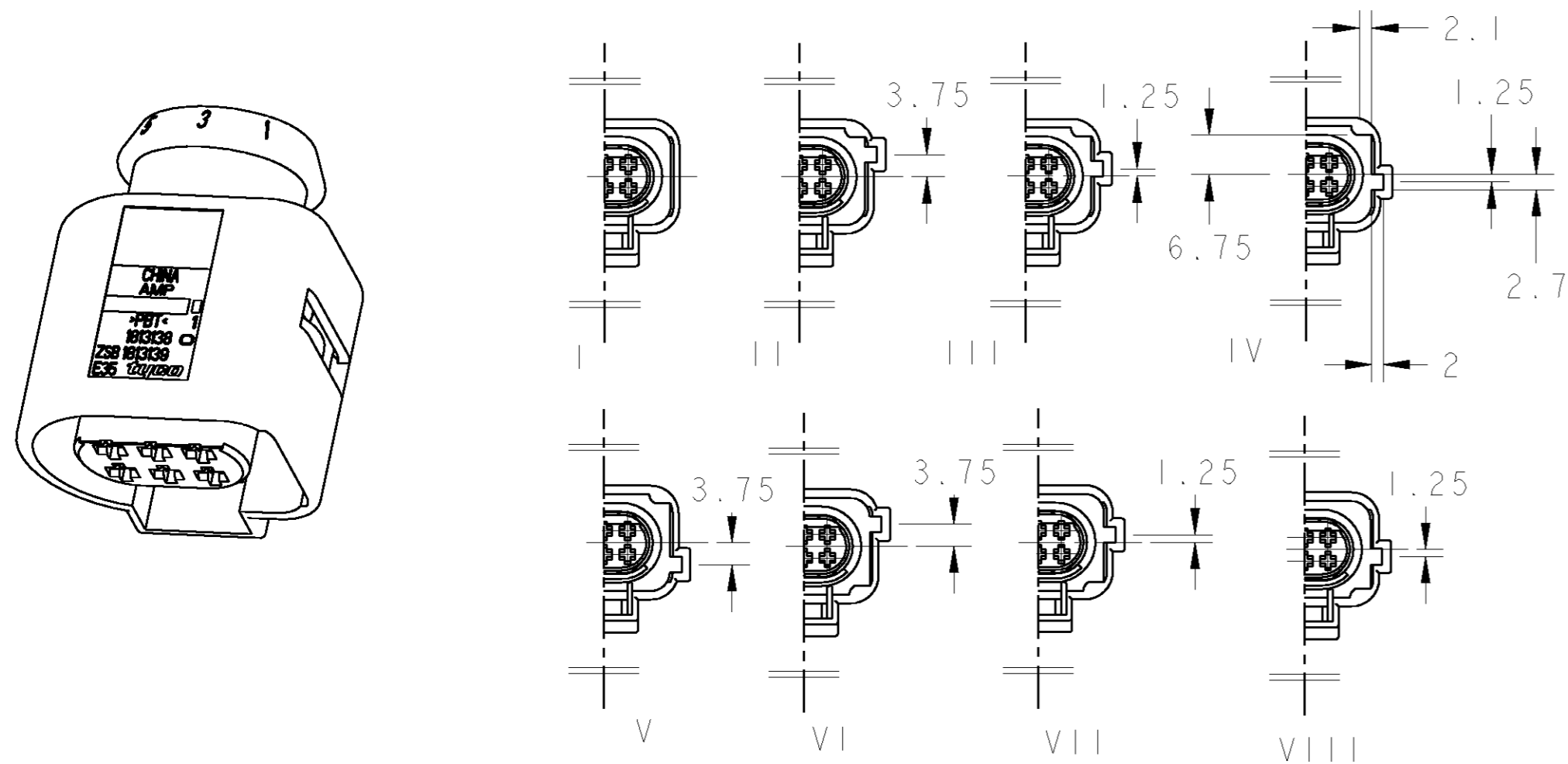
SECTION A-A



SECTION B-B

NOTES

- 1 SHOWN AS SUPPLIED: RETAINER IN PRE-LOCKED POSITION
- 2 BULK PACKAGED



CODE	ASSY NO.	MATERIAL	COLOR FINISH	DESCRIPTION	QTY	ITEM NO.
VIII	1813139-6	MVQ	ORANGE RAL 2004	SEAL RING , 6POSN.	1	3
		PBT GF10	GRAY RAL 7036	PLUG DBL PL. 6POSN.	1	2
		PBT	BLACK RAL 9011	PLUG HSG, 6POSN.	1	1
VIII	1813139-5	MVQ	ORANGE RAL 2004	SEAL RING , 6POSN.	1	3
		PBT GF10	VIOLET RAL 4006	PLUG DBL PL. 6POSN.	1	2
		PBT	GRAY RAL 7036	PLUG HSG, 6POSN.	1	1
V	1813139-4	MVQ	ORANGE RAL 2004	SEAL RING , 6POSN.	1	3
		PBT GF10	BLUE RAL 5012	PLUG DBL PL. 6POSN.	1	2
		PBT	BLACK RAL 9011	PLUG HSG, 6POSN.	1	1
II	1813139-3	MVQ	ORANGE RAL 2004	SEAL RING , 6POSN.	1	3
		PBT GF10	BROWN RAL 8012	PLUG DBL PL. 6POSN.	1	2
		PBT	BLACK RAL 9011	PLUG HSG, 6POSN.	1	1
II	1813139-2	MVQ	ORANGE RAL 2004	SEAL RING , 6POSN.	1	3
		PBT GF10	VIOLET RAL 4006	PLUG DBL PL. 6POSN.	1	2
		PBT	BROWN RAL 8012	PLUG HSG, 6POSN.	1	1
I	1813139-1	MVQ	ORANGE RAL 2004	SEAL RING , 6POSN.	1	3
		PBT GF10	VIOLET RAL 4006	PLUG DBL PL. 6POSN.	1	2
		PBT	BLACK RAL 9011	PLUG HSG, 6POSN.	1	1

THIS DRAWING IS A CONTROLLED DOCUMENT FOR TYCO ELECTRONICS CORPORATION. IT IS SUBJECT TO CHANGE AND THE CONTROLLING ENGINEERING ORGANIZATION SHOULD BE CONTACTED FOR THE LATEST REVISION.

DWN: S.XUE 02JUN2005  
 CHK: R.ZHOU 02JUN2005  
 APVD: K.ODA 02JUN2005

**tyco Electronics** Tyco Electronics AMP Shanghai, China

NAME: MT 6POSN PLUG HOUSING ASSY

SIZE: A2 CAGE CODE: 00779 DRAWING NO: 1813139 RESTRICTED TO: [ ]

MATERIAL: SEE TABLE TOLERANCES UNLESS OTHERWISE SPECIFIED: ±0.25

PRODUCT SPEC: - APPLICATION SPEC: - WEIGHT: -

CUSTOMER DRAWING SCALE: 2:1 SHEET 1 OF 1 REV: 01