

## MICRO SWITCH™ Compact Limit Switches NGC Series

002409

Issue 2

Datasheet



### DESCRIPTION

Honeywell's MICRO SWITCH™ Compact Limit Switches, NGC Series, are a configurable platform of medium-duty switches that allow the customer to choose SPDT (single pole, double throw) or DPDT (double pole, double throw) circuitry while maintaining the same housing and mounting footprint throughout the NGC Series. MICRO SWITCH™ NGC Series can be configured more than 380,000 ways, carries global approvals, and are sealed to IP67 for potential use in indoor and outdoor applications.

### VALUE TO CUSTOMERS

- **Cost-effective:** Provides a single source for a compact SPDT and DPDT limit switch, which can help minimize the Original Equipment Manufacturer's sourcing expenses by simplifying their supply chain
- **Versatile:** Durable packaging allows for use in many harsh indoor or outdoor applications, providing performance confidence
- **Configurable:** Allows design engineers to standardize on a single footprint while meeting a variety of electrical requirements
- **Application support:** Customers with a global footprint can count on Honeywell for regional support for new applications and troubleshooting

### DIFFERENTIATION

- With two times the vibration (10 g) and shock (50 g) ratings of comparable competitive devices, the NGC Series can be implemented in the harshest of environmental conditions, providing enhanced reliability and repeatability
- Broader current capacity (10 A) than comparable devices allows for potential use in a wider set of applications, making platform standardization an easier task

### FEATURES

- SPDT or DPDT configurable circuitry
- Snap-action, positive-break contacts
- Silver alloy and gold plated contact options
- UL, CE, cUL, and CCC approvals
- NEMA 1, 4, 12, 13; IP67 sealing
- Metal and plastic housing options
- Cable and connector terminations
- Variety of heads and actuator levers

### POTENTIAL INDUSTRIAL APPLICATIONS

- Boom position detection
- Elevators and escalators
- Machine tools
- Mobile light towers
- Packaging equipment
- Rail doors
- Scissor lifts

### PORTFOLIO

The NGC Series joins the [14CE](#), [914CE](#), [LS](#), and [E6/V6](#) Series of Medium-Duty Limit Switches. Honeywell also offers a portfolio of [MICRO SWITCH™ Heavy-Duty Limit Switches](#) and [Global Limit Switches](#).

# MICRO SWITCH™ Compact Limit Switches, NGC Series

Table 1. Specifications

Characteristic	Parameter
Description	compact, medium-duty limit switches
Actuators	<p><b>Side Rotary Configurations</b></p> <ul style="list-style-type: none"> <li>• Side rotary</li> <li>• Side rotary (short)</li> <li>• Side rotary with adjustable length roller lever</li> <li>• Reversed side rotary (short)</li> <li>• Reversed side rotary with adjustable length roller lever</li> </ul> <p><b>Plunger Configurations</b></p> <ul style="list-style-type: none"> <li>• Pin plunger (standard 4,8 mm [0.19 in] and long 7,4 mm [0.29 in])</li> <li>• Roller plunger (standard 15,3 mm [0.60 in] and long 17,85 mm [0.70 in])</li> <li>• Cross roller plunger (standard 15,3 mm [0.60 in] and long 17,85 mm [0.70 in])</li> <li>• Pin plunger with boot seal</li> <li>• Panel-mount pin plunger</li> <li>• Panel-mount roller plunger</li> <li>• Panel-mount cross roller plunger</li> <li>• Panel-mount pin plunger with boot seal</li> </ul>
Terminations (SPDT)	<p>Normal cable, 0,75 mm<sup>2</sup> (18 AWG) cable</p> <p>PUR cable, 0,75 mm<sup>2</sup> (18 AWG) cable</p> <p>Special application cable, 4 &amp; 5 x 0,75 mm<sup>2</sup> (18 AWG) non-halogen cable</p> <p>Connector, 4-pin male, M12 thread</p> <p>Connector, 5-pin male, M12 thread</p>
Terminations (DPDT)	<p>Normal cable, 0,50 mm<sup>2</sup> (20 AWG) cable</p> <p>PUR cable, 0,50 mm<sup>2</sup> (20 AWG) cable</p> <p>Special application cable, 8 &amp; 9 x 0,50 mm<sup>2</sup> (20 AWG) non-halogen cable</p> <p>Connector, 4-pin male, M12 thread</p> <p>Connector, 5-pin male, M12 thread</p>
Material approval standard	(only applicable for product with non-halogen cable) DIN5510-2-2009 (flammability rating: S3; smoke rating: > SRI; welt rating: ST2; toxic gas rating: FED(TZUL=15min)< 1)
Switching options	SPDT, DPDT; snap action contacts (1NC/1NO, 2NC/2NO)
Sealing	NEMA 1, 4, 12, 13; IP67 per IEC 60529 suitable for outdoor applications
Contacts	<p>snap action, positive break</p> <p>standard: silver alloy; gold: gold-plated</p>
Operating temperature	-25 °C to 70 °C [-13 °F to 158 °F]
Storage temperature	-40 °C to 85 °C [-40 °F to 185 °F]
Mechanical endurance	<p>1NC/1NO: 5 M cycles min. at 120 CPM</p> <p>2NC/1NO: 5 M cycles min. at 60 CPM</p>
Electrical life	1 A 110 Vdc 500,000 cycles applicable only for NC circuit
Thermal current	1NC/1NO: 10 A; 2NC/2NO: 5 A
Rated insulation voltage (Ui)	<p>1NC/1NO: 400 V as per IEC 60947-5-1</p> <p>2NC/2NO: 250 V as per IEC 60947-5-1</p>
Dielectric strength	<p>1890 Vac for metal housing; 2890 Vac for plastic housing</p> <p>1500 Vac between all terminals to enclosure after durability test</p>
Impulse voltage	<p>1NC/1NO: 2500 Vdc as per IEC 60947-5-1</p> <p>2NC/2NO: 1500 Vac as per IEC 60947-5-1</p>
Pollution degree	3 (III)
Humidity	95 %RH max.
Operating speed	0,3 mm/s to 2 m/s
Switching frequency	<p>1NC/1NO: 120 cpm max.</p> <p>2NC/2NO: 60 cpm max.</p>
Shock	50 g for 11 μs as per IEC 60068-2-27; railway application, per IEC 61373 Class I Car B type
Vibration	10 g as per IEC 60068-2-6, frequency range 10 Hz to 500 Hz; railway application per IEC 61373 Class I Car B type
Approvals	UL (UL508), cUL, CE (IEC 60947-5-1), CCC (GB14048.5-2008)
Conforming to IEC Standards	IEC 60947-5-1, IEC 61373

# MICRO SWITCH™ Compact Limit Switches, NGC Series

Table 2. Electrical Ratings

Circuitry/contacts	Rating, Rated Voltage & Current
1NC/1NO (silver-alloy contacts)	A300 AC15: 120 V 6 A; 240 V 3 A per IEC 60947-5-1 and UL 508 Q300 DC13: 125 Vdc 0.55 A; 250 Vdc 0.27 A per IEC 60947-5-1 an UL 508
1NC/1NO (gold-plated contacts)	low level current: 30 mVdc 10 mA resistive
2NC/2NO (silver-alloy contacts)	C300 AC15: 0.75 A 250 Vac per IEC 60947-5-1 R300 DC13: 0.1 A 250 Vdc per IEC 60947-5-1
2NC/2NO (gold-plated contacts)	low level current: 30 mVdc 10 mA resistive

Figure 1. Product Nomenclature and Order Guide

NGC	M	A	02	A	X	01	A	1	1	
Switch Type	Housing	Connection	Cable Length	Connector/Cable Exiting Housing	Connector at End of Cable	Switch Type	Head Type	Levers (Optional)	Rollers (Optional)	Modifications
<b>NGC Series Medium-Duty Compact Limit Switch</b>	<b>M</b> Metal	<b>A</b> Side exit, right	<b>00</b> No cable. Internal connector	<b>A</b> Standard cable	<b>X</b> None	<b>01</b> 1NC/1NO snap action silver contacts	<b>A</b> Side rotary	None	None	Serialized number for specials
	<b>P</b> Plastic	<b>B</b> Bottom exit	<b>02</b> 0.25 m [0.82 ft]	<b>B</b> Halogen-free cable		<b>07</b> 1NC/1NO snap action gold contacts	<b>B</b> Pin plunger	<b>1</b> Standard, fixed length <sup>1</sup>	<b>A</b> 18 mm nylon roller <sup>2</sup>	
	<b>Q</b> Plastic with mounting ring support	<b>C</b> Side exit, left	<b>05</b> 0.5 m [1.64 ft]	<b>D</b> PUR cable		<b>24</b> 2NC/2NO snap action silver contacts	<b>C</b> Roller plunger	<b>2</b> Adjustable length, roller lever <sup>1</sup>	<b>B</b> 18 mm stainless steel roller <sup>3</sup>	
			<b>07</b> 0.7 m [2.3 ft]	<b>N</b> M12 4-pin micro change, dc connector		<b>32</b> 2NC/2NO snap action gold contacts	<b>D</b> Long pin plunger	<b>6</b> Short, fixed length <sup>1</sup>	<b>C</b> 18 mm nylon roller, reversed <sup>3</sup>	
			<b>10</b> 1.0 m [3.28 ft]	<b>P</b> M12 5-pin micro change, dc connector			<b>L</b> Cross roller plunger		<b>D</b> 18 mm stainless steel roller, reversed <sup>3</sup>	
			<b>15</b> 1.5 m [4.92 ft]				<b>M</b> Pin plunger w/ boot seal			
			<b>20</b> 2.0 m [6.56 ft]				<b>N</b> Panel-mount pin plunger			
			<b>30</b> 3.0 m [9.84 ft]				<b>P</b> Panel-mount roller plunger			
			<b>40</b> 4.0 m [13.12 ft]				<b>Q</b> Panel-mount cross-roller plunger			
			<b>50</b> 5.0 m [16.4 ft]				<b>R</b> Panel-mount pin plunger w/ boot seal			
							<b>S</b> Long roller plunger			
							<b>T</b> Long cross-roller plunger			

NOTE: not all combinations of model code are available. Please contact your Honeywell provider/representative for assistance.

<sup>1</sup> Only applicable for Head Type "A"  
<sup>2</sup> Only applicable for Lever Types "1, 2, 6"  
<sup>3</sup> Only applicable for Lever Types "2, 6"

## Common Part Numbers

NGCMB10AX01A1A	NGCPB10AX01L
NGCMB10AX01B	NGCPB10AX01M
NGCMB10AX01L	NGCPB10AX01N
NGCMB10AX01M	NGCPB10AX01P
NGCMB10AX01N	NGCPB10AX01Q
NGCMB10AX01P	NGCPB10AX01R
NGCMB10AX01Q	NGCPB10AX07A1A
NGCMB10AX01R	NGCPB10AX24C
NGCMB10AX07A1A	NGCMB10AX01A1B
NGCMB10AX24A1A	NGCMA10AX01C
NGCMB10AX24C	NGCMA10AX01M
NGCPA00NX01A1A	NGCMB10AX01C
NGCMA00PX01A1A	NGCPB10AX24A1A
NGCPA00NX01C	NGCMB10AX07C
NGCPB10AX01A1A	NGCMB10AX32C
NGCPB10AX01B	NGCMA10AX01A1A
NGCPB10AX01C	NGCPB10AX07C
	NGCPB10AX24C

# MICRO SWITCH™ Compact Limit Switches, NGC Series

Figure 2. Connector Dimensions and Pin-Out Identification

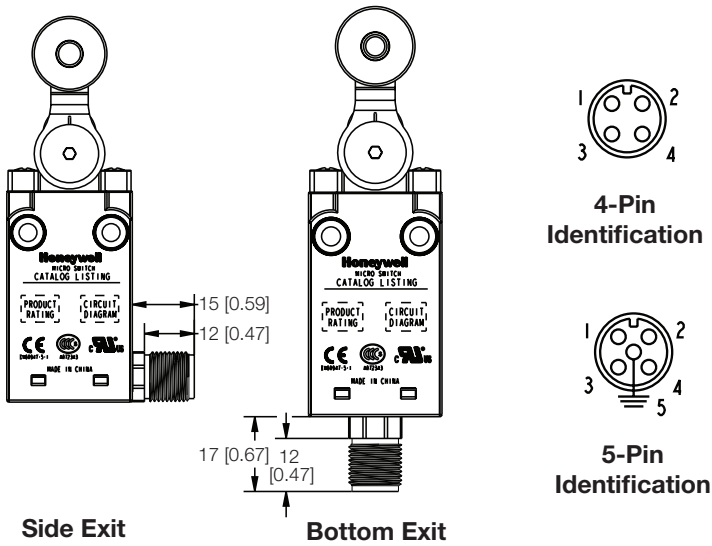


Figure 3. Side Rotary A1A/A1B Dimensions

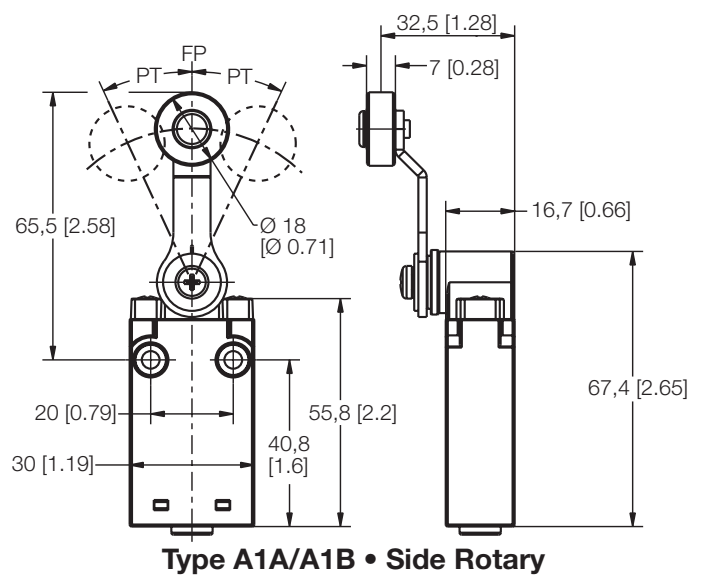


Figure 4. Side Rotary A6A/A6B Dimensions

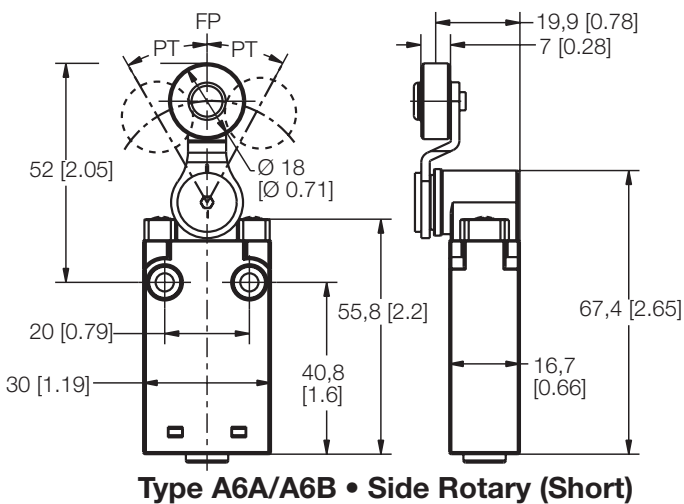


Figure 5. Side Rotary A2A/A2B Dimensions

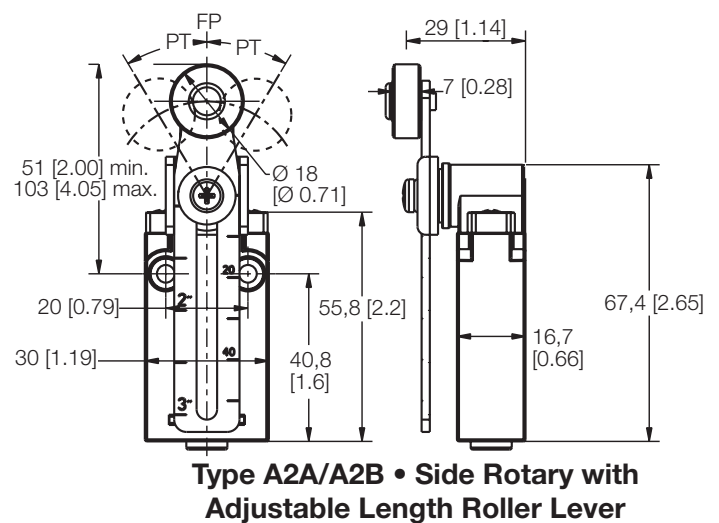


Figure 6. Side Rotary A6C/A6D Dimensions

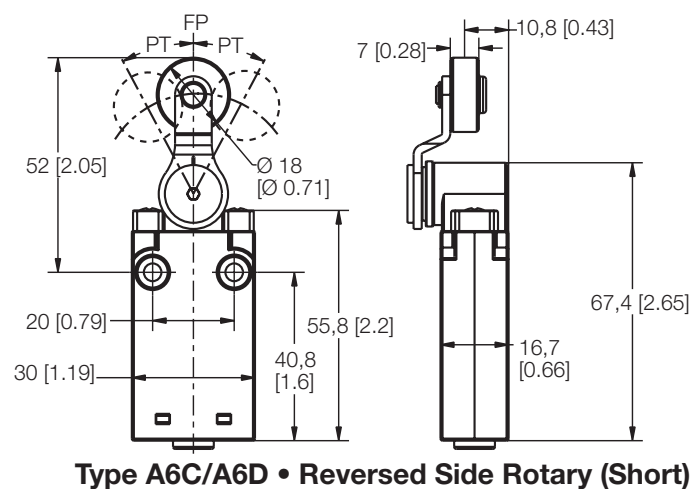
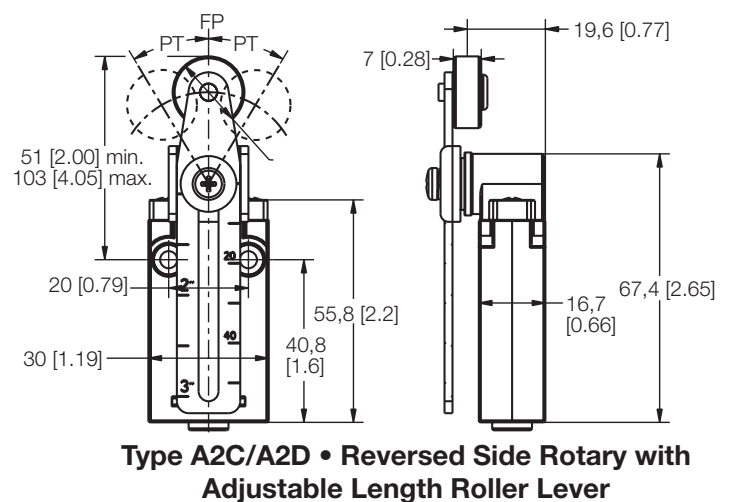


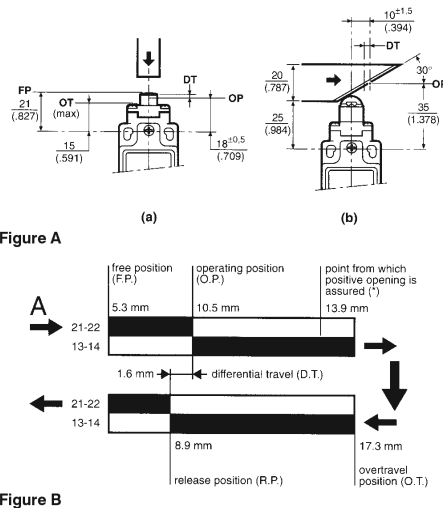
Figure 7. Side Rotary A2C/A2D Dimensions



# MICRO SWITCH™ Compact Limit Switches, NGC Series

Table 2. Side Rotary Operating Characteristics

Actuation	Catalog Listing	Connector/Cable Exit	Switch Type	Circuit Diagram	Bar Charts	Differential Travel max.	Operating Force/Torque max.	Release Force/Torque max.			
Side Rotary	NGCP****X01A**	A	01			15°	18 Ncm [1.59 in-lb]	2,5 Ncm [0.22 in-lb]			
	NGCP****X01A**	B									
	NGCP****X01A**	D									
	NGCP****X07A**	A	07								
	NGCP****X07A**	B									
	NGCP****X07A**	D									
	NGCP****X01A**	N	01								
	NGCP****X07A**	N									
	NGCM****X01A**	A	01								
	NGCM****X01A**	B									
	NGCM****X01A**	D									
	NGCM****X07A**	A	07								
	NGCM****X07A**	B									
	NGCM****X07A**	D									
	NGCM****X01A**	P	01								
	NGCM****X07A**	P	07								
	NGCP****X24A**	A	24						16.5°	17 Ncm [1.5 in-lb]	2,1 Ncm [0.19 in-lb]
	NGCP****X24A**	B									
NGCP****X24A**	D										
NGCP****X32A**	A	32									
NGCP****X32A**	B										
NGCP****X32A**	D										
NGCM****X24A**	A	24									
NGCM****X24A**	B										
NGCM****X24A**	D										
NGCM****X32A**	A	32									
NGCM****X32A**	B										
NGCM****X32A**	D										



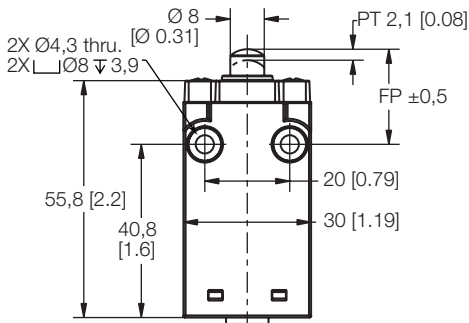
## How to read and understand the bar chart information

The following example relates to a unit which has a snap action basic and which has a roller pin plunger actuator. Follow the black arrows and the black strip on the chart. The black strip indicates that there is a circuit between the terminals whose numbers are shown on the left and when white there is no circuit.

Look at Figures A and B as examples. Actuator type used for test is the linear Cam travel type (b) shown left. The start point is at the arrow marked "A" (See fig. B). This shows the free position to be 5.3 mm from the vertical center line of the unit. At this stage there is a circuit between the terminals 21-22 but no circuit between terminals 13-14. The unit can be actuated until it reaches the operating position which is 10,5 mm from the center line – a travel distance of 10,5 – 5,3 = 5,2 mm from the free position. At this point the circuit arrangement changes – no circuit between 21-22 but making a circuit between 13-14. If, however, the contacts of terminals 21-22 weld together and will not separate, a mechanical safety feature will take effect if the switch is travelled past the point from which positive opening is assured, 13,9 mm. As the switch returns it reaches the release position at 8.9 mm from the center line. The circuit will change back to the original state and the difference between the operating position and the release position gives what is known as the differential travel i.e. 10,5 – 8,9 = 1,6 mm. The asterisk (\*) indicates the point from which the positive opening is assured.

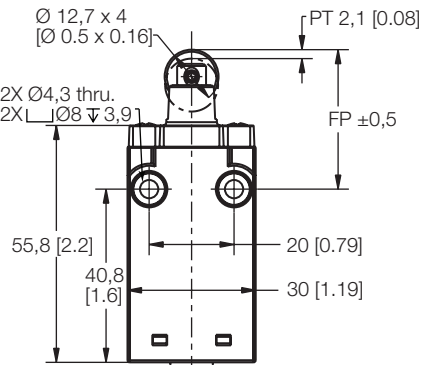
# MICRO SWITCH™ Compact Limit Switches, NGC Series

Figure 8. Pin Plunger B & D Dimensions



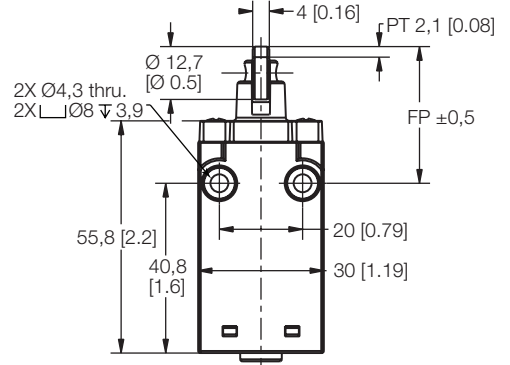
**NGC\_B | FP 19,8 mm**  
**NGC\_D | FP 22,4 mm**  
**Pin Plunger**

Figure 9. Roller Plunger C & S Dimensions



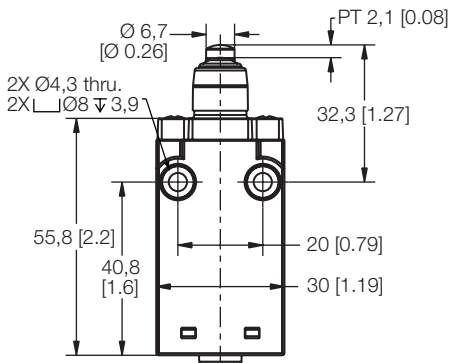
**NGC\_C | FP 30,3 mm**  
**NGC\_S | FP 32,85 mm**  
**Roller Plunger**

Figure 10. Cross Roller Plunger L & T Dimensions



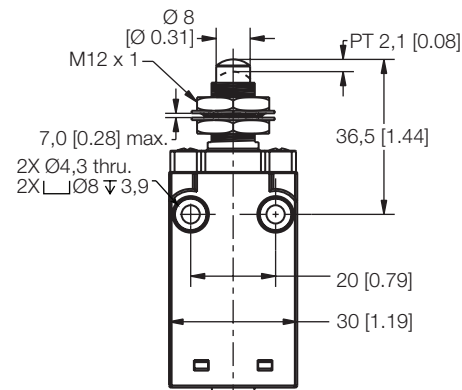
**NGC\_L | FP 30,3 mm**  
**NGC\_T | FP 32,85 mm**  
**Cross Roller Plunger**

Figure 11. Pin Plunger with Boot Seal M Dimensions



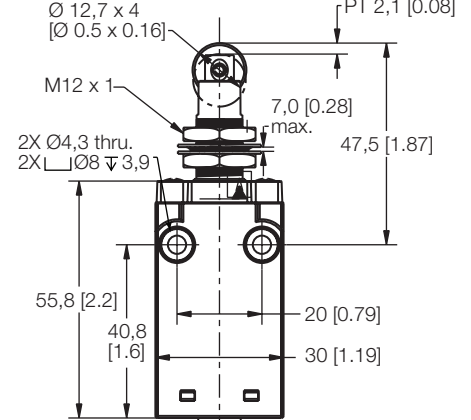
**NGC\_M**  
**Pin Plunger with Boot Seal**

Figure 12. Panel-Mount Pin Plunger N Dimensions



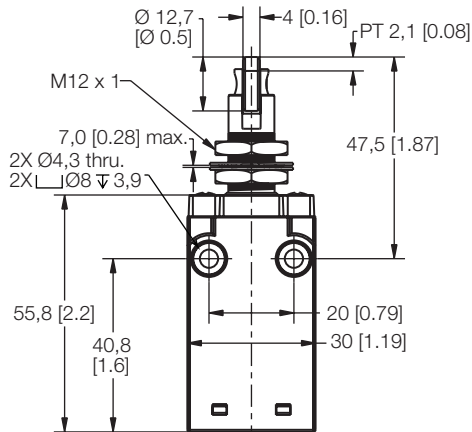
**NGC\_N**  
**Panel-Mount Pin Plunger**

Figure 13. Panel-Mount Roller Plunger P Dimensions



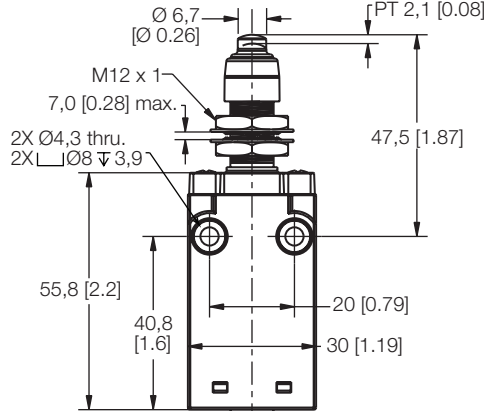
**NGC\_P**  
**Panel-Mount Roller Plunger**

Figure 14. Panel-Mount Cross Roller Plunger Q Dimensions



**NGC\_Q**  
**Panel-Mount Cross Roller Plunger**

Figure 15. Panel-Mount Pin Plunger With Boot Seal R Dimensions



**NGC\_R**  
**Panel-Mount Pin Plunger with Boot Seal**

# MICRO SWITCH™ Compact Limit Switches, NGC Series

Table 3. Plunger Operating Characteristics

Actuation	Catalog Listing	Connector/Cable Exit	Switch Type	Circuit Diagram	Bar Charts	Differential Travel max.	Operating Force/Torque max.	Release Force/Torque max.
Plunger Head	NGCP****X01 B/C/D/L/M/N/P/Q/R/S/T	A	01			1,2 mm [0,047 in]	11 N [2.47 lb]	3 N [0.67 lb]
	NGCP****X01 B/C/D/L/M/N/P/Q/R/S/T	B						
	NGCP****X01 B/C/D/L/M/N/P/Q/R/S/T	D						
	NGCP****X07 B/C/D/L/M/N/P/Q/R/S/T	A	07					
	NGCP****X07 B/C/D/L/M/N/P/Q/R/S/T	B						
	NGCP****X07 B/C/D/L/M/N/P/Q/R/S/T	D						
	NGCP****X01 B/C/D/L/M/N/P/Q/R/S/T	N	01					
	NGCP****X07 B/C/D/L/M/N/P/Q/R/S/T	N	07					
	NGCM****X01 B/C/D/L/M/N/P/Q/R/S/T	A	01					
	NGCM****X01 B/C/D/L/M/N/P/Q/R/S/T	B						
	NGCM****X01 B/C/D/L/M/N/P/Q/R/S/T	D						
	NGCM****X07 B/C/D/L/M/N/P/Q/R/S/T	A	07					
	NGCM****X07 B/C/D/L/M/N/P/Q/R/S/T	B						
	NGCM****X07 B/C/D/L/M/N/P/Q/R/S/T	D						
	NGCM****X01 B/C/D/L/M/N/P/Q/R/S/T	P	01					
	NGCP****X07 B/C/D/L/M/N/P/Q/R/S/T	P	07					
	NGCP****X24 B/C/D/L/M/N/P/Q/R/S/T	A	24					
	NGCP****X24 B/C/D/L/M/N/P/Q/R/S/T	B						
NGCP****X24 B/C/D/L/M/N/P/Q/R/S/T	D							
NGCP****X32 B/C/D/L/M/N/P/Q/R/S/T	A	32						
NGCP****X32 B/C/D/L/M/N/P/Q/R/S/T	B							
NGCP****X32 B/C/D/L/M/N/P/Q/R/S/T	D							
NGCM****X24 B/C/D/L/M/N/P/Q/R/S/T	A	24						
NGCM****X24 B/C/D/L/M/N/P/Q/R/S/T	B							
NGCM****X24 B/C/D/L/M/N/P/Q/R/S/T	D							
NGCM****X32 B/C/D/L/M/N/P/Q/R/S/T	A	32						
NGCM****X32 B/C/D/L/M/N/P/Q/R/S/T	B							
NGCM****X32 B/C/D/L/M/N/P/Q/R/S/T	D							



## ADDITIONAL MATERIALS

The following associated literature is available on the Honeywell web site at [sensing.honeywell.com](http://sensing.honeywell.com):

- Product line guide
- Product part listing/nomenclature tree
- Product range guide
- Application note

### Find out more

Honeywell serves its customers through a worldwide network of sales offices, representatives and distributors. For application assistance, current specifications, pricing or name of the nearest Authorized Distributor, contact your local sales office.

To learn more about Honeywell's products, call **+1-815-235-6847** or **1-800-537-6945**, visit **[sensing.honeywell.com](http://sensing.honeywell.com)**, or e-mail inquiries to **[info.sc@honeywell.com](mailto:info.sc@honeywell.com)**

Sensing and Productivity Solutions  
Honeywell  
1985 Douglas Drive North  
Golden Valley, MN 55422  
**[honeywell.com](http://honeywell.com)**

### **WARNING** **PERSONAL INJURY**

DO NOT USE these products as safety or emergency stop devices or in any other application where failure of the product could result in personal injury.

**Failure to comply with these instructions could result in death or serious injury.**

### **WARNING** **MISUSE OF DOCUMENTATION**

- The information presented in this product sheet is for reference only. Do not use this document as a product installation guide.
- Complete installation, operation, and maintenance information is provided in the instructions supplied with each product.

**Failure to comply with these instructions could result in death or serious injury.**

### Warranty/Remedy

Honeywell warrants goods of its manufacture as being free of defective materials and faulty workmanship. Honeywell's standard product warranty applies unless agreed to otherwise by Honeywell in writing; please refer to your order acknowledgement or consult your local sales office for specific warranty details. If warranted goods are returned to Honeywell during the period of coverage, Honeywell will repair or replace, at its option, without charge those items it finds defective. **The foregoing is buyer's sole remedy and is in lieu of all other warranties, expressed or implied, including those of merchantability and fitness for a particular purpose. In no event shall Honeywell be liable for consequential, special, or indirect damages.**

While we provide application assistance personally, through our literature and the Honeywell web site, it is up to the customer to determine the suitability of the product in the application.

Specifications may change without notice. The information we supply is believed to be accurate and reliable as of this printing. However, we assume no responsibility for its use.

# Honeywell