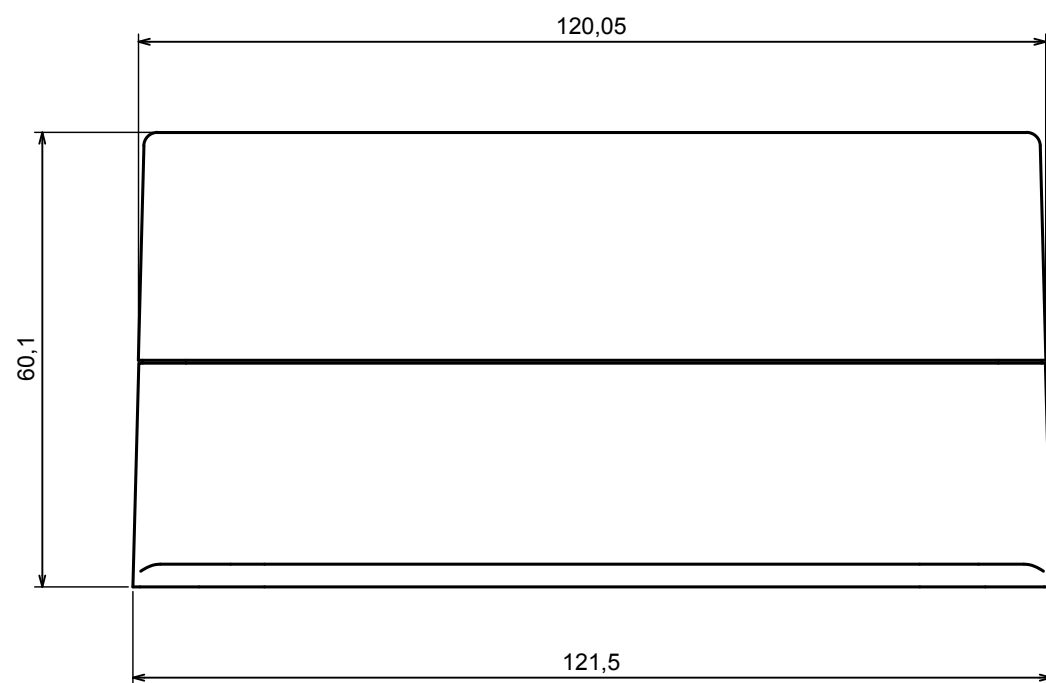
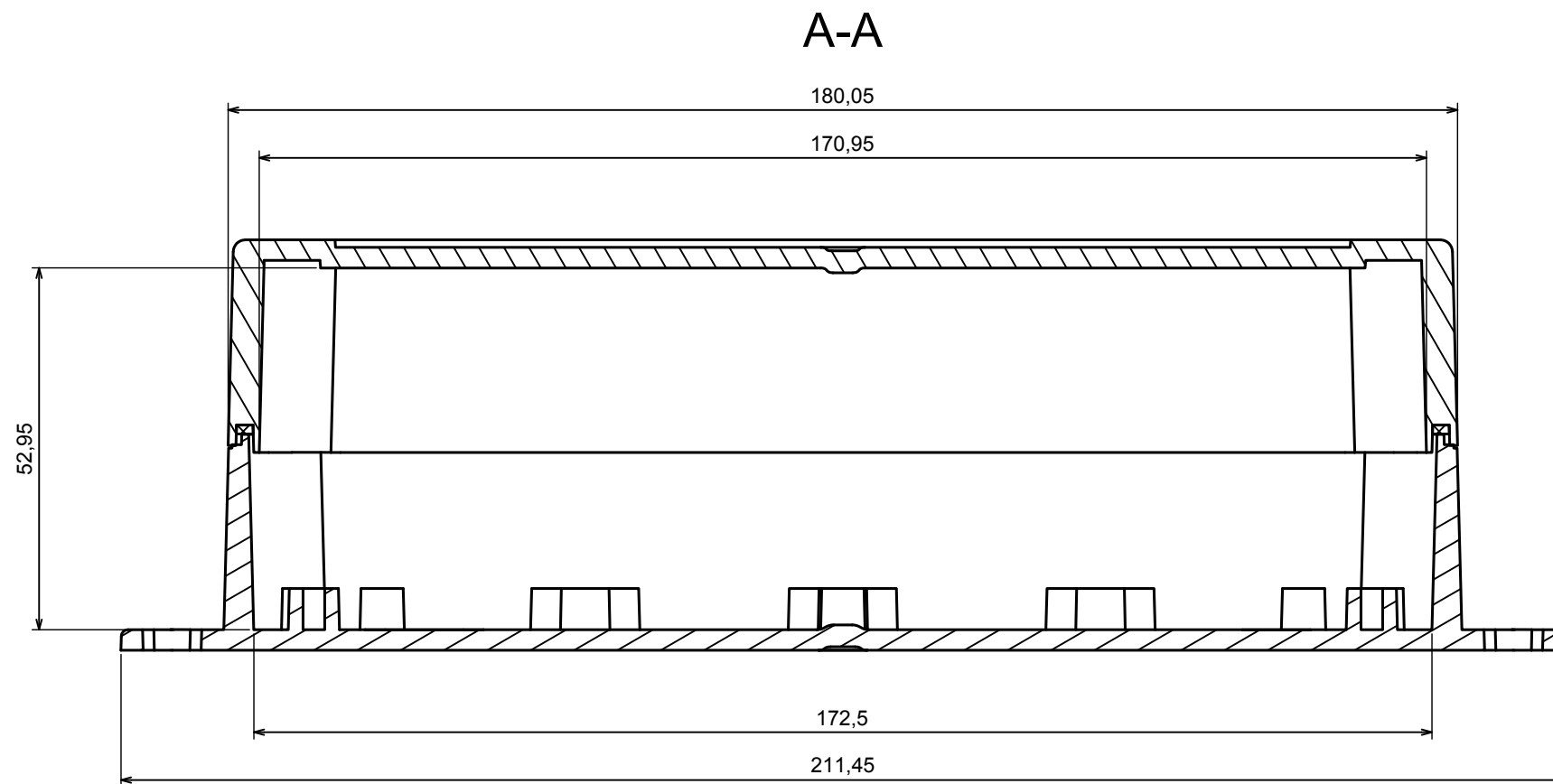


A |



A |



All rights reserved, Copyright Kradox 2020

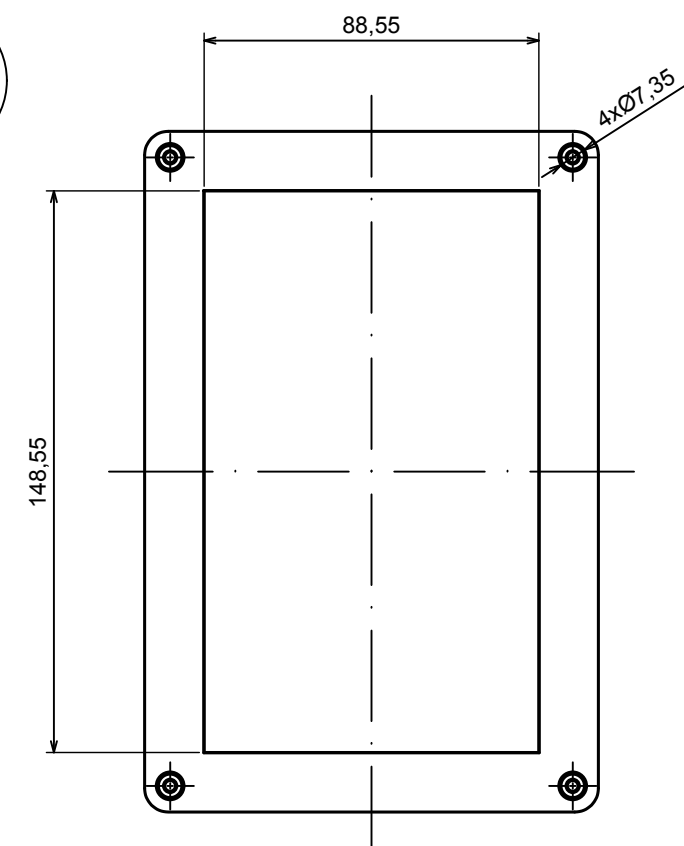
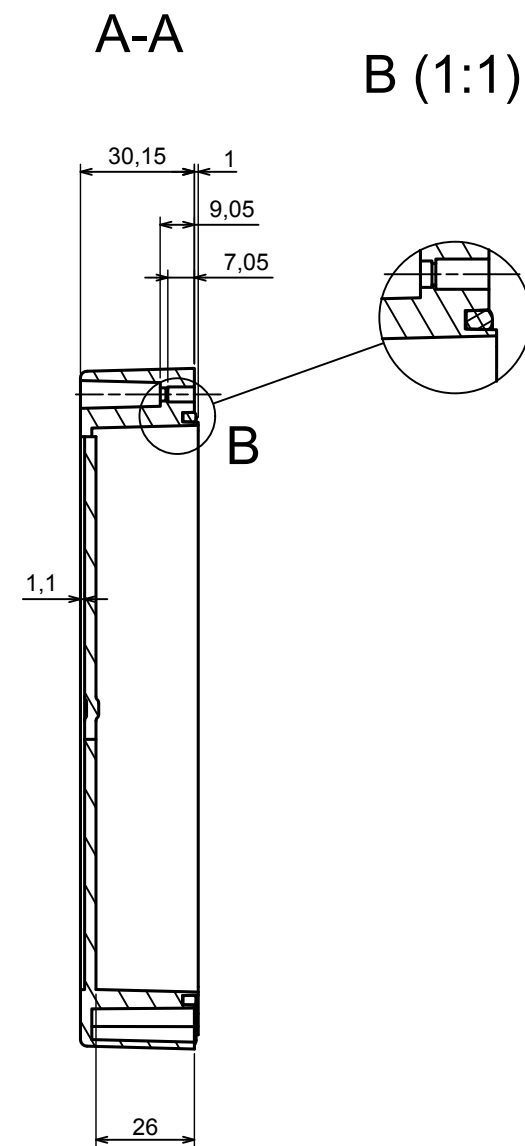
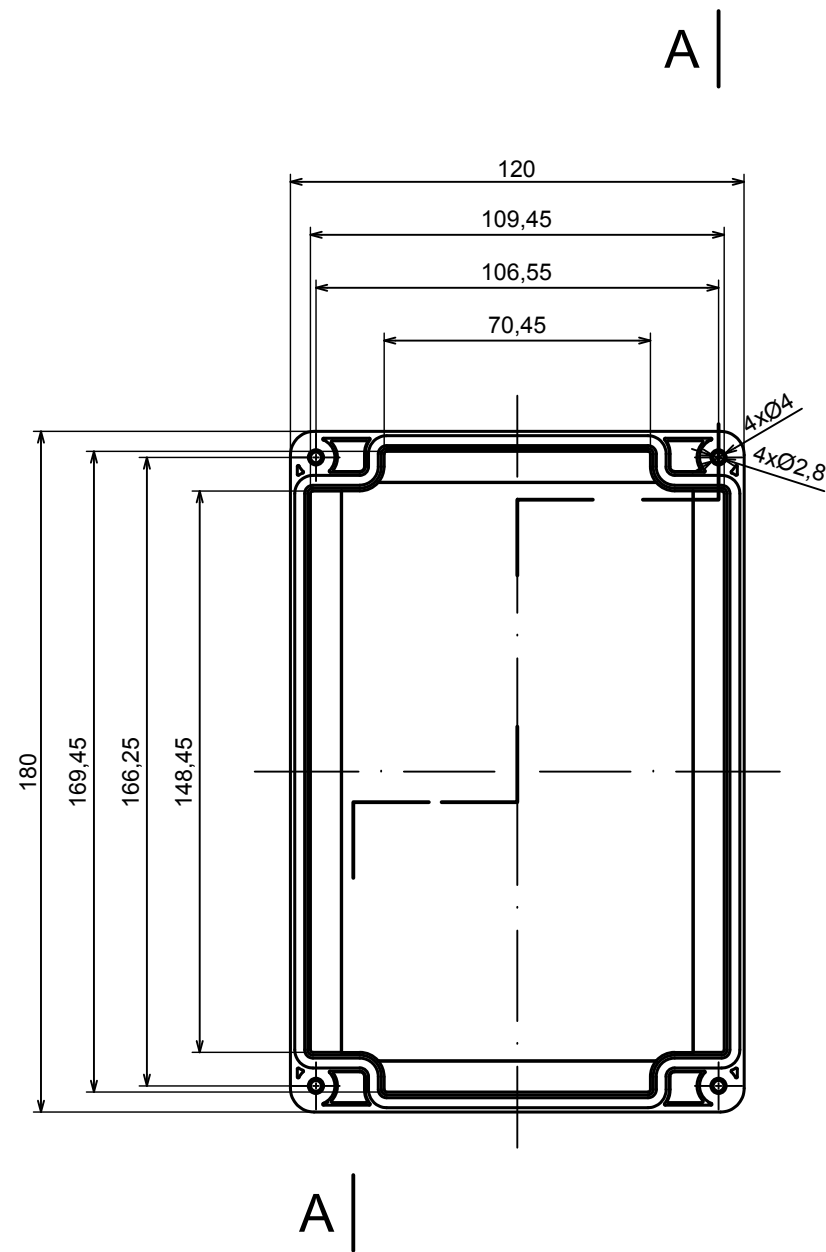
Product model Enclosure ZP180.120.60SU TM - Assembly

Format: A3 Material: PC, ABS

Scale 1:1 Tolerance: +/- 0.5







All rights reserved, Copyright Kradex 2020

Product model: Enclosure ZP180.120.60SU TM - Cover ZP180.120.30S

Format: A3 Material: PC, ABS

Scale 1:2 Tolerance: +/- 0.5

