



Neohm | Neohm NTC

TE Internal #: 1624368-2

6.8K Ω Thermistor, 0805, 3850 K Beta Value, Negative Temperature Coefficient, 5 %, Neohm NTC

[View on TE.com >](#)

Passive Components > Resistors > Thermistors



Resistance Value: **6.8K Ω**

Package Size Code: **0805**

Beta Value: **3850 K**

Thermistor Mode of Operation: **Negative Temperature Coefficient**

Passive Component Tolerance: **5 %**

Features

Product Type Features

Package Size Code	0805
-------------------	------

Electrical Characteristics

Resistance Value	6.8K Ω
Passive Component Tolerance	5 %

Dimensions

Passive Component Dimensions	2 x 1.25 x.5 mm
------------------------------	-----------------

Operation/Application

Thermistor Mode of Operation	Negative Temperature Coefficient
------------------------------	----------------------------------

Packaging Features

Packaging Method	Taped & Reeled
------------------	----------------

Other

Beta Value	3850 K
------------	--------

Product Compliance

[For compliance documentation, visit the product page on TE.com>](#)

EU RoHS Directive 2011/65/EU	Compliant with Exemptions
EU ELV Directive 2000/53/EC	Not Compliant
China RoHS 2 Directive MIIT Order No 32, 2016	Restricted Materials Above Threshold



EU REACH Regulation (EC) No. 1907/2006

Current ECHA Candidate List: JUNE 2023 (235)

Candidate List Declared Against: JUNE 2022 (224)

Does not contain REACH SVHC

Halogen Content

Low Halogen - Br, Cl, F, I < 900 ppm per homogenous material. Also BFR/CFR/PVC Free

Solder Process Capability

Reflow solder capable to 260°C

Product Compliance Disclaimer

This information is provided based on reasonable inquiry of our suppliers and represents our current actual knowledge based on the information they provided. This information is subject to change. The part numbers that TE has identified as EU RoHS compliant have a maximum concentration of 0.1% by weight in homogenous materials for lead, hexavalent chromium, mercury, PBB, PBDE, DBP, BBP, DEHP, DIBP, and 0.01% for cadmium, or qualify for an exemption to these limits as defined in the Annexes of Directive 2011/65/EU (RoHS2). Finished electrical and electronic equipment products will be CE marked as required by Directive 2011/65/EU. Components may not be CE marked. Additionally, the part numbers that TE has identified as EU ELV compliant have a maximum concentration of 0.1% by weight in homogenous materials for lead, hexavalent chromium, and mercury, and 0.01% for cadmium, or qualify for an exemption to these limits as defined in the Annexes of Directive 2000/53/EC (ELV). Regarding the REACH Regulation, the information TE provides on SVHC in articles for this part number is based on the latest European Chemicals Agency (ECHA) 'Guidance on requirements for substances in articles' posted at this URL: <https://echa.europa.eu/guidance-documents/guidance-on-reach>

Compatible Parts

TE Part # 1624345-1
NTC0805 5% 10K

TE Part # 1624349-1
NTC0805 5% 1K0

TE Part # 1624362-1
NTC0805 5% 470R

TE Part # 1624365-1
NTC0805 5% 5K0

TE Part # 1624347-1
NTC0805 5% 150R

TE Part # 1624352-1
NTC0805 5% 220R

TE Part # 1624344-2
NTC0805 5% 100K

TE Part # 1624346-2
NTC0805 5% 150K



TE Part # 1624348-2
NTC0805 5% 15K



TE Part # 1624351-1
NTC0805 5% 20K



TE Part # 1624353-2
NTC0805 5% 22K



TE Part # 1624354-2
NTC0805 5% 2K0



TE Part # 1624356-2
NTC0805 5% 2K5



TE Part # 1624357-2
NTC0805 5% 30K



TE Part # 1624358-2
NTC0805 5% 330R



TE Part # 1624359-2
NTC0805 5% 33K



TE Part # 1624360-2
NTC0805 5% 3K0



TE Part # 1624361-2
NTC0805 5% 3K3



TE Part # 1624363-1
NTC0805 5% 47K



TE Part # 1624366-2
NTC0805 5% 680R

Also in the Series | Neohm NTC



Thermistors(25)

Customers Also Bought



TE Part #1-179958-4
DYNAMIC D-5200S REC HSG 4P K/X



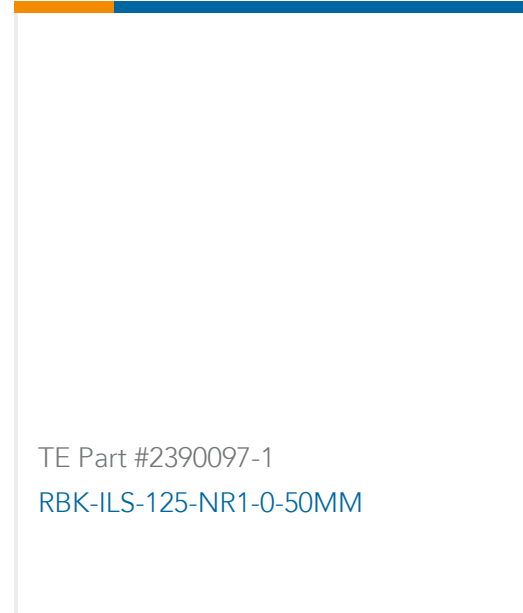
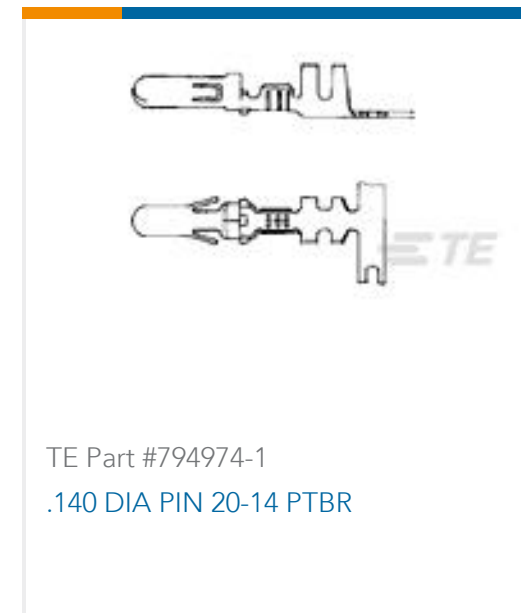
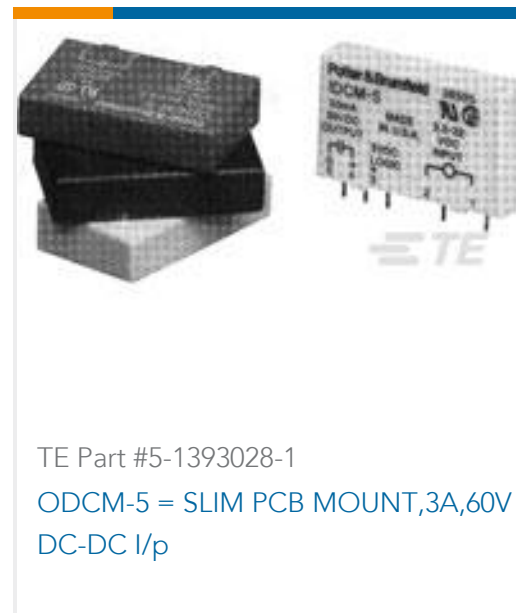
TE Part #1-1393210-3
T9AS1D12-12



TE Part #1-2273029-3
M12 x 1.0 straight socket pigtail A



TE Part #5-146278-2
02 MODII HDR SRST B/A .100CL



Documents

Product Drawings

[NTC0805 5% 6K8](#)

English

CAD Files

[3D PDF](#)

3D

Customer View Model

[ENG_CVM_CVM_1624368-2_BA.2d_dxf.zip](#)

English

Customer View Model

[ENG_CVM_CVM_1624368-2_BA.3d_igs.zip](#)

English

Customer View Model

[ENG_CVM_CVM_1624368-2_BA.3d_stp.zip](#)

English

By downloading the CAD file I accept and agree to the [Terms and Conditions](#) of use.

Datasheets & Catalog Pages

[1309350_PASSIVE_COMPONENT](#)

English

[Negative Temperature Coefficient Chip Thermistors - Type NTC Series](#)

English

Product Environmental Compliance

[MD_1624368-2_02032017345_dmtec](#)

English

NTC0805J6K8

6.8K Ω Thermistor, 0805, 3850 K Beta Value, Negative Temperature Coefficient, 5 %, Neohm NTC



[MD_1624368-2_02032017345_dmtec](#)

English