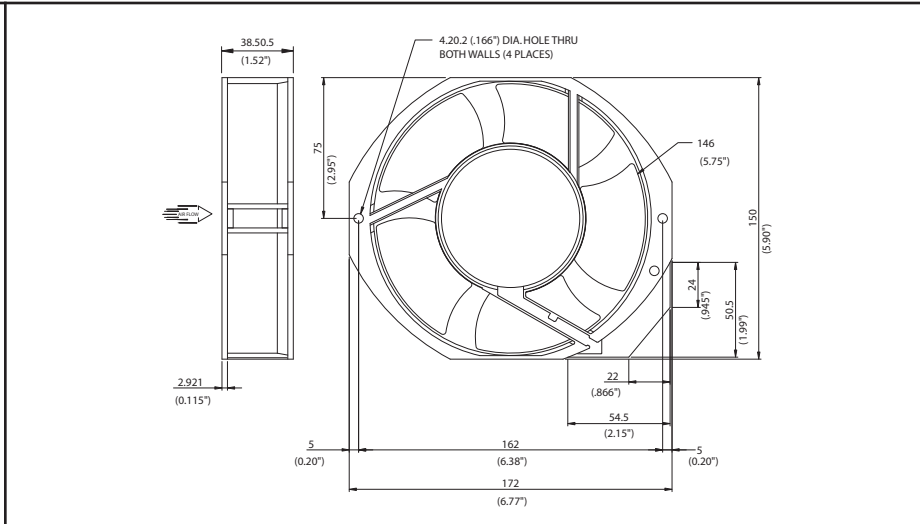


OA172SAPL Series



AC Fan - 115V, 230V
172 x 150 x 38mm (6.7"x 5.9"x 1.5")



Frame	Diecast Aluminum	Operating Temperature Ball Bearing -20C ~ +80C Storage Temp -40C ~ +80C Life Expectancy Ball Bearing 60,000 hours (L10 at 40C) Environmental Protection: IP55 Weight: ~ 1.6 lbs. m2	
Impeller	PBT, UL94V-0 plastic		
Connection	2x Lead Wires or Terminals		
Motor	Capacitor drive, thermally protected		
Bearing System	Dual ball		
Insulation Resistance	>100M ohm between lead-wire and frame (500VDC)		
Dielectric Strength	1 min at 1500 VAC, 50/60Hz		

Model Number	Speed (RPM)	Airflow (CFM)	Noise (dB)	Volts AC	Voltage Range	Watts	Max. Static Pressure (\"H ₂ O)
OA172SAPL-11-1 *IP55	3400	228	58	115	103~126	28	0.87
OA172SAPL-11-2 *IP55	2750	162	50	115	103~126	27	0.35
OA172SAPL-11-3 *IP55	1700	103	44	115	103~126	26	0.26
OA172SAPL-22-1 *IP55	3400	228	58	230	160~260	28	0.87
OA172SAPL-22-3 *IP55	1700	103	44	230	160~260	26	0.26

* Indicate "TB" for Terminal type or "WB" for Wire Leads

Mouser Electronics

Authorized Distributor

Click to View Pricing, Inventory, Delivery & Lifecycle Information:

Orion Fans:

[OA172SAPL-11-1TBIP55](#) [OA172SAPL-11-3TBIP55](#) [OA172SAPL-11-1WBIP55](#) [OA172SAPL-11-2WBIP55](#)
[OA172SAPL-11-3WBIP55](#) [OA172SAPL-11-2TBIP55](#) [OA172SAPL-22-3WBIP55](#) [OA172SAPL-22-3TBIP55](#)
[OA172SAPL-22-1WBIP55](#) [OA172SAPL-22-1TBIP55](#)