

80mm sq.

San Ace 80

15mm thick (GA type), 15mm thick, 20mm thick (GA type)
 20mm thick, 25mm thick (GA type), 25mm thick (S type)
 25mm thick (GV type), 25mm thick
 25mm thick (San Cooler), 32mm thick (GA type)
 32mm thick, 38mm thick (HV type), 38mm thick (GA type)
 38mm thick (GV type), 38mm thick (G type)



Model no. 9S0812H401 is not TÜV certified.

General Specifications

- Material Frame: Plastics (Flammability: UL94V-0),
 Impeller: Plastics (Flammability: UL94V-1)
- Expected Life Refer to specifications (L10:Survival rate:90% at 60°C ,
 rated voltage, and continuously run in a free air state)
- Lead Wire ⊕red ⊖black (Sensor) yellow
- Storage Temperature -30°C to +70°C (Non-condensing)

80×80×25mm (Mass : 75g) **S type** **Silent Fan**

Specifications

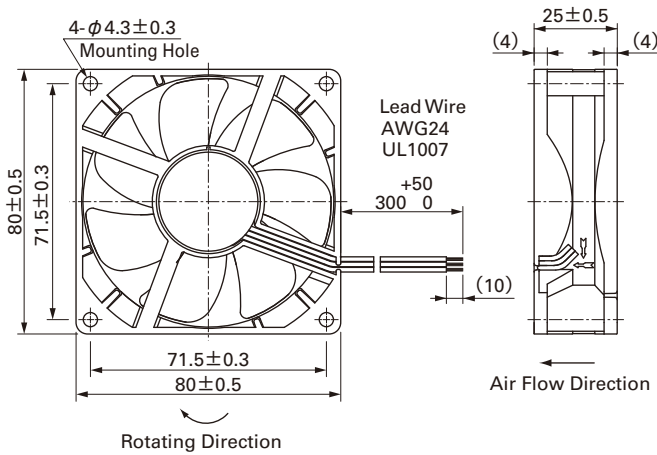
The following nos. **have pulse sensors and ribs.** For ribless, append "1" to the model no.

Model No.	Rated Voltage [V]	Operating Voltage Range [V]	Rated Current [A]	Rated Input [W]	Rated Speed [min ⁻¹]	Max. Air Flow [m ³ /min] [CFM]	Max. Static Pressure [Pa] [inchH ₂ O]	SPL [dB(A)]	Operating Temperature [°C]	Expected Life [h]
9S0812H401	12	5.0 to 13.2	0.23	2.76	3,400	1.12 39.5	52.15 0.20	31	-10 to +70	40,000
9S0812F401		5.0 to 13.8	0.11	1.32	2,800	0.93 32.8	35.5 0.143	24		
9S0812M401		6.0 to 13.8	0.08	0.96	2,500	0.83 29.3	27.5 0.110	22		
9S0812L401	24	10 to 26.4	0.06	1.44	2,500	0.83 29.3	27.5 0.110	22	-10 to +70	40,000
9S0824M401		10 to 26.4	0.06	1.44	2,500	0.83 29.3	27.5 0.110	22		
9S0824L401		10 to 26.4	0.04	0.96	2,000	0.66 23.3	18.1 0.073	16		

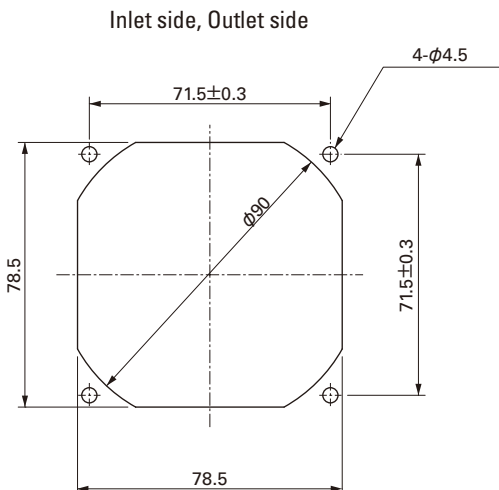
Available options: ⇒ Without Sensor

Please inquire as the availability of these functions depend on the model. ⇒ Lock Sensor PWM Control

Dimensions (Unit : mm) (With ribs)



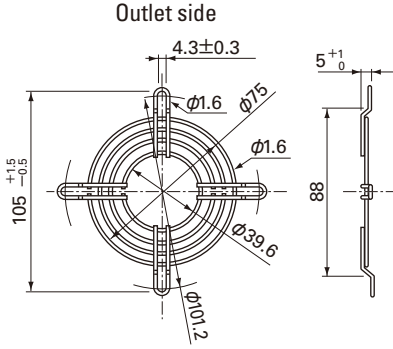
Reference dimension of mounting holes and vent opening (Unit : mm)



Options (Unit : mm)

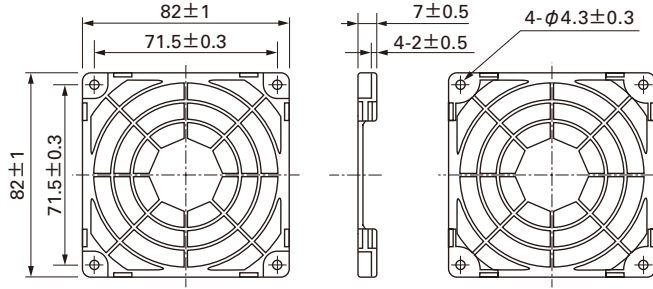
Finger guards

Model : 109-049C Color : Nickel-chrome plating (silver)



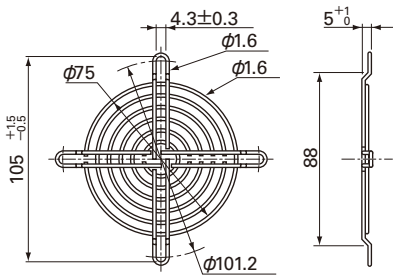
Resin finger guards

Model : 109-1002G



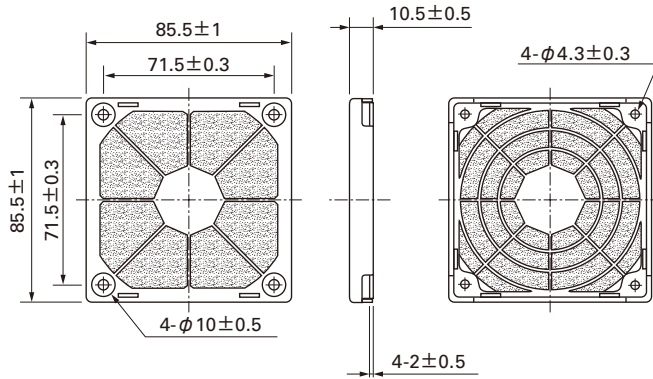
Model : 109-049E Color : Nickel-chrome plating (silver)
: 109-049H : Cation electropainting (black)

Inlet side, Outlet side



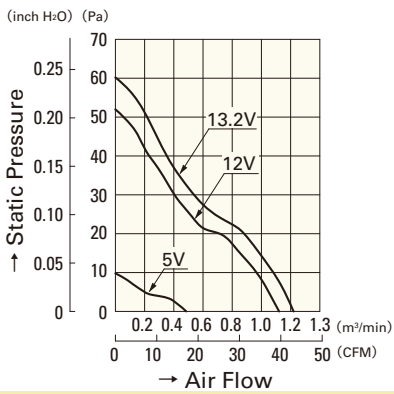
Resin filter kits

Model : 109-1002F13 (13PPI), 109-1002F20 (20PPI)
: 109-1002F30 (30PPI), 109-1002F40 (40PPI)



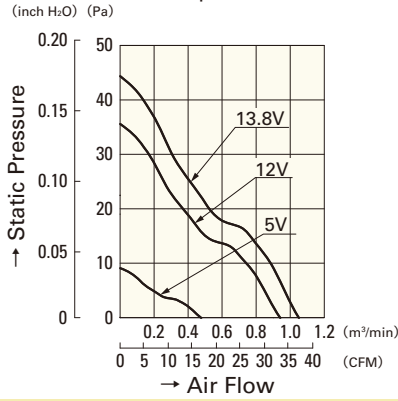
Air Flow - Static Pressure Characteristics

H speed



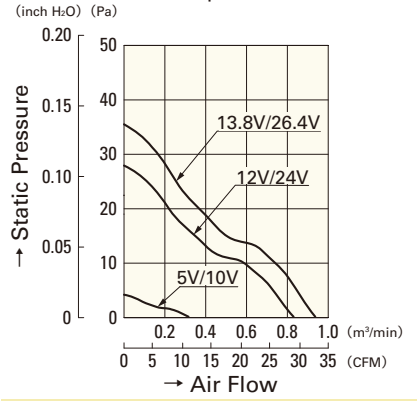
9S0812H401

F speed



9S0812F401

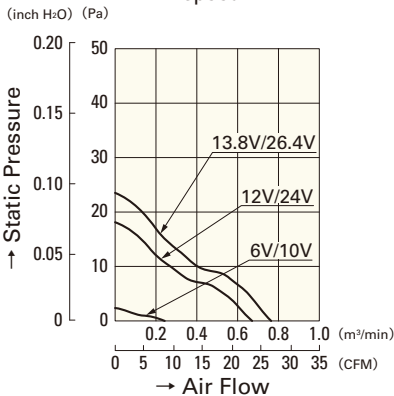
M speed



9S0812M401

9S0824M401

L speed



9S0812L401

9S0824L401