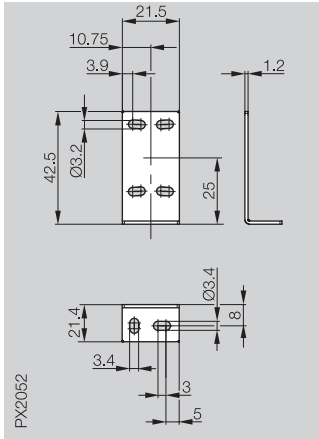
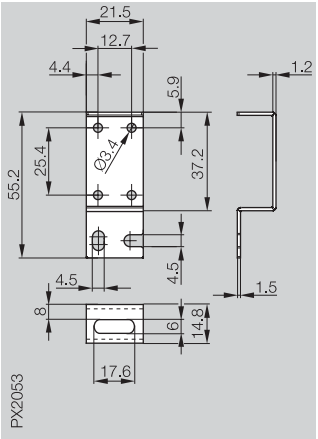
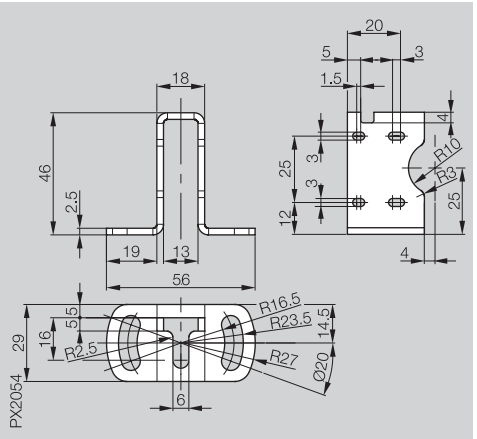
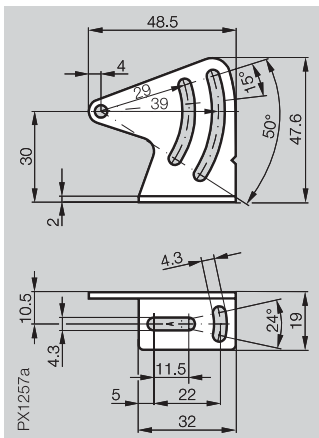
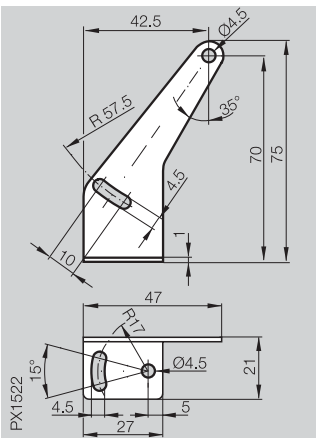
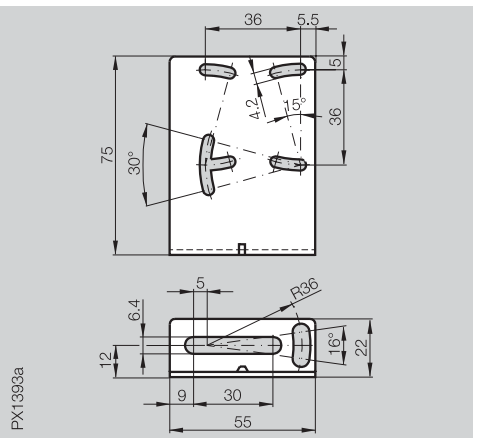
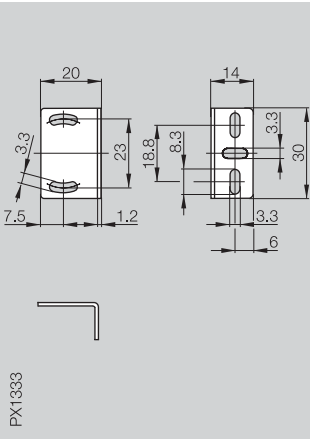


	Mounting bracket for BOS 5K	Mounting bracket for BOS 5K	Mounting bracket for BOS 5K
			
Ordering code	BOS 5-HW-1	BOS 5-HW-2	BOS 5-HW-3

	Mounting bracket for BOS 26K, BOS 25K and BOS 21M	Mounting bracket for BOS 35K	Mounting bracket for BOS 36K
			
Ordering code	BOS 26-HW-1	BOS 35-HW-1	BOS 36-HW-1



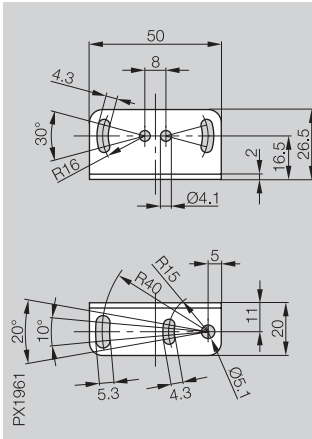
Mounting bracket
for BOS 6K and BOS 21M



PX1333

BOS 6-HW-1

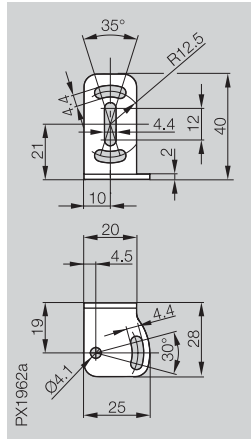
Mounting bracket
for BOS 21M



PX1961

BOS 21-HW-1

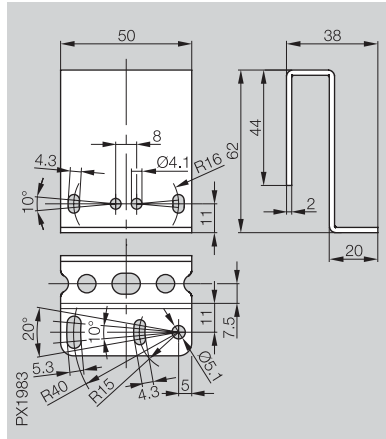
Mounting bracket
for BOS 21M



PX1962a

BOS 21-HW-2

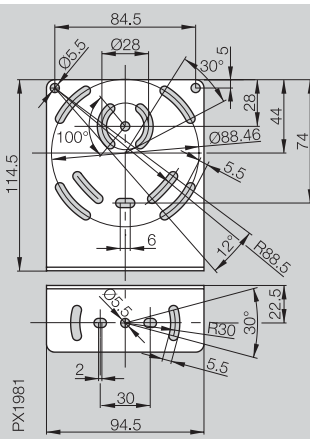
Mounting bracket
for BOS 21M



PX1983

BOS 21-HW-3

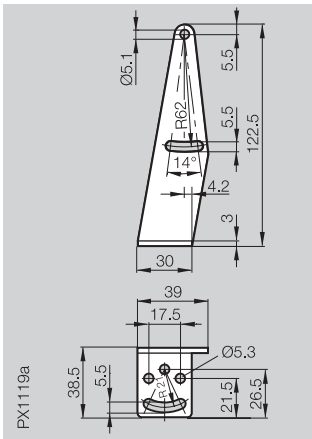
Mounting bracket
for BOD 63M



PX1981

BOD 63-HW-1

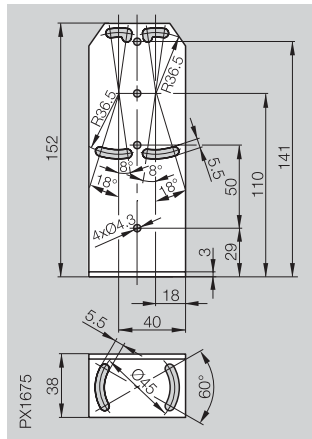
Mounting bracket
for BOS 65K



PX1199a

BOS 65-HW-1

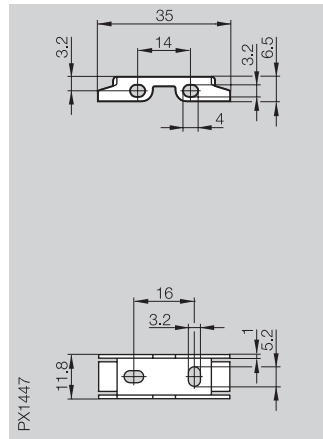
Mounting bracket
for BOD 66M



PX1675

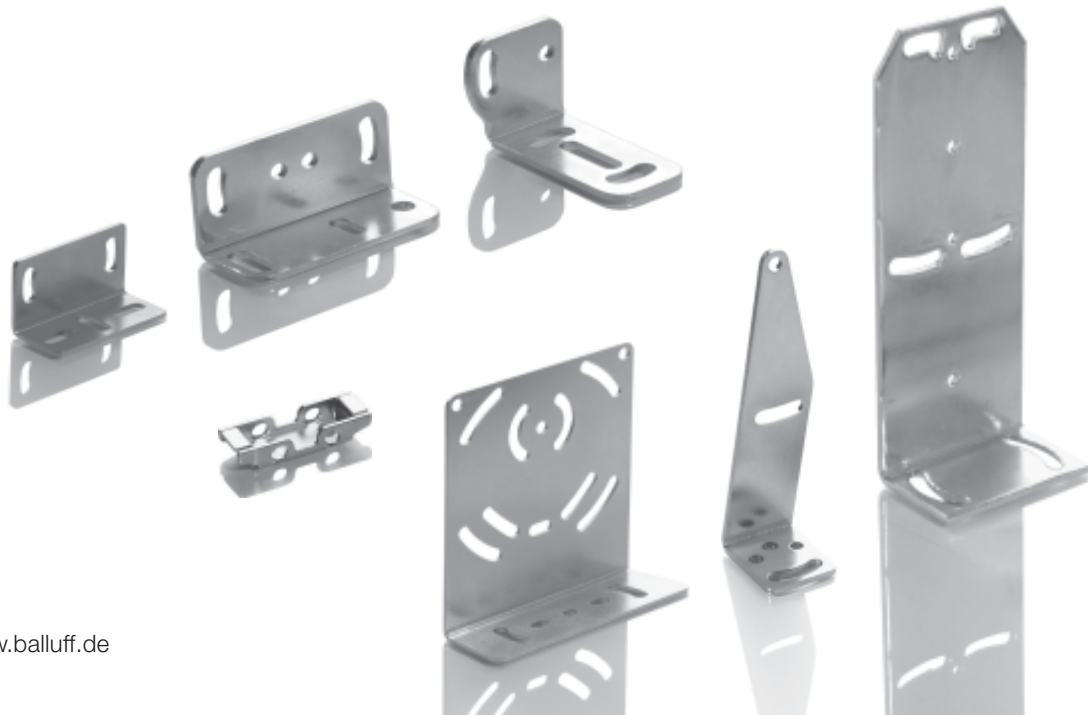
BOD 66-HW-1

Mounting bracket
for BOS 74K

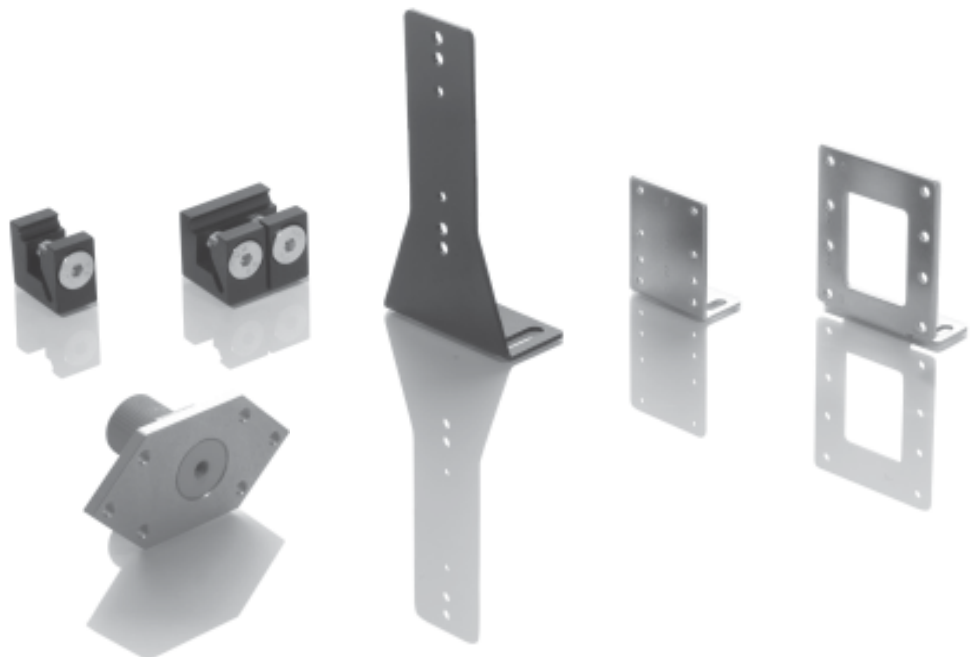


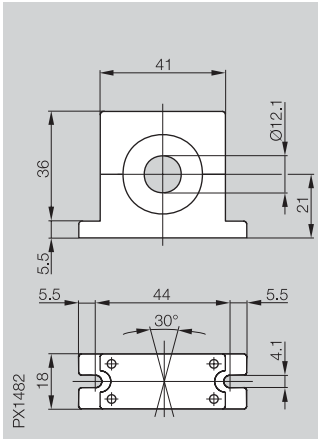
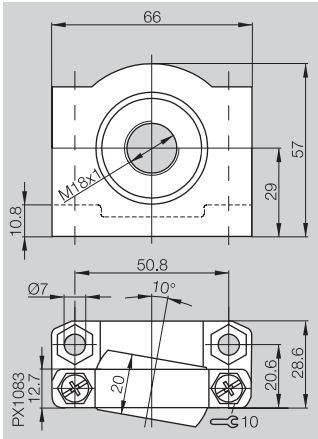
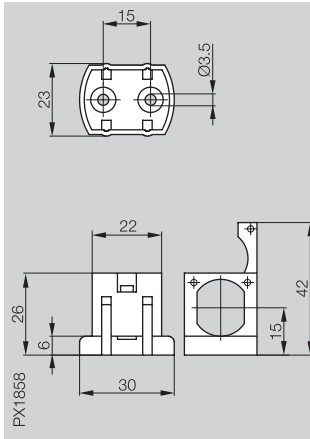
PX1447

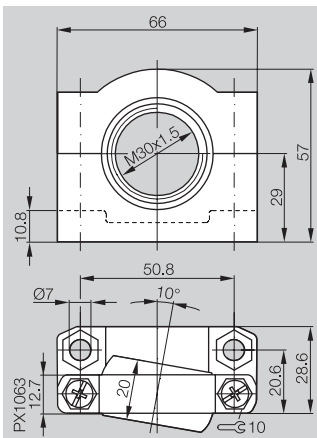
BOS 74-HW-1



	Clamp for BOS 21M	Clamp for BOS 21M	Adapter plate for BOS 21M, BOS 25K, BOS 26K and BOS R-1
Ordering code	BOS 21-KH-1	BOS 21-KH-2	BOS 21-AD-1
	Mounting bracket for reflector BOS R-10 and BOS R-25	Mounting bracket for reflector BOS R-26	Mounting bracket for reflector BOS R-9 and BOS R-22
Ordering code	BOS 5-HW-4	BOS 5-HW-5	BOS 5-HW-6



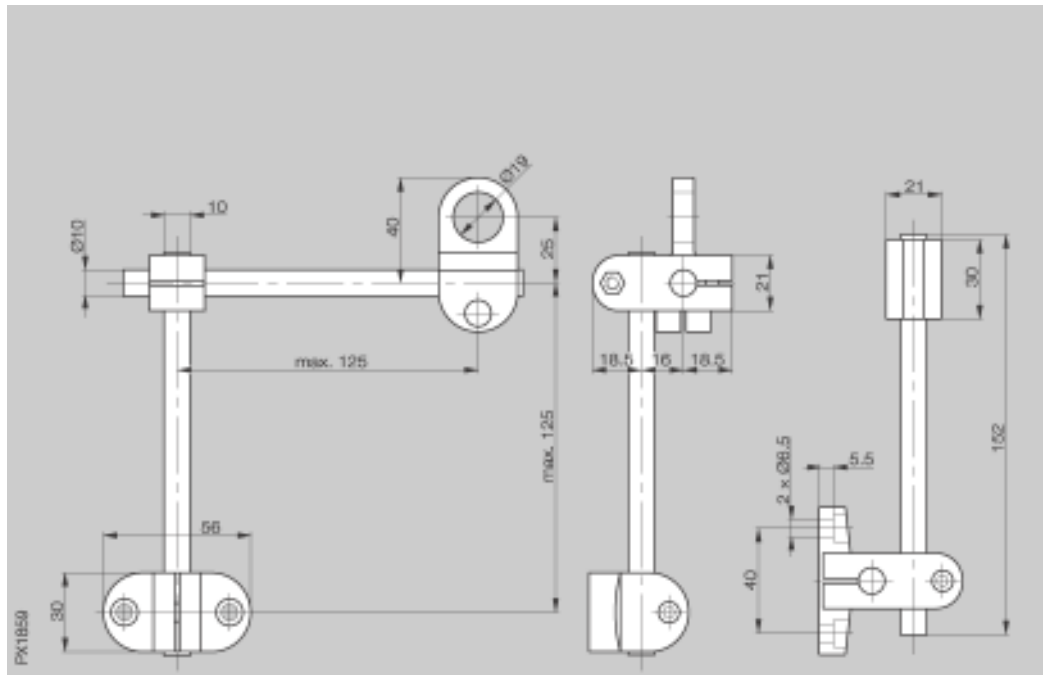
	Mounting cuff for sensors in series BOS 12M	Mounting clamp with ball joint for sensors in series BOS 18M	Mounting clamp for sensors in series BOS 18KF/KW
			
Ordering code	BOS 12,0-BS-1	BOS 18,0-KB-1	BOS 18,0-KB-2

	Mounting clamp with ball joint for sensors in series BOS 30M
	
Ordering code	BOS 30,0-KB-1



Description
Use

Holding system
for flexible installation,
may be combined with other Balluff accessories



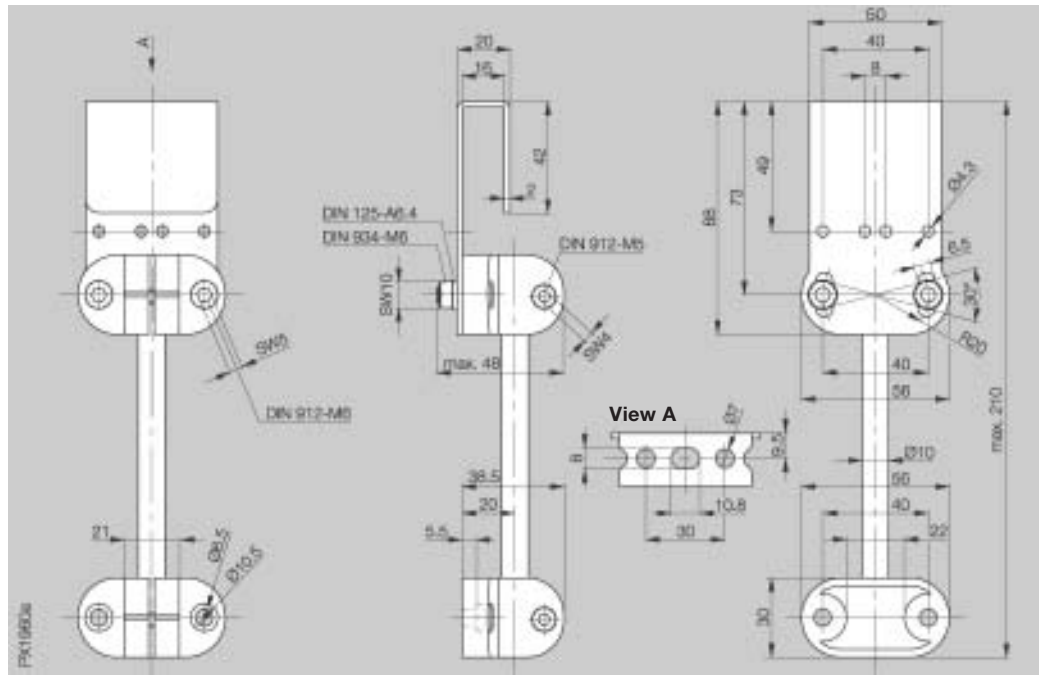
Ordering code

BOS 18-HS-1



Description
Use

Holding system
for flexible installation,
may be combined with other Balluff accessories



Ordering code

BOS 21-HS-1



2.3