

**AMP** AMP Connect

MAIN MENU HELP  
FAMILIES REGISTRATION

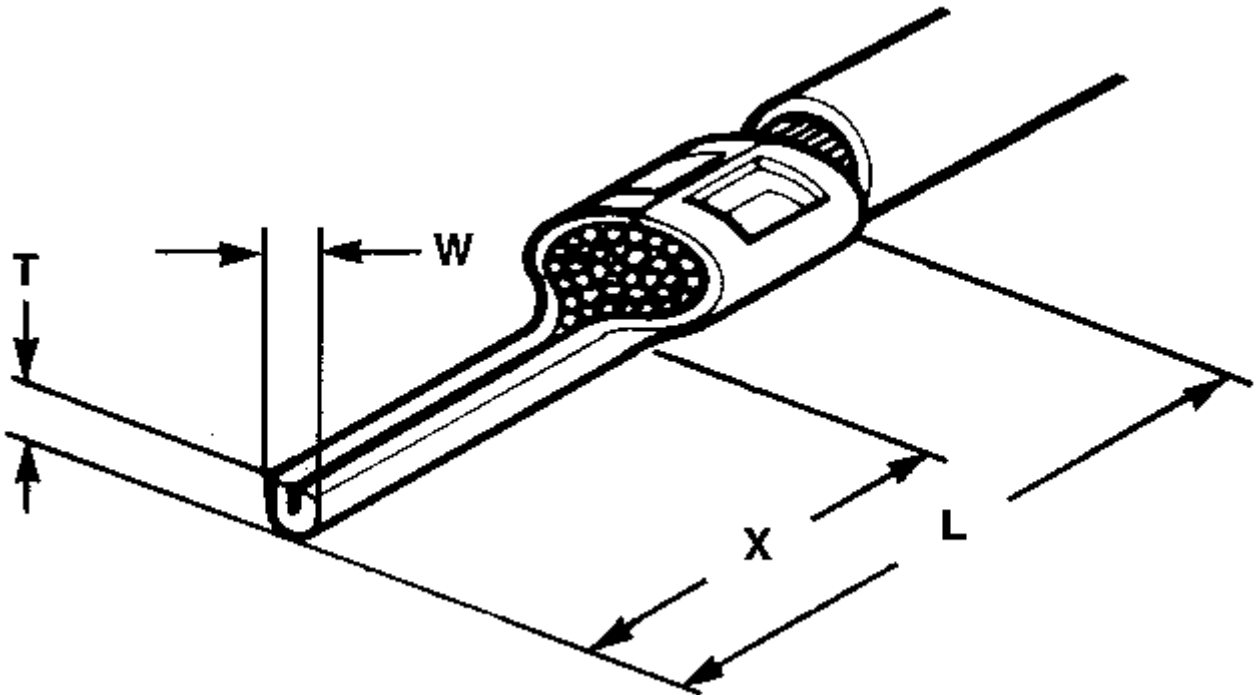
Alphabetical Picture Part Number  
**SEARCH SEARCH SEARCH**

Go To Step Search™ Screen

**180599** -- 1 of 1 products

Terminals and Splices  
Miscellaneous Terminals

General **INFO**  
Sales **INFO**  
Customer Drawings **SPECIFICATIONS**



*Line art represents typical product only.*

<b><i>Searchable Features:</i></b>	
<b>Product Type</b>	Wire Pin
<b>Insulation Support</b>	No
<b>Wire Range</b>	8 [6.70-10.50 <sup>2</sup> ] AWG [mm]
<b>Double Wire</b>	No
<b><i>Other Properties:</i></b>	
<b>Dim. L</b>	.858 [21.80] in. [mm]
<b>Dim. T</b>	.102 [2.60] in. [mm]
<b>Dim. W</b>	.102 [2.60] in. [mm]
<b>Dim. X</b>	.421 [10.70] in. [mm]
<b>Shape</b>	WIRE PIN-001
<b>Barrel Type</b>	Closed Barrel
<b>Receptacle Style</b>	Straight
<b>Insulation</b>	No
<b>Finish</b>	Tin
<b>Material</b>	Copper
<b>DIN Wire Size</b>	<[6.00-10.00 <sup>2</sup> ] in. [mm]
<b>Wire/Cable Type</b>	Regular Wire
<b>AMP Proprietary Name</b>	SOLISTRAND
<b>CERTI-CRIMP Hand Tool</b>	69355-0, 59975-1