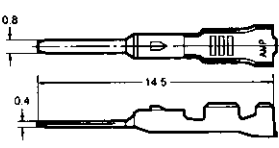
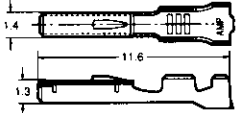
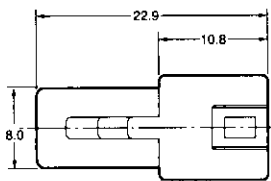
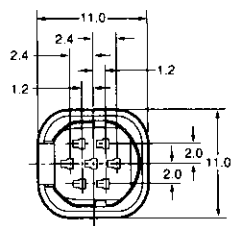
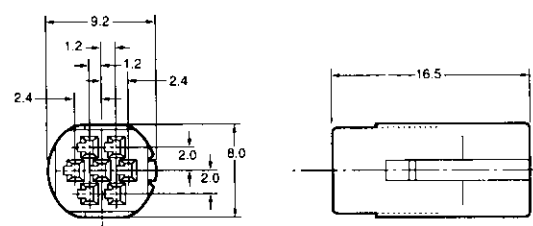
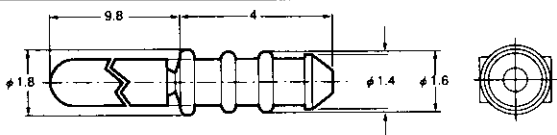


Mini Multi Lock Connectors

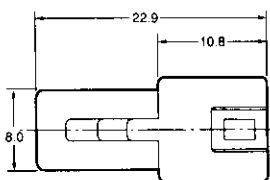
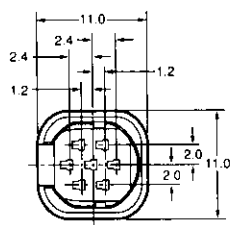
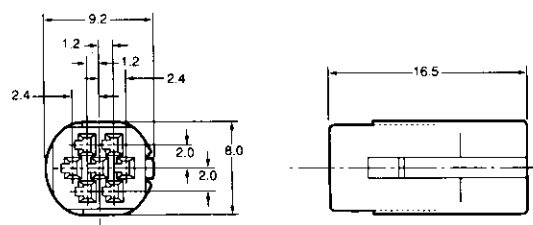
| Contact | | | | |
|--|---------------------------------------|--------------------|----------------------|-----------------|
| Contact | Wire Range | Wire Ins. Diameter | Material/Finish | Part No. S.T. |
| Tab  Crimp Specifications : 114-5193 | 0.3~0.5mm ^φ (AWG#22-20) | Ø1.4-1.7mm | Brass/Pre-tin | 917309-1 |
| Receptacle  Crimp Specifications : 114-5193 | 0.3~0.5mm ^φ (AWG#22-20) | Ø1.4-1.7mm | Copper Alloy/Pre-tin | 917308-1 |

| Cap | 7 Pos. | Plug |
|--|---|---|
| The waterproof version P/N : 917319-4  | 7 Pos.  | The waterproof version P/N : 917318-4  |

*The figures in □ after part numbers vary according to housing color, the material is of PBT with glass. *The material of rubber stopper is silicon rubber.

| Cavity Plug | |
|---|--|
| The waterproof version P/N : 316390-7 The cavity plug is used to plug empty cavities. |  |

*The color of cavity plug is yellow, and its material is of PBT.

| The non-waterproof version P/N : 353900-4 | 7 Pos. | The non-waterproof version P/N : 353899-4 |
|---|--|--|
|  | 7 Pos.  |  |

*The color of housings is light green, the material is of PBT with glass.