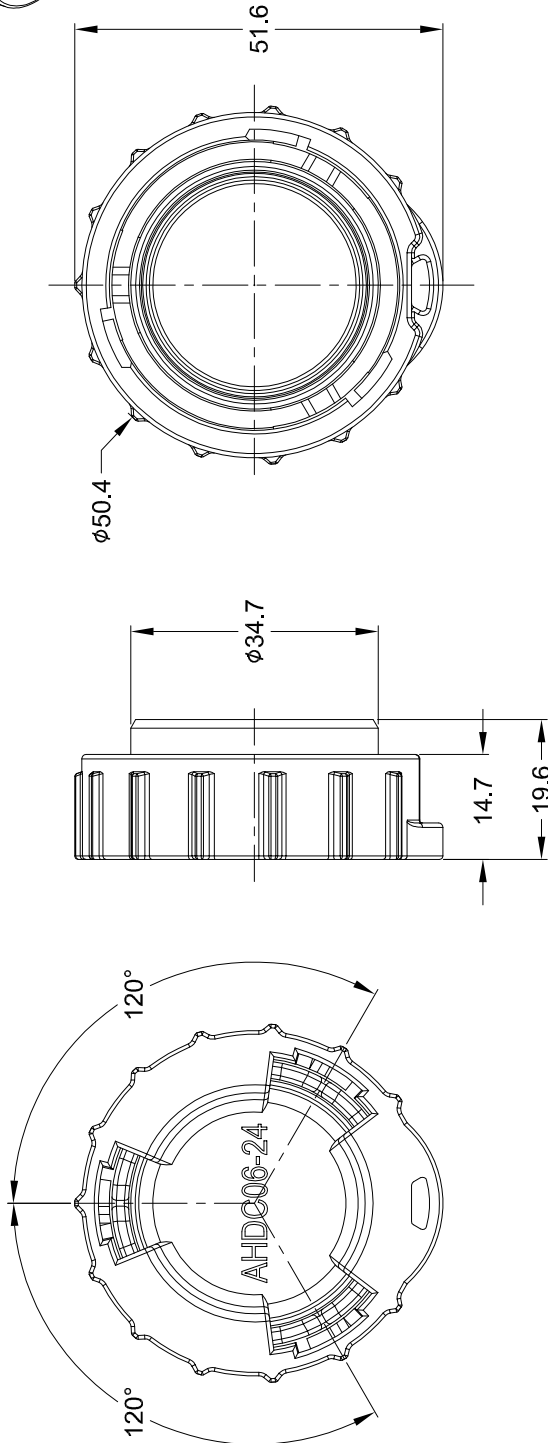
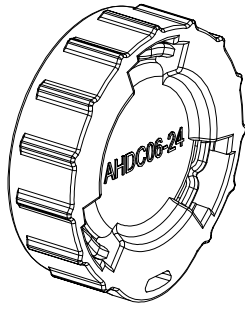



REVISIONS

REV	ECO	DESCRIPTION	DATE	BY	APPR
A1		RELEASE NEW PRODUCT	02MAR18	RIMON	TOMMY



NOTES: UNLESS OTHERWISE SPECIFIED

1. MATERIAL: THERMOPLASTIC
2. COLORS: BLACK
3. RoHS COMPLIANT
4. COMPATIBLE WITH ALL SIZE 24 AHDP SERIES RECEPTACLE.
5. ALL DIMENSIONS ARE FOR REFERENCE USE ONLY.

QUANTITY	AHDC06-24	PART NUMBER	DESCRIPTION	ITEM
<b>MATERIALS LIST</b>				
UNLESS OTHERWISE SPECIFIED		SIGNATURES	DATE	
1) All dimensions are in metric (mm).		DRAWN: RIMON/MA	02MAR18	
2) Tolerances are as follows:		CHECKED: ORION/LJ	02MAR18	
1 PL DEC #0.30		ENGINEER:		
2 PL DEC #0.15		APPROVAL: TOMMY/XIE	02MAR18	
3 PL DEC #0.08		CUSTOMER:		
3) Note reference = 		MATERIAL SPECIFICATIONS:		
THIS DRAWING IS SUPPLIED FOR INFORMATION ONLY. DESIGN FEATURES, SPECIFICATIONS AND PERFORMANCE DATA SHOWN HEREON ARE THE PROPERTY OF AMPHENOL. ALL RIGHTS RESERVED. DIMENSIONS AND WEIGHTS OF REPRODUCTION ARE IMPLIED. ALL DIMENSIONS ARE SUBJECT TO NORMAL MANUFACTURING VARIATIONS.				
PROCESS SPECIFICATIONS:				
NEXT ASSY:				
SIZE	A	TYPE	C-	DWG NO:
SCALE	NONE	PROTECTIVE CAP FOR RECEPTACLES, AHDP SERIES, SIZE 24		REVISION
				A1
				SHEET 1 OF 1

**Amphenol**

Sine Systems - www.amphenol-sine.com  
44724 Morley Drive  
Clinton Township, MI 48036