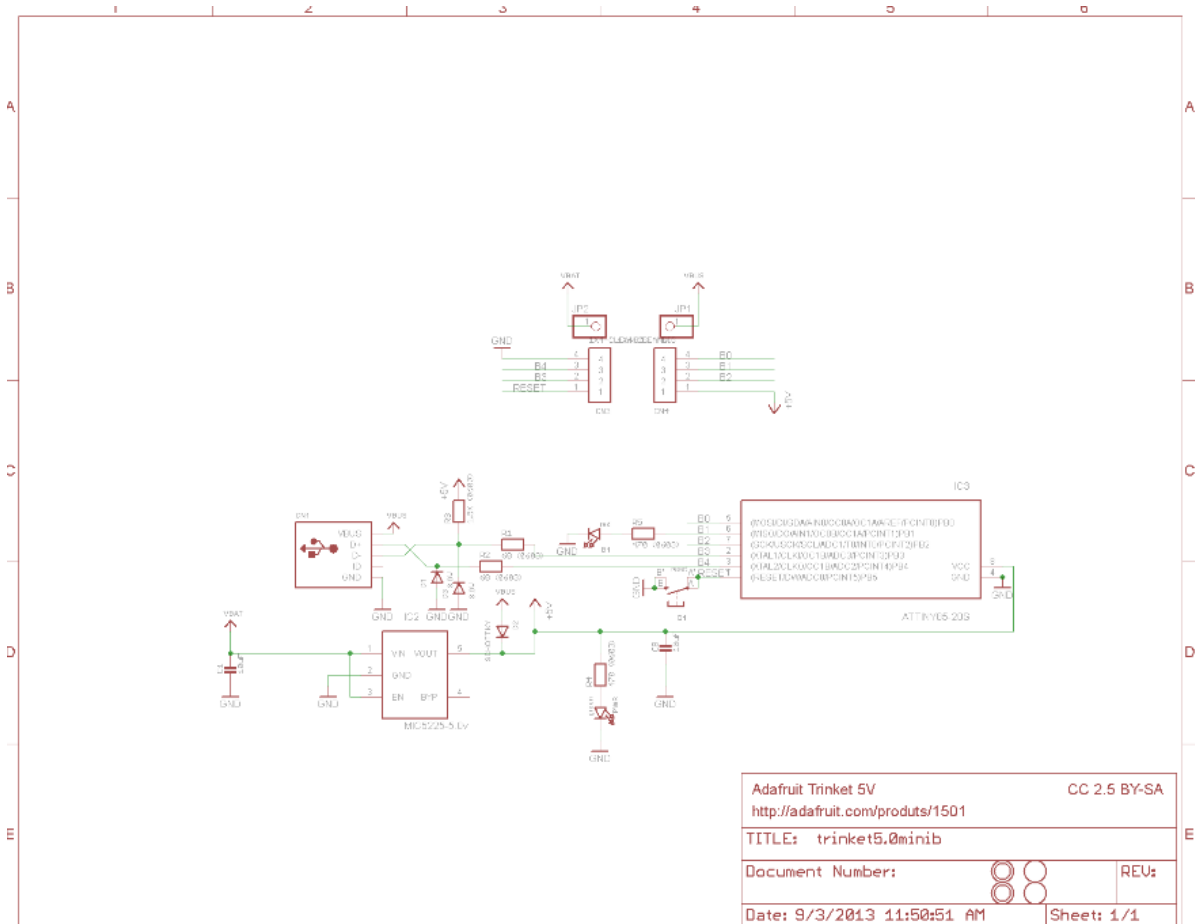
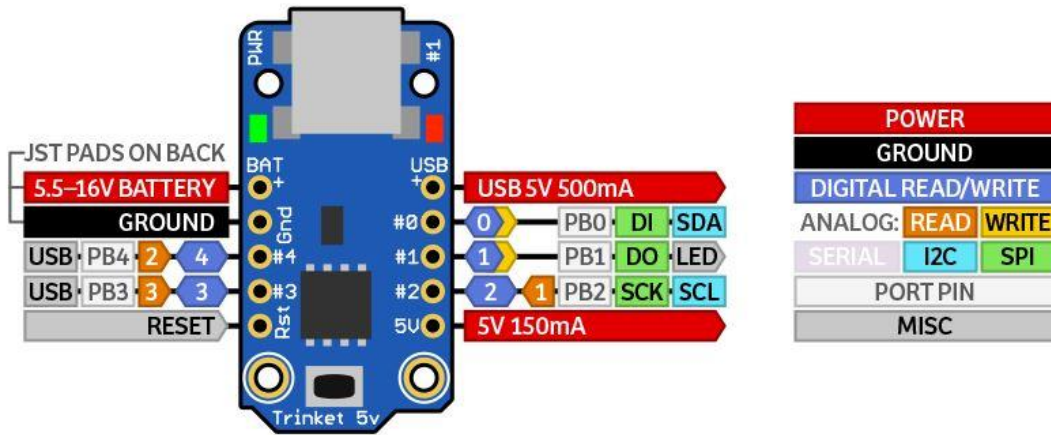


Adafruit Trinket 5V & 3.3V Pinout and Schematics

TRINKET 5V



Adafruit Trinket 5V & 3.3V Pinout and Schematics

