

FSG2NE

pressure switch FSG 4.6 bar - adjustable scale
2 thresholds - 2NC



Main

| | |
|-----------------------------------|--|
| Range of product | OsiSense XM |
| Pressure sensor type | Electromechanical pressure sensor |
| Pressure sensor name | FSG |
| Pressure sensor size | 66.72 psi (4.6 bar) |
| Fluid connection type | G 1/4 (female) ISO 228 |
| Controlled fluid | Fresh water 32...158 °F (0...70 °C) Sea water 32...158 °F (0...70 °C) |
| Cable entry | 2 entries incorporating Pg 13.5 plastic cable gland, cable outer diameter: 9...13 mm conforming to NF C 68-300 |
| Contacts type and composition | 2 NC snap action |
| Product specific application | - |
| Pressure switch type of operation | Regulation between 2 thresholds |
| Line Rated Current | 10 A 250 V AC EN 60730-1 |
| Electrical connection | Screw-clamp terminals 1 x 1...2 x 2 mm ² |
| Short-circuit protection | 20 A cartridge fuse, type gG |
| Scale type | Adjustable differential |
| Setting | Internal |
| Local display | Without |
| Electrical circuit type | Power circuit |

Complementary

| | |
|---|---|
| Materials in contact with fluid | Zinc plated steel Nitrile Nylon 6/6 |
| Enclosure material | PS |
| Operating position | Any position |
| Motor power kW | 0.75 KW 1 hp 110 V AC, 1 phase 1.1 KW 1.5 hp 110 V AC, 3 phase 1.5 KW 2 hp 230 V AC, 1 phase 1.5 KW 2 hp 400 V AC, 1 phase 2.2 KW 3 hp 230 V AC, 3 phase 2.2 kW 3 hp 400 V AC, 3 phase |
| Adjustable range of switching point on falling pressure | 4.35...49.31 psi (0.3...3.4 bar) |
| Adjustable range of switching point on rising pressure | 20.31...66.72 psi (1.4...4.6 bar) |
| Possible differential minimum at low setting | 14.50 psi (1 bar) |
| Possible differential minimum at high setting | 17.40 psi (1.2 bar) |
| Possible differential maximum at low setting | 30.46 psi (2.1 bar) |
| Possible differential maximum at high setting | 33.36 psi (2.3 bar) |
| Maximum permissible accidental pressure | 116.03 psi (8 bar) |
| Maximum permissible pressure - per cycle | 83.40 psi (5.75 bar) |
| Destruction pressure | 290.08 psi (20 bar) |
| Pressure actuator | Diaphragm |
| Electrical durability | 100000 cycles 10 cyc/mn |
| Mechanical durability | 1000000 cycles |
| Terminal block type | 4 terminals |
| Possible differential minimum at middle setting | 15.95 psi (1.1 bar) |

| | |
|---|-----------------------|
| Possible differential maximum at middle setting | 31.91 psi (2.2 bar) |
| Maximum operating rate | 10 cyc/mn |
| [Ui] rated insulation voltage | 500 V EN/IEC 60947-1 |
| [Uimp] rated impulse withstand voltage | 6 kV EN/IEC 60947-1 |
| Net Weight | 0.79 lb(US) (0.36 kg) |
| Repeat accuracy | 2 % |
| Terminals description ISO n°1 | (1-2)NC (3-4)NC |
| Depth | 4.17 in (106 mm) |
| Height | 4.53 in (115 mm) |
| Maximum Width | 2.83 in (72 mm) |

Environment

| | |
|---------------------------------------|---------------------------------|
| Standards | CE EN/IEC 60730 |
| Ambient air temperature for operation | 32...113 °F (0...45 °C) |
| Ambient air temperature for storage | -22...176 °F (-30...80 °C) |
| Protective treatment | TC |
| Electrical shock protection class | Class I IEC 536 |
| IP degree of protection | IP65 conforming to EN/IEC 60529 |

Ordering and shipping details

| | |
|---------------------|------------------------------------|
| Category | 22661-XMLA,B,C,D PRESSURE SWITCHES |
| Discount Schedule | DS2 |
| GTIN | 03389110249347 |
| Package weight(Lbs) | 0.88 lb(US) (0.400 kg) |
| Returnability | No |
| Country of origin | MX |

Packing Units

| | |
|------------------|----------|
| Package 1 Height | 0.800 dm |
| Package 1 width | 1.100 dm |
| Package 1 Length | 1.100 dm |

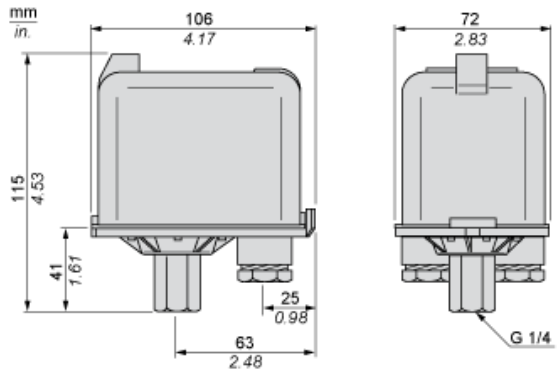
Offer Sustainability

| | |
|----------------------------|---|
| California proposition 65 | WARNING: This product can expose you to chemicals including: Diisononyl phthalate (DINP), which is known to the State of California to cause cancer, and Di-isodecyl phthalate (DIDP), which is known to the State of California to cause birth defects or other reproductive harm. For more information go to www.P65Warnings.ca.gov |
| EU RoHS Directive | Compliant EU RoHS Declaration |
| Mercury free | Yes |
| RoHS exemption information | Yes |
| Environmental Disclosure | Product Environmental Profile |
| Circularity Profile | End Of Life Information |

Contractual warranty

| | |
|----------|-----------|
| Warranty | 18 months |
|----------|-----------|

Dimensions



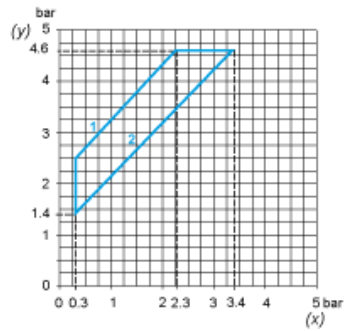
Wiring Diagram

Connections

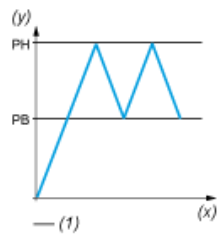


Curves

Operating Curves



- (y) Rising pressure
- (x) Falling pressure
- 1 : Maximum differential
- 2 : Minimum differential



- (y) Pressure
- (x) Time
- (1) Adjustable value