

(2.54 mm) .100"

PEC SERIES

POWER EDGE CARD CONNECTOR

SPECIFICATIONS

For complete specifications and recommended PCB layouts see www.samtec.com?PEC

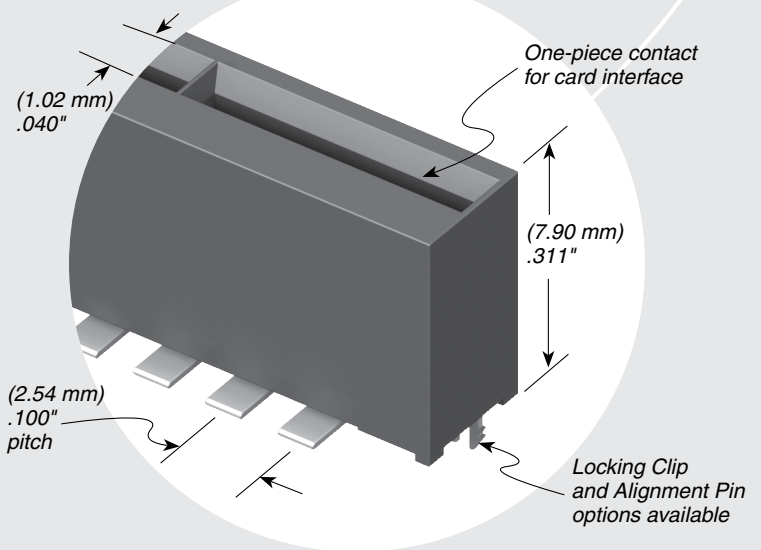
- Insulator Material:**
Black Liquid Crystal Polymer
- Contact Material:**
BeCu
- Plating:**
Sn over 50 μ" (1.27 μm) Ni
- Current Rating:**
7.5 A per pin
(1 pin powered)
- Operating Temp Range:**
-55 °C to +105 °C
- Voltage Rating:**
250 VAC
- RoHS Compliant:**
Yes

PROCESSING

- Lead-Free Solderable:**
Yes
- SMT Lead Coplanarity:**
(0.10 mm) .004" max

RECOGNITIONS

For complete scope of recognitions see www.samtec.com/quality



PEC	NO. PINS PER ROW	LEAD STYLE	PLATING OPTION	S	OPTION
	-03, -07, -10	-01 = Straight Tail -02 = Surface Mount	-T = Matte Tin		-A = Alignment Pin (Not available with -LC) -LC = Locking Clip (Manual placement required) (Not available with -A)

NO. OF POSITIONS	A	B	C
-03	(12.70) .500	(11.43) .450	N/A
-07	(22.86) .900	(21.59) .850	(8.89) .350
-10	(30.48) 1.200	(29.21) 1.150	(11.43) .450

Note:
Some sizes, styles and options are non-standard, non-returnable.

Mouser Electronics

Authorized Distributor

Click to View Pricing, Inventory, Delivery & Lifecycle Information:

Samtec:

[PEC-03-01-T-S](#) [PEC-03-02-T-S-LC](#) [PEC-03-02-T-S-A](#) [PEC-10-02-T-S-A](#) [PEC-03-01-T-S-A](#) [PEC-07-02-T-S-LC](#)
[PEC-10-01-T-S-A](#) [PEC-10-02-T-S-LC](#) [PEC-07-02-T-S-A](#) [PEC-10-01-T-S](#) [PEC-03-02-T-S](#) [PEC-10-01-TM-S-LC](#) [PEC-](#)
[10-02-TM-S-A](#) [PEC-10-02-T-S](#) [PEC-07-01-T-S-A](#) [PEC-07-01-T-S](#) [PEC-07-02-T-S](#) [PEC-10-01-T-S-LC](#) [PEC-10-02-](#)
[TM-S-LC](#) [PEC-03-01-T-S-LC](#) [PEC-07-01-T-S-LC](#)