

D-Sub Connectors: Right Angle, High Density, 0.350" (8.89mm) Footprint

Features:

- High density three contact rows with 0.350"(8.89mm) footprint, right angle bend
- Standard contact spacing and row spacing
- Optional 9th pin recessed on 15 contact size in accordance with VESA Display Data Channel standard
- Plug and receptacle in 15, 26, 44, 62 or 78 contact sizes
- Pin and socket contact mating design with P.C. tail termination
- Metal shell provides EMI/RFI shielding, plug shell indents provide grounding and additional mating retention
- Board mounting features include threaded hole, two or four prong boardlock for exceptional retention to P.C. board
- Flange mounting options for panel mount or connector mating include through hole, threaded holes and threaded standoffs
- D-shaped connector mating outline provides polarization
- Design based on requirements of MIL-C-24038, EIA RS-232 and RS-449



Specifications:

Insulator Material	Thermoplastic Polyester, UL 94V-0, Chemical Resistant
Contact Material	Plug (Pins): Copper Alloy Receptacle (Socket): Copper Alloy
Contact Plating	Selective Gold (See Ordering Code) over Nickel for the Mating Area, Tin Plating for Tail Area
Shell Material	Nickel Plated Steel
Current Rating	3 amps
Contact Resistance	25 Milliohms maximum
Insulation Resistance	5000 megaohms minimum
Dielectric Withstanding Voltage	1000 V AC rms at Sea Level
Operating Temperature	-55°C To +85°C (upto +125°C for high temp)
Insertion Force	16 oz (4.45 N) Maximum Per Contact Position
Withdrawal Force	1 oz (0.28 N) Minimum Per Contact Position

Ordering Code:

634-015-263-032

SERIES: _____
 633: PLUG (PIN)
 634: RECEPTACLE (SOCKET)

NO. OF CONTACTS: _____
 015 - 15 CONTACTS 026 - 26 CONTACTS
 044 - 44 CONTACTS 062 - 62 CONTACTS
 078 - 78 CONTACTS

CONTACT FINISH CODE: _____
 2 - GOLD FLASH PLATING
 3 - 15 MICROINCHES OF GOLD PLATING
 6 - 30 MICROINCHES OF GOLD PLATING

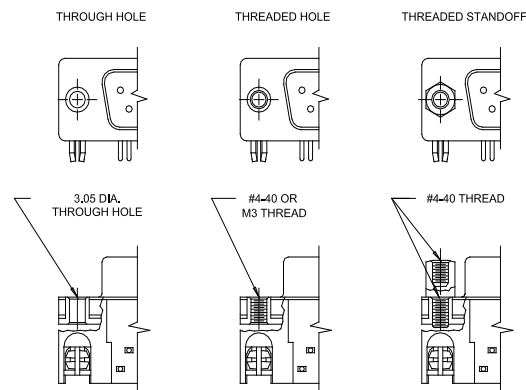
CONTACT CODE: _____
 63 - STANDARD CONTACT
 74 - 9TH PIN CONTACT RECESSED FOR 15-PIN, BLUE INSULATOR (RECEPTACLE ONLY)

FLANGE MOUNTING OPTIONS:
 0 - #4-40 THREADED FIXED STANDOFF
 1 - Ø.120"(Ø3.05MM) THROUGH HOLE
 2 - #4-40 THREADED HOLE
 3 - #4-40 THREADED STANDOFF
 5 - M3 THREADED HOLE

BOARD MOUNTING FEATURE:
 1 - Ø.120"(Ø3.05MM) THROUGH HOLE
 3 - TWO PRONG BOARDLOCKS
 4 - FOUR PRONG BOARDLOCKS
 5 - #4-40 THREADED HOLE
 (78 CONTACTS ONLY AVAILABLE WITH TWO PRONG BOARDLOCKS)

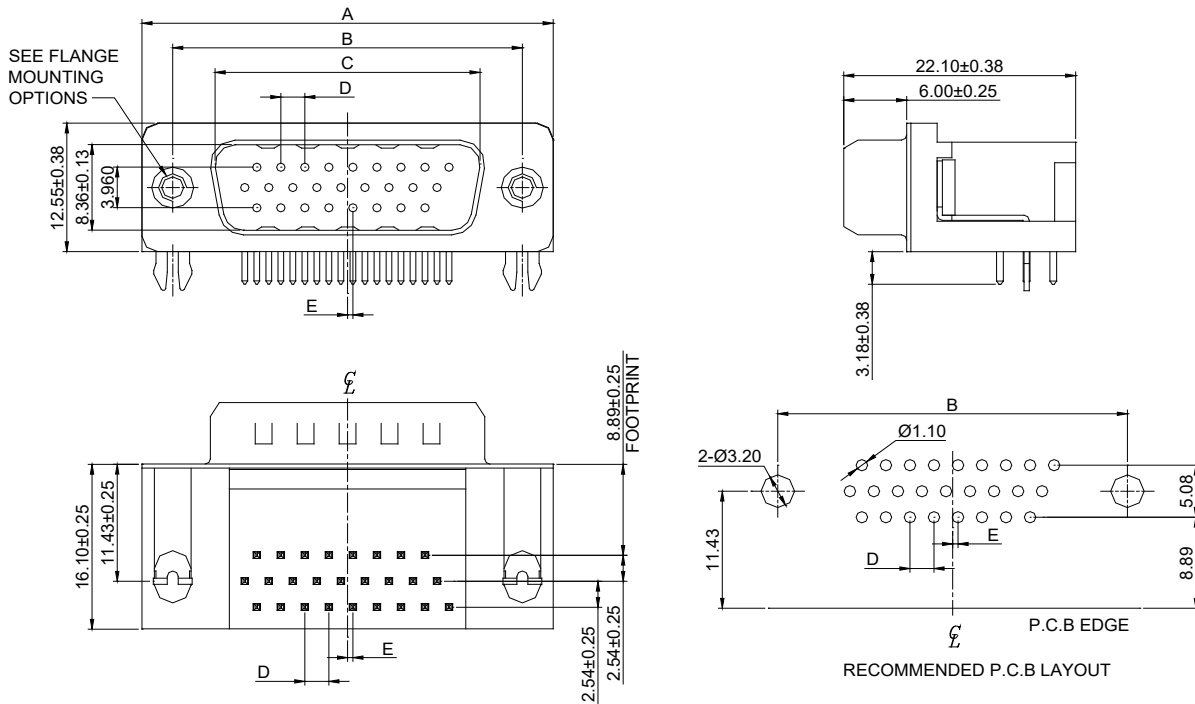
MATERIAL CODE:
 0 - STANDARD
 5 - HIGH TEMP INSULATOR

FLANGE MOUNTING OPTIONS



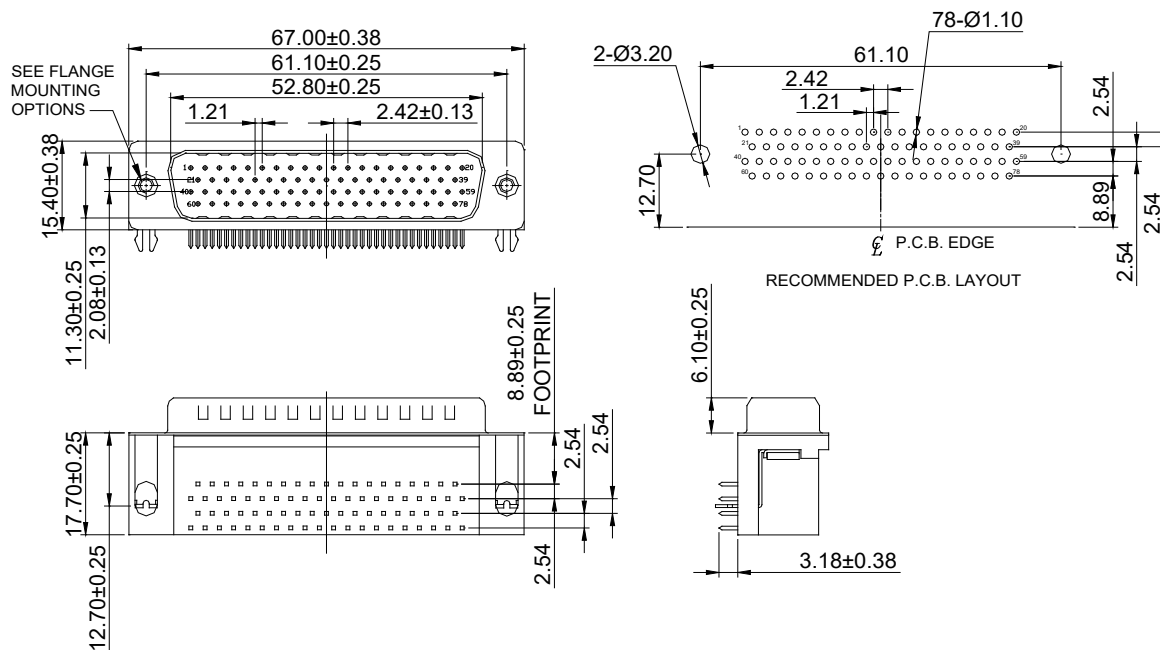
D-Sub Connectors: Right Angle, High Density, 0.350" (8.89mm) Footprint

PLUG 633 SERIES (15 TO 62 PINS)



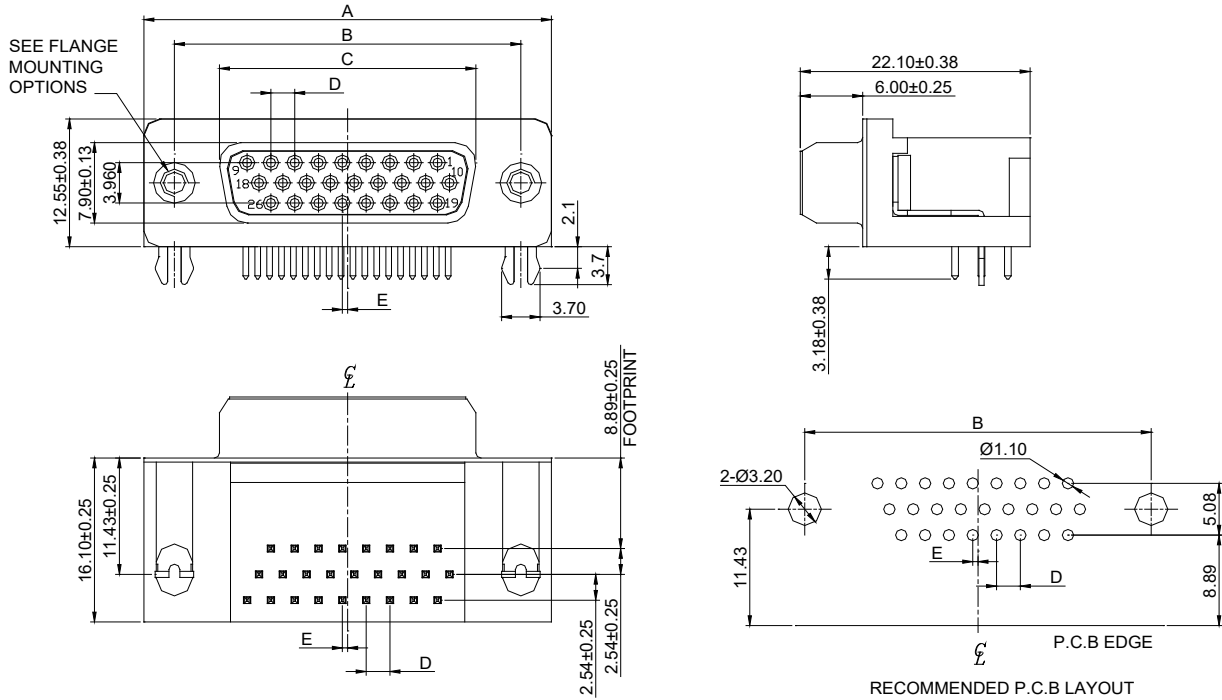
NUMBER OF CONTACTS	A±0.38		B±0.25		C±0.13		D±0.13		E±0.25	
	Inch	(mm)	Inch	(mm)	Inch	(mm)	Inch	(mm)	Inch	(mm)
15	1.213	(30.81)	.984	(24.99)	.666	(16.92)	.090	(2.29)	.010	(0.25)
26	1.543	(39.19)	1.312	(33.32)	.994	(25.25)	.090	(2.29)	.020	(0.51)
44	2.088	(53.04)	1.852	(47.04)	1.534	(38.96)	.090	(2.29)	.020	(0.51)
62	2.729	(69.32)	2.500	(63.50)	2.182	(55.42)	.095	(2.41)	.023	(0.58)

PLUG 633 SERIES (78 PINS)



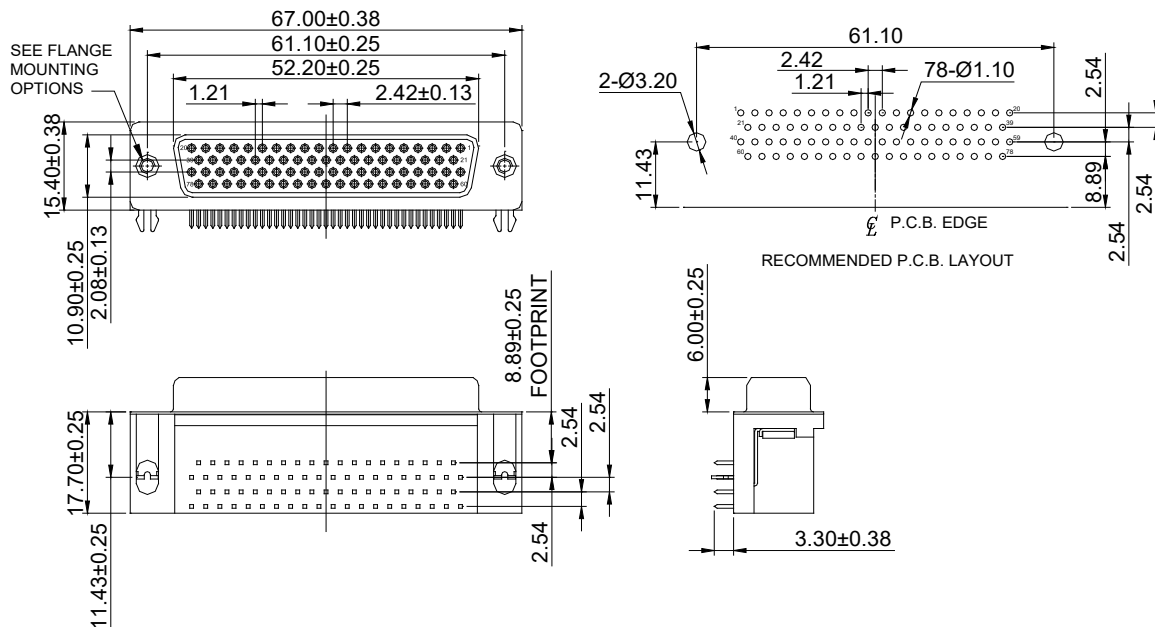
D-Sub Connectors: Right Angle, High Density, 0.350" (8.89mm) Footprint

RECEPTACLE 634 SERIES (15 TO 62 PINS)



NUMBER OF CONTACTS	A±0.38		B±0.25		C±0.13		D±0.13		E±0.25	
	Inch	(mm)	Inch	(mm)	Inch	(mm)	Inch	(mm)	Inch	(mm)
15	1.213	(30.81)	.984	(24.99)	.643	(16.33)	.090	(2.29)	.010	(0.25)
26	1.543	(39.19)	1.312	(33.32)	.971	(24.66)	.090	(2.29)	.020	(0.51)
44	2.088	(53.04)	1.852	(47.04)	1.511	(38.38)	.090	(2.29)	.020	(0.51)
62	2.729	(69.32)	2.500	(63.50)	2.159	(54.84)	.095	(2.41)	.023	(0.58)

RECEPTACLE 634 SERIES (78 PINS)



Mouser Electronics

Authorized Distributor

Click to View Pricing, Inventory, Delivery & Lifecycle Information:

EDAC:

[634-015-263-033](#) [633-015-263-033](#) [633-026-263-033](#) [633-026-663-042](#) [633-044-263-041](#) [634-015-263-040](#) [634-026-263-041](#) [634-026-263-030](#) [634-026-263-031](#) [634-026-263-033](#) [634-044-263-013](#) [634-044-263-542](#) [633-015-263-032](#) [633-026-263-032](#) [634-015-263-042](#) [634-015-263-043](#) [634-015-663-042](#) [634-015-663-043](#) [634-026-263-042](#) [634-026-263-043](#) [634-026-663-042](#) [634-044-263-042](#) [634-044-263-043](#) [634-044-663-043](#) [634-078-263-032](#) [633-078-263-032](#) [634-015-263-032](#) [633-015-663-032](#) [634-044-663-042](#) [634-078-663-032](#) [633-015-263-042](#) [634-015-274-033](#) [634-015-674-040](#) [633-026-263-031](#) [633-044-263-012](#) [633-044-263-033](#) [634-015-263-013](#) [634-015-263-041](#) [634-015-263-030](#) [634-062-263-041](#) [634-062-663-041](#) [634-015-663-041](#) [634-015-663-013](#) [634-026-663-041](#) [634-026-663-030](#) [634-044-263-041](#) [634-044-663-041](#) [634-026-263-032](#) [633-044-263-032](#) [633-044-663-043](#) [633-062-263-032](#) [633-015-263-013](#) [633-015-263-031](#) [633-015-263-045](#) [633-015-263-052](#) [633-015-263-040](#) [633-015-263-510](#) [633-015-263-511](#) [633-015-263-535](#) [633-015-263-552](#) [633-015-263-015](#) [633-015-263-541](#) [633-015-263-050](#) [633-015-263-513](#) [633-015-363-515](#) [633-015-363-550](#) [633-015-663-035](#) [633-015-663-545](#) [633-015-663-555](#) [633-026-263-513](#) [633-026-263-541](#) [633-026-363-032](#) [633-015-263-545](#) [633-015-363-050](#) [633-015-363-053](#) [633-015-363-532](#) [633-015-363-552](#) [633-015-663-033](#) [633-015-663-053](#) [633-015-263-010](#) [633-015-263-012](#) [633-015-263-030](#) [633-015-363-013](#) [633-015-363-030](#) [633-015-363-510](#) [633-015-363-533](#) [633-015-663-011](#) [633-015-663-553](#) [633-026-263-011](#) [633-015-263-051](#) [633-015-263-540](#) [633-015-263-551](#) [633-015-663-012](#) [633-015-663-013](#) [633-015-663-510](#) [633-015-263-035](#) [633-015-263-515](#) [633-015-263-531](#) [633-015-263-543](#) [633-015-663-031](#)