



Description

Enclosure Feet are strong, flexible and highly resilient. Among their many features is their ability to withstand shock and vibration whilst being both non-slip and non-marking. They are supplied kiss-cut on a sheet to allow ease of removal and aid the speed of application.

Features:

Material	: Polyurethane
Tolerances	: ±0.25mm
External Width	: 16mm
External Length / Height	: 7.9mm
Min Service Temperatur	: -30°C
Max Service Temperatur	: +100°C

Polyurethane Physical Properties

Property	Test Method	Clear	Coloured
Hardness (shore A)	ASTN D-2240	66-70	66-70
Tensile Strength (Mpa)	BS903	4.5MN/m2	4.5MN/m2
Elongation (%)	BS903	193	193
Tear Strength (KN/m)	BS903	14.4	14.4
Abrasion Resistance (MG loss)	BS EN 5470-1:1999	150	150
Load Tolerance 21°C to 60°C		Min 3 Mpa	Min 3 Mpa
Flame Retardency	UL94HB (in house)	Pass	Pass
Kinetic Coefficient of friction	ASTM D-1894-78		
	A Stainless Steel	2.52	2.52
	B Glass	2.7	2.7
	D High impact polystyrene	2.37	2.37

Shelf-Life - 12 months when stored in original packaging at room temperature

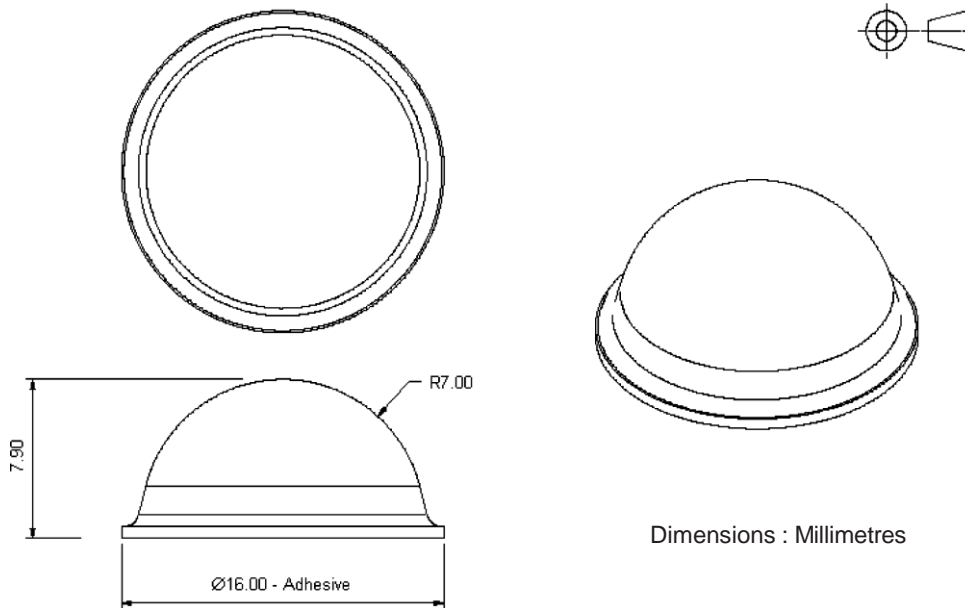
Peel & Shear Data (see the Table on the Page 2)

• FINAT 1 : 90° Peeling test, 300mm/min.
Samples width: 25x145mm – Load 2 back and forth with roll of 2 kg

• FINAT 8 : Shear test
Samples width: 25x25mm – Load 2 back and forth with roll of 2 kg

Surface Material	Test Method	Acrylic Standard on Coloured	
		20min 23°C 50% RH	24h 23°C 50% RH
Stainless Steel	Peel FINAT 1 Unit N/25mm	12.8	15.5
Aluminium		7.8	14.0
Glass		17.0	19.3
HPDE		3.8	3.8
Polystyrene		15.3	17.3
ABS		12.8	19.5
Stainless Steel	Shear FINAT 8	-	>300h

Diagram



Part Number Table

Description	Part Number
Feet, Stick on, 7.9mm x 16mm Dia, Black, PK40	PD.2150BL
Feet, Stick on, 7.9mm x 16mm Dia, Gray, PK40	PD.2150G

Important Notice : This data sheet and its contents (the "Information") belong to the members of the AVNET group of companies (the "Group") or are licensed to it. No licence is granted for the use of it other than for information purposes in connection with the products to which it relates. No licence of any intellectual property rights is granted. The Information is subject to change without notice and replaces all data sheets previously supplied. The Information supplied is believed to be accurate but the Group assumes no responsibility for its accuracy or completeness, any error in or omission from it or for any use made of it. Users of this data sheet should check for themselves the Information and the suitability of the products for their purpose and not make any assumptions based on information included or omitted. Liability for loss or damage resulting from any reliance on the Information or use of it (including liability resulting from negligence or where the Group was aware of the possibility of such loss or damage arising) is excluded. This will not operate to limit or restrict the Group's liability for death or personal injury resulting from its negligence. Multicomp Pro is the registered trademark of Premier Farnell Limited 2019.