

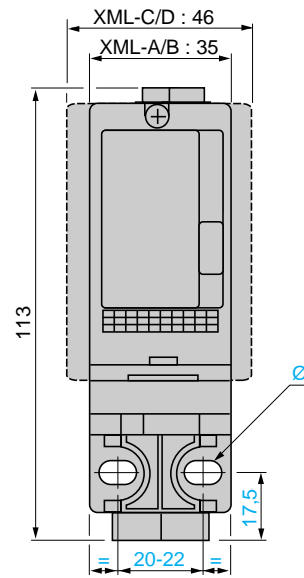
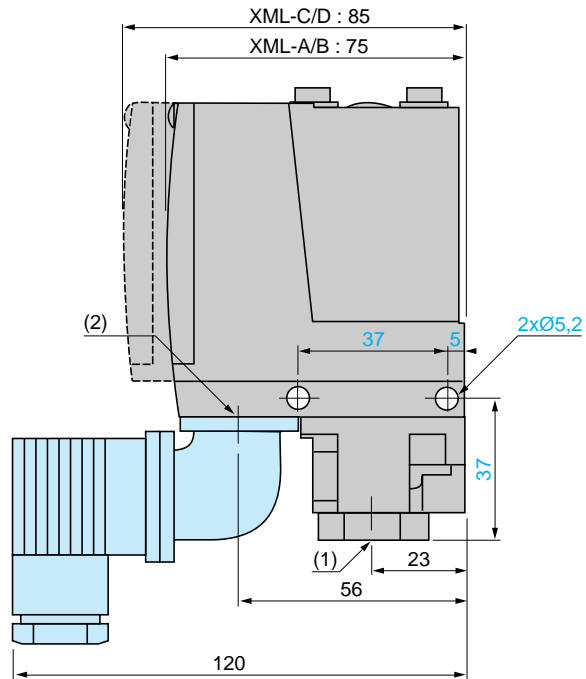
Electromechanical pressure and vacuum switches Nautilus®

For control circuits, type XML

Dimensions

Characteristics :
pages 3/9 to 3/61
References :
pages 3/10 to 3/61

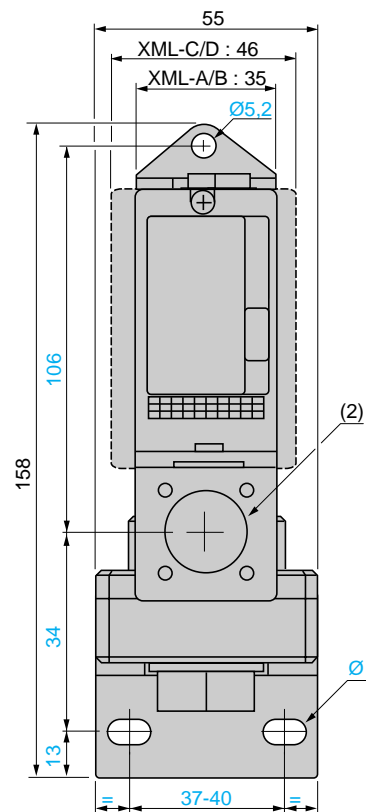
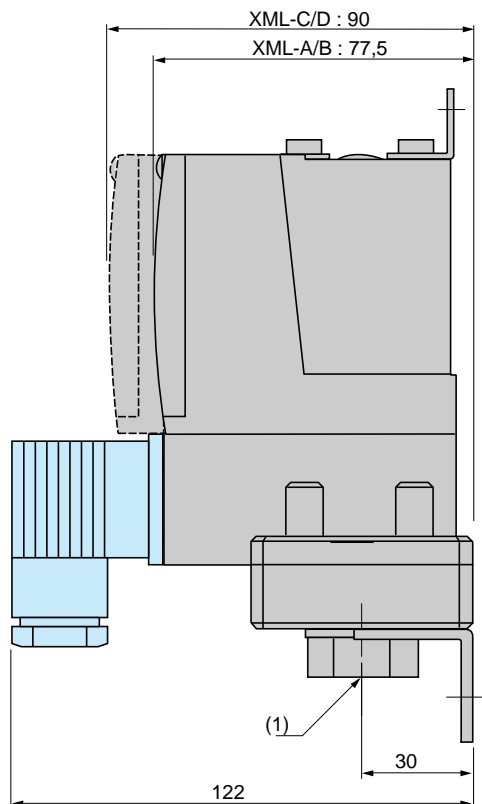
XML-AM01, XML-BM05, XML-CM05, XML-A004, XML-010 to 500



- (1) 1 fluid entry, tapped 1/4" BSP (female)
- (2) 1 electrical connections entry, tapped ISO M20

Ø : 2 elongated holes 5.2 x 6.7

XML-M02, XML-002, XML-B004, XML-C004, XML-D004



- (1) 1 fluid entry, tapped 1/4" BSP (female)
- (2) 1 electrical connections entry, tapped ISO M20

Ø : 2 elongated holes Ø 5.2 x 6.7