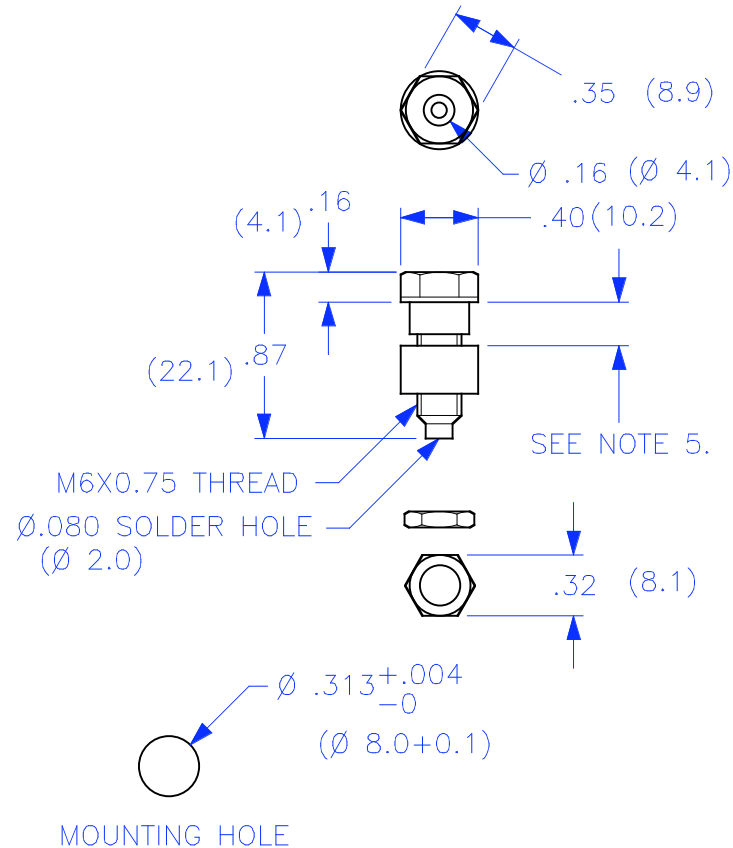


THIS IS ISSUED IN STRICT CONFIDENCE THAT IT IS NOT USED AS A BASIS FOR MANUFACTURE OR SALE AND THAT IT IS NOT COPIED, REPRINTED OR DISCLOSED TO A THIRD PARTY EITHER WHOLLY OR IN PART WITHOUT THE PRIOR WRITTEN CONSENT OF CAL TEST ELECTRONICS, INC.

REVISIONS			
REV.	DESCRIPTIONS	DATE	APPROVED
—	CLASS A RELEASED	7/11/99	

- 4mm INSULATED JACK, SOLDER.
- SPECIFICATIONS:  
INSULATOR: POLYAMIDE (NYLON)  
JACK BODY: BRASS, NICKEL PLATED  
NUT: BRASS, NICKEL PLATED
- RATING:  
VOLTAGE: 1,200V AC/DC  
CURRENT: 36A MAX.  
TEMPERATURE: -20° C TO +80° C.
- MOUNTING HOLE: REFERENCE DIAGRAM.
- MAXIMUM PANEL THICKNESS: .20 (5.1)



**PART NUMBER**

**CT2228-#**

COLOR: 0 — BLACK  
2 — RED  
4 — YELLOW  
5 — GREEN  
6 — BLUE  
9 — WHITE

THIRD ANGLE PROJECTION		UNLESS OTHERWISE SPECIFIED DIMENSIONS ARE IN INCHES TOLERANCES ARE: FRACTIONS DECIMALS ± 1/32 .XX ± .02 .XXX ± .005 DO NOT SCALE DRAWING	CONTRACT NO.		<b>Cal Test Electronics</b> 22820 Savi Ranch Parkway Yorba Linda, CA 92887-4610			
			APPROVALS	DATE	TITLE			
MATERIAL		DRAWN	WDH	7/11/99	4mm INSULATED JACK, SOLDER			
FINISH		CHECKED			SIZE	CAGE CODE	DWG. NO.	REV.
NEXT ASSY		ENGR.			A	43F45	P222800	—
USED ON		DESIGN ACTIVITY			SCALE	1:1	SHEET	1 OF 1
APPLICATION								