

Product Male cable connector, green
Area Snap-in connectors IP 67

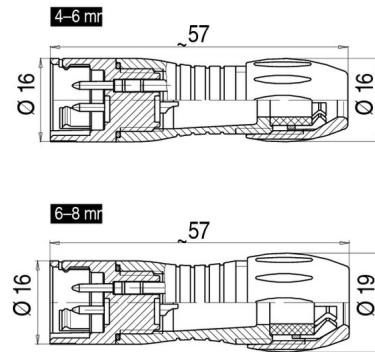
serie 720

Pole 3
Article number 99 9105 70 03

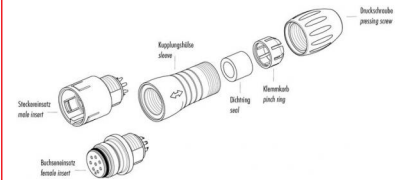
illustration



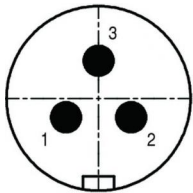
scale drawing



Item description



Contact Arrangement



	X	Y
1	-2,43	-1,40
2	2,43	-1,40
3	0,00	2,80

Technical data

Common values

Connector Design	Male cable connector
Connector locking system	Snap-in locking
Termination	solder
Wire gauge (mm)	0,75 mm ²
Wire gauge (AWG)	20
Max. Cable outlet	4 - 6 mm
Upper temperature	+85 °C
Lower temperature	-25 °C

Material

Material of contact	CuZn (brass)
Contact plating	Au (gold)
Material of contact body	PA (UL 94 V-0)
Material of housing	PA (UL 94 V-0)

Cable data

Contacts 3, male cable connector, green, cable outlet 4 - 6 mm

Electrical values

Rated voltage	250 V
Rated impulse voltage	2500 V
Pollution degree	2
Overvoltage category	II
Material group	II
Rated current (40°C)	7 A
Volume resistivity	≤ 3 mΩ
EMV compliance	not shielded
Degree of protection	IP 67
Mechanical operation	>500 mating cycles

