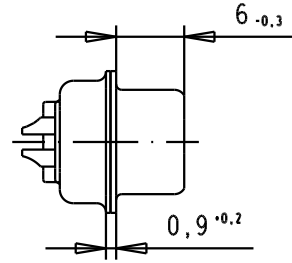
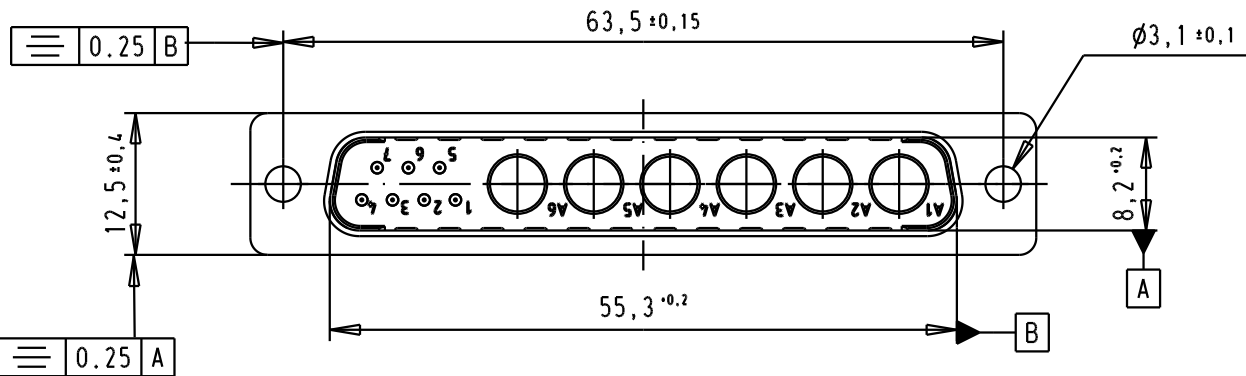
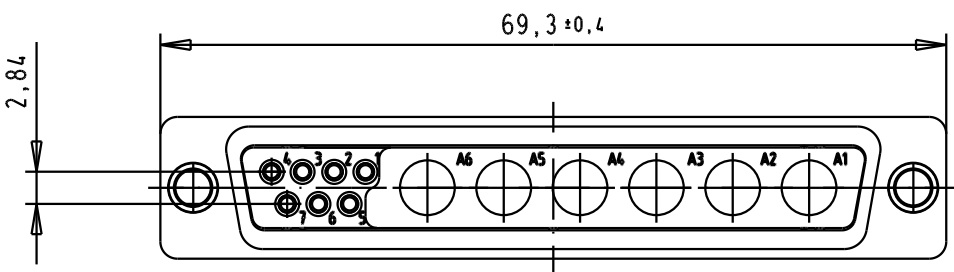
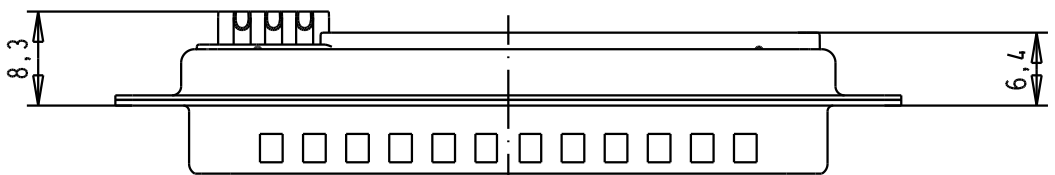


5 4 3 2 1



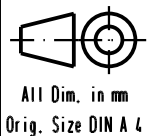
Solder buckets for AWG 20 Max



| | |
|----------------|-------------------|
| | |
| | |
| 09 69 411 7136 | PL3 |
| 09 69 411 5136 | S4 |
| Part number | Performance level |

| | | |
|-------|----------|------|
| | | |
| | | |
| | | |
| 33108 | 23/09/05 | JMDR |
| Mod. | Dat. | Name |

| | | |
|-------------------------------|----------|------|
| | Dat. | Name |
| Detail. | 23/09/05 | JMDR |
| Insp. | | |
| Stand. | | |
| HARTING EURL F-95972 Paris | | |



| | |
|--|--|
| D-sub, male, straight, 13W6 without power contact, solder buckets data contacts, tin plated shell with dimples and holes | |
| TB 09 69 411 x136 | |
| Sub. | |

| | |
|-------------------|-------|
| Maßstab/ Scale | 1,5:1 |
| Blatt/ Page | 1/1 |

Mouser Electronics

Authorized Distributor

Click to View Pricing, Inventory, Delivery & Lifecycle Information:

[HARTING:](#)

[09694115136](#) [09694117136](#)