

Tab Contacts

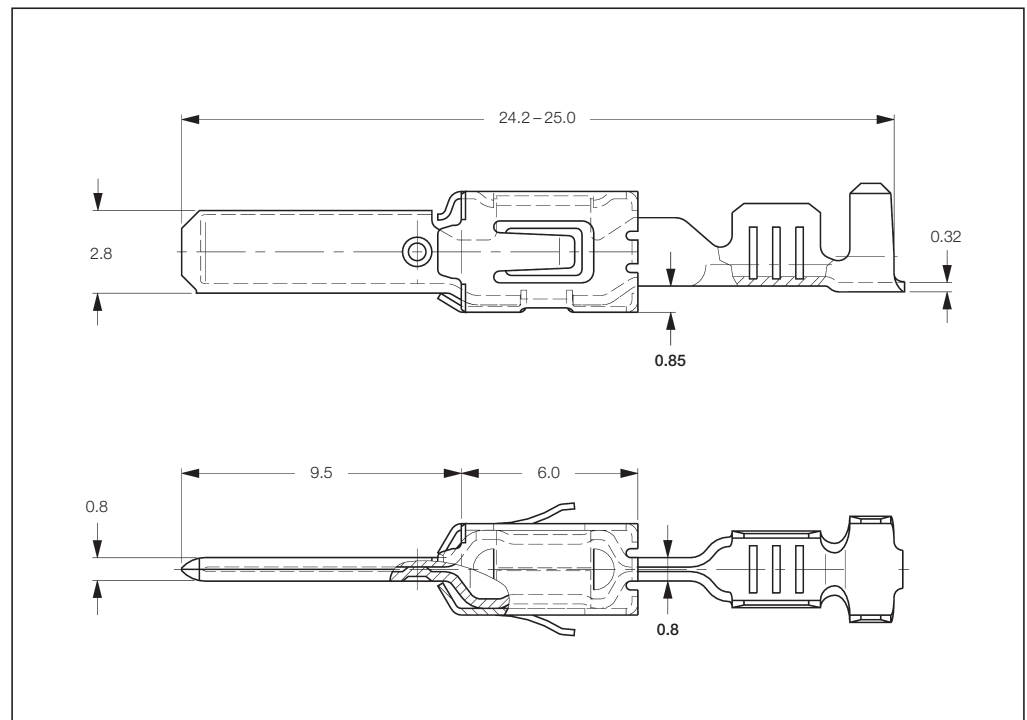
**Tabs 2.8 x 0.8 mm,  
with Modified  
Steel Top Spring,  
Mates with AMP MCP 2.8/  
2.8K Contact System**

**Extraction Tool:**  
Part No. **1-1579007-6**

**Product Group Drawing:**  
1355364

**Product Specification:**  
108-18063

**Application Specification:**  
114-18051



**Standard Tab Contacts with Modified Spring (STC)**

| Wire Size Range (mm <sup>2</sup> ) | Insulation Diameter (mm) |           | Material and Finish *       | Part Numbers |                  |             |                  | Applicator ♦ | Hand Tool |
|------------------------------------|--------------------------|-----------|-----------------------------|--------------|------------------|-------------|------------------|--------------|-----------|
|                                    | FLK                      | FLR       |                             | Strip Form   | Package Quantity | Loose-Piece | Package Quantity |              |           |
| 0.2-0.5                            | -                        | 1.15-1.60 | 1-xxx-3 / 2-xxx-1           | 964292       | 4,000            | 964291      | 500              | x-1528004-x  |           |
| 0.5-1.0                            | -                        | 1.4-2.1   | 1-xxx-3 / 2-xxx-1 / 2-xxx-2 | 964294       | 4,000            | 964293      | 500              | x-1528097-x  | 2063533-1 |
| 1.25-2.50                          | -                        | 2.2-3.0   | 1-xxx-3 / 2-xxx-1 / 2-xxx-2 | 964296       | 3,300            | 964295      | 500              | x-1528001-x  |           |

**Tab Contacts Single Wire Sealing System with Modified Spring (SWS)**

| Wire Size Range (mm <sup>2</sup> ) | Insulation Diameter (mm) |           | Material and Finish *       | Part Numbers |                  |             |                  | Applicator ♦ | Hand Tool |
|------------------------------------|--------------------------|-----------|-----------------------------|--------------|------------------|-------------|------------------|--------------|-----------|
|                                    | FLK                      | FLR       |                             | Strip Form   | Package Quantity | Loose-Piece | Package Quantity |              |           |
| 0.2-0.5                            | -                        | 1.15-1.60 | 1-xxx-3 / 2-xxx-1           | 964298       | 3,500            | 964297      | 500              | x-1528025-x  |           |
| 0.5-1.0                            | -                        | 1.4-2.1   | 1-xxx-3 / 2-xxx-1 / 4-xxx-1 | 964300       | 3,500            | 964299      | 500              | x-1528101-x  | 2063435-1 |
| 1.25-2.50                          | -                        | 2.2-3.0   | 1-xxx-3 / 2-xxx-1           | 964302       | 3,500            | 964301      | 500              | x-1528026-x  |           |

\*) **Material and Finish:**  
 1-xxx-3 = CuSn, selective gold plated  
 2-xxx-1 = CuFe, pre-tin plated  
 2-xxx-2 = CuFe, pre-silver plated  
 4-xxx-1 = CuNi, plain

♦) The pre- and suffix for the applicators depends on the applied termination equipment.