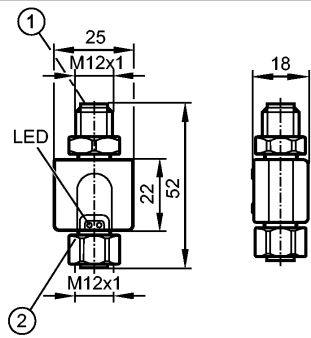


E30398

MEMORY PLUG

Accessories



1: connection for voltage supply and output signals
2: connection for sensor

Made in USA



Product characteristics

Memory plug
Parameter memory for IO-Link sensors
Storage capacity: 2 Kbytes

Electrical data

Electrical design	OUT1: DC PNP / OUT2: electrically connected
Operating voltage [V]	18...32 DC
Current consumption [mA]	< 35
Insulation resistance [MΩ]	> 100 (500 V DC)
Protection class	III
Reverse polarity protection	yes

Outputs

Output function	Function identical to connected sensor
Current rating [mA]	500; / peak (50 ms) 2 A
Voltage drop [V]	0.5
Short-circuit protection	depending on the sensor connected

Interfaces

IO-Link master	
Transfer type	COM1 (4.8 kBaud), COM2 (38.4 kBaud)
IO-Link revision	1.1
SDCI standard	IEC 61131-9 (Draft)
Number of ports	1
Port type	A
Pin 2	electrically connected
IO-Link Device	
Transfer type	COM2 (38.4 kBaud)
IO-Link revision	1.1
Profiles	no profile
SIO mode	no
Required master port type	A
Process data analogue	-
Process data binary	-
Min. process cycle time [ms]	2.5

Environment

E30398

MEMORY PLUG

Ambient temperature	[°C]	-25...60
Storage temperature	[°C]	-40...85
Protection		IP 65 / IP 67

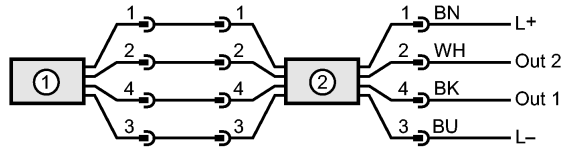
Tests / approvals		
EMC		EN 61000-6-2
Shock resistance	DIN IEC 68-2-27:	50 g (11 ms)
Vibration resistance	DIN IEC 68-2-6:	20 g (10...2000 Hz)
MTTF	[Years]	655.69

Mechanical data	
Housing materials	PA PACM 12 (TROGAMID); PET; sealing: FPM (Viton); nut: stainless steel 316L / 1.4404; connector: TPU
Switching cycles min.	
Weight	[kg] 0.116

Displays / operating elements	
Display	Operation 2 x LED green

Electrical connection	
Connection	2 x M12 connector

Wiring



1: sensor
2: Memory plug

Remarks	
Remarks	<p>Only for positive switching sensors The memory plug acts as master if it is connected with a sensor. The memory plug acts as device if it is used with the FDT service program ifm Container. cULus - Class 2 source required</p>

Pack quantity	[piece]	1
---------------	---------	---