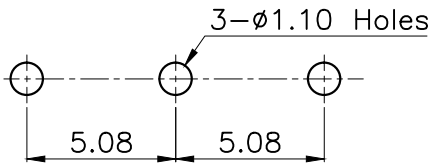
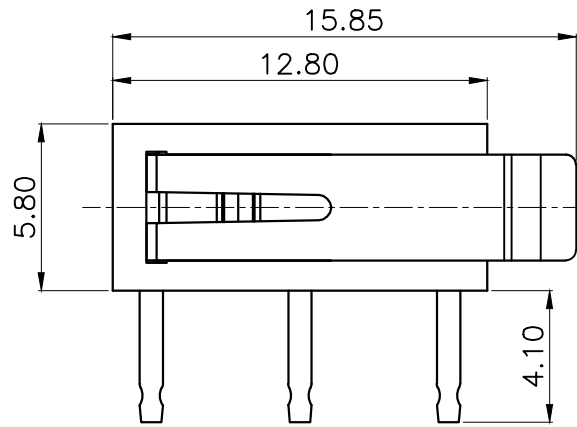
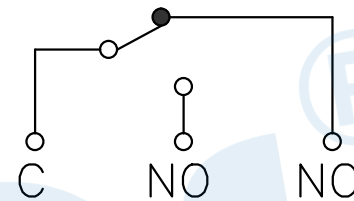


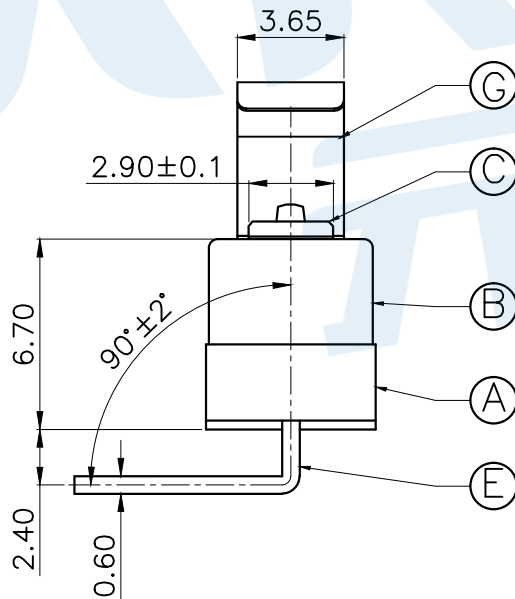
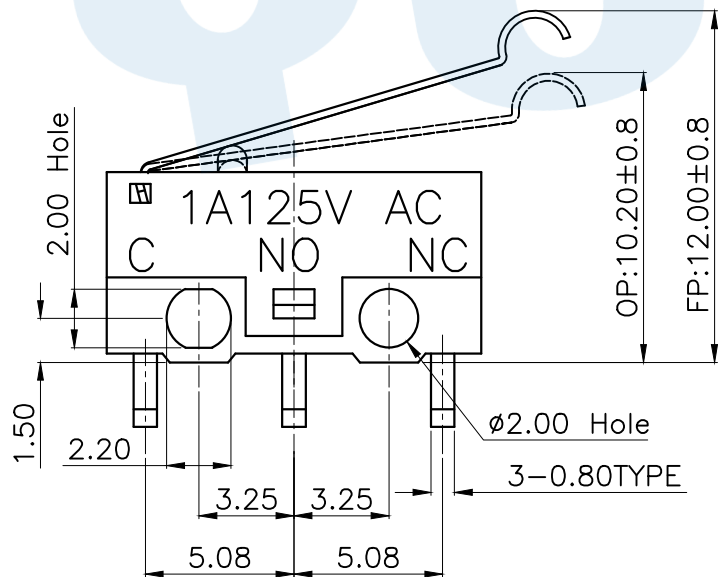
RoHS



PCB Layout (Pattern side)



Circuit Diagram



| | |
|-----------------|--|
| Operating force | |
| 30 ± 15gf | |

| Contact material | |
|------------------|------------|
| CODE | MATERIAL |
| T | Copper dot |
| Y | Silver dot |

| ① | Pressure handle | 1 | SUS | | |
|-----|-----------------|--------|-------------------|----------|---------|
| ② | Contact | 1 | Silver/copper dot | | |
| ③ | Terminal | 3 | Brass | Silver | |
| ④ | Contact reed | 1 | Brass | | |
| ⑤ | Handle | 1 | POM | White | |
| ⑥ | Cover | 1 | PBT | Black | |
| ⑦ | Base | 1 | PBT | White | |
| NO. | Name | Number | Qty | Material | Remarks |

YUANDI® Yuandi Electronics Co., Ltd

| | | | |
|----------|------|------|--------------|
| design | date | name | MICRO SWITCH |
| Review | date | name | TC-5610H-□ |
| Approved | date | name | |

Drawing number: Proportion 1:1 unit mm gage number A4

modify Review Approved Tolerance not specified

| | |
|-------|-------|
| angle | ±2' |
| 10~30 | ±0.30 |
| 5~10 | ±0.20 |
| ~ 5 | ±0.10 |