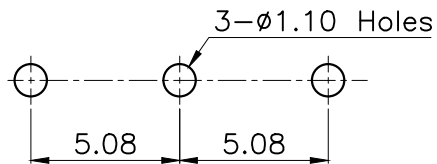
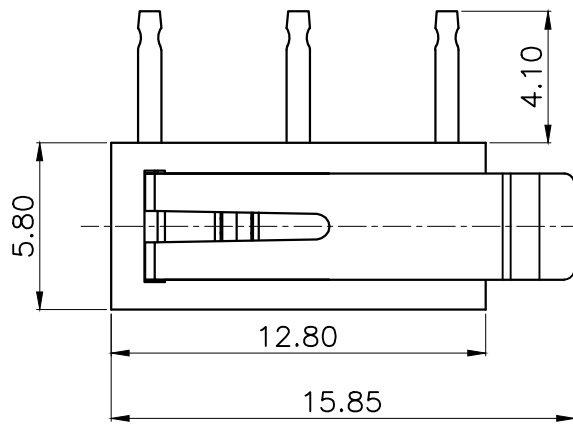
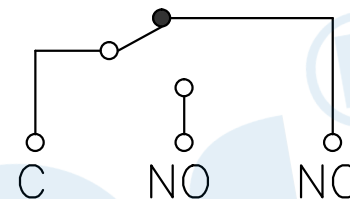


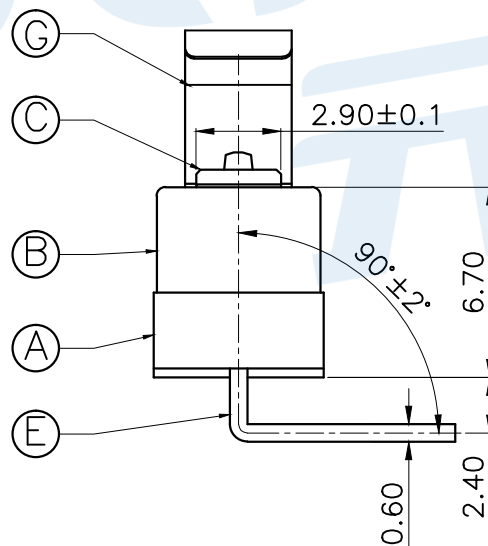
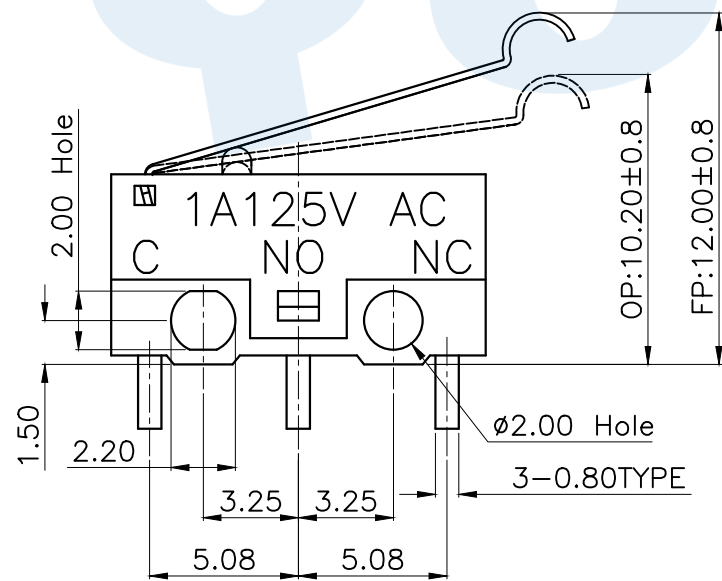
RoHS



PCB Layout(Pattern side)



Circuit Diagram



Operating force
30±15gf

Contact material	
CODE	MATERIAL
T	Copper dot
Y	Silver dot

NO.	Name	Number	Qty	Material	Remarks
①	Pressure handle	1	1	SUS	
②	Contact	1	1	Silver/copper dot	
③	Terminal	3	3	Brass	Silver
④	Contact reed	1	1	Brass	
⑤	Handle	1	1	POM	White
⑥	Cover	1	1	PBT	Black
⑦	Base	1	1	PBT	White

YUANDI® Yuandi Electronics Co, Ltd

design	date	name	MICRO SWITCH
Review	date	name	TC-5610H8-□
Approved	date	name	