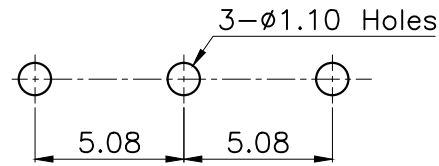
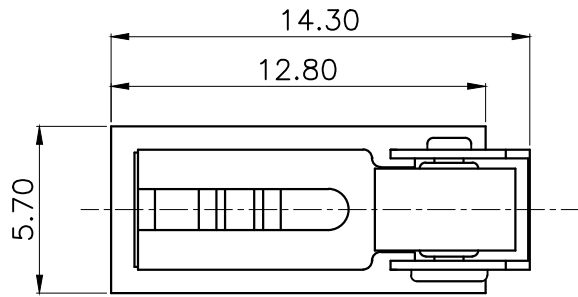
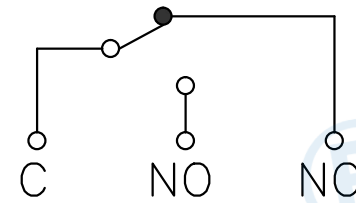


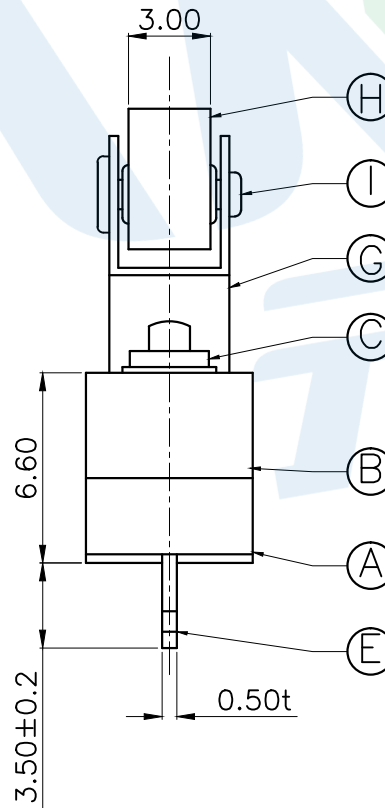
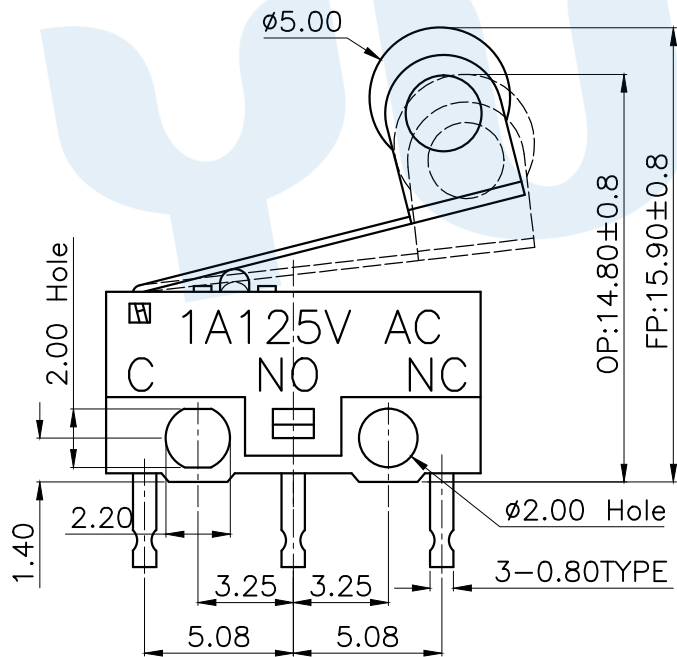
RoHS



PCB Layout(Pattern side)



Circuit Diagram



Operating force  
30±15gf

| Contact material |            |
|------------------|------------|
| CODE             | MATERIAL   |
| T                | Copper dot |
| Y                | Silver dot |

| ①   | Positioning axis | 1      | Brass             |         |         |
|-----|------------------|--------|-------------------|---------|---------|
| ⑧   | Wheel            | 1      | POM               |         |         |
| ③   | Pressure handle  | 1      | SUS               |         |         |
| ②   | Contact          | 1      | Silver/copper dot |         |         |
| ⑤   | Terminal         | 3      | Brass             | Silver  |         |
| ④   | Contact reed     | 1      | Brass             |         |         |
| ⑥   | Handle           | 1      | POM               | White   |         |
| ⑦   | Cover            | 1      | PBT               | Black   |         |
| ⑨   | Base             | 1      | PBT               | White   |         |
| NO. | Name             | Number | Qty               | Materil | Remarks |

YUANDI® Yuandi Electronics Co, Ltd

|          |      |      |              |
|----------|------|------|--------------|
| design   | date | name | MICRO SWITCH |
| Review   | date | name | TC-5610G-□   |
| Approved | date | name |              |

Drawing number: Proportion 1:1 unit mm gage number A4

modify Review Approved Tolerance not specified

|       |       |
|-------|-------|
| angle | ±2'   |
| 10~30 | ±0.30 |
| 5~10  | ±0.20 |
| ~ 5   | ±0.10 |