

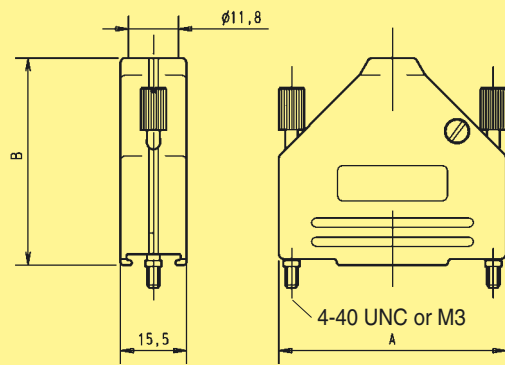


Full metal top and side entry hoods with knurled screws

Identification No. of contacts Part No. Drawing Dimensions in mm

Top entry hood

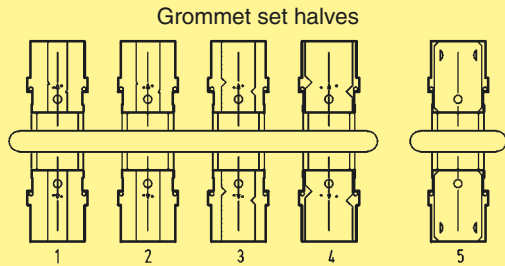
No. of contacts	Part No.
9	09 67 009 034 .
15	09 67 015 034 .
25	09 67 025 034 .
37	09 67 037 034 .



Poles	A	B
9	31.2	39.9
15	39.5	41.5
25	53.4	48.6
37	69.7	53.6

Please insert digit for screw option

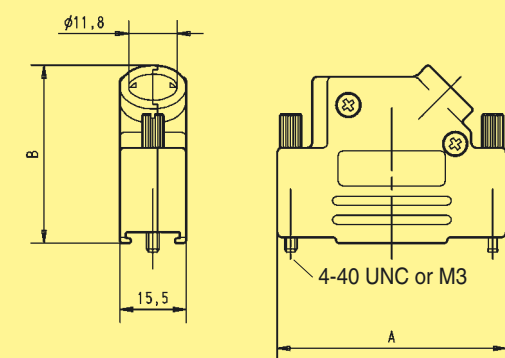
- Knurled screw, thread 4-40 UNC ▶ 3
- Knurled screw, thread M3 ▶ 8



Grommet dimensions	
Number	Diameter
1	4.0
2	5.0
3	7.0
4	10.0
5	10.2

Side entry hood

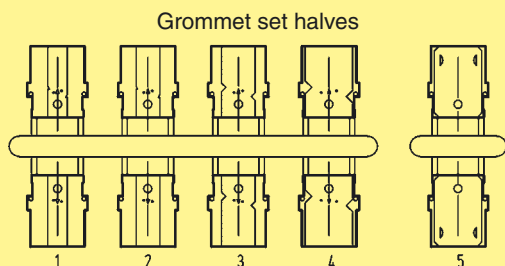
No. of contacts	Part No.
9	09 67 009 033 .
15	09 67 015 033 .
25	09 67 025 033 .
37	09 67 037 033 .



Poles	A	B
9	31.0	38.0
15	40.5	41.1
25	53.7	41.8
37	69.8	41.8

Please insert digit for screw option

- Knurled screw, thread 4-40 UNC ▶ 3
- Knurled screw, thread M3 ▶ 6



Grommet dimensions	
Number	Diameter
1	4.0
2	5.0
3	7.0
4	10.0
5	10.2