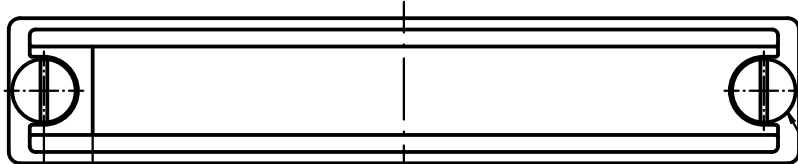
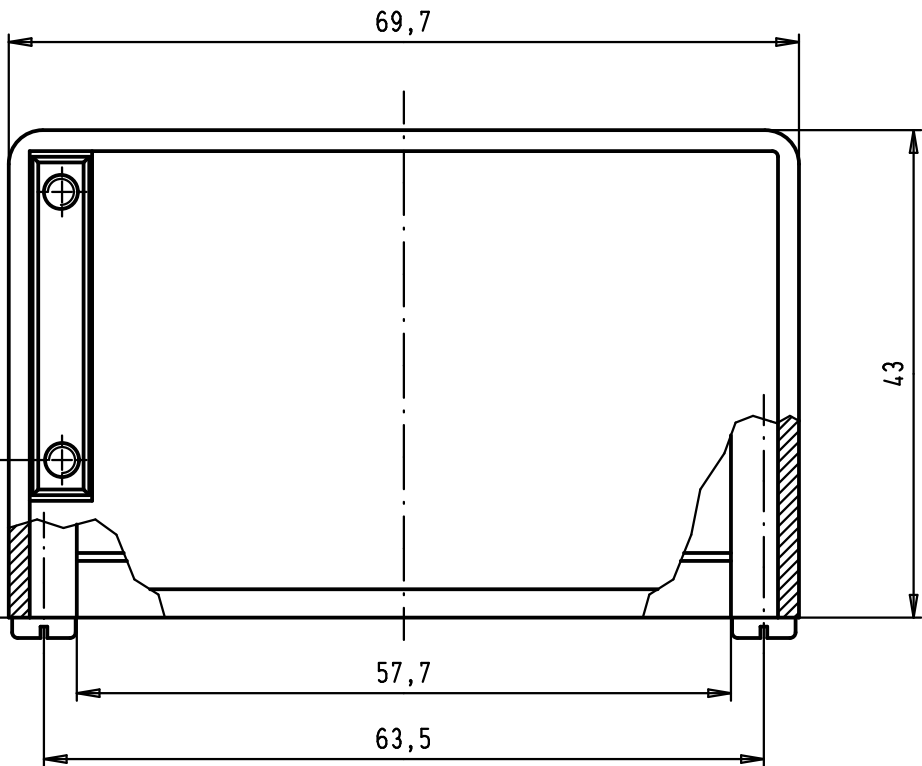


5 4 3 2 1



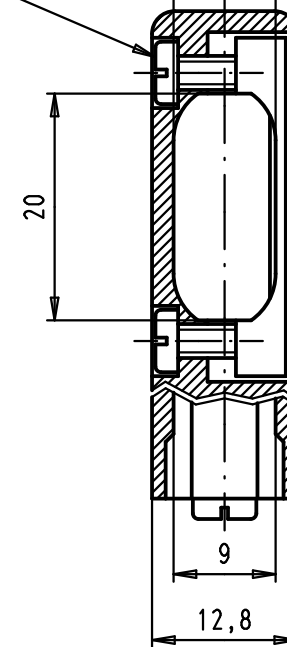
Slotted pan head tapping screws
DIN 7971-ST 2,9x6,5-F
screwing torque=35Ncm +/-5Ncm

4,3



Slotted pan head tapping screws
DIN 7971-ST 2,2 x 9,5-F
Maximum screwing torque= 0,25 mN

Min. 5,75
Max. 9



D

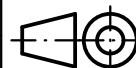
C

B

A

09 67 037 0513	Thermoplastic metallized
09 67 037 0511	Thermoplastic grey RAL 7032
Part number	Material

				Dat.	Name
			Detail.	28/03/02	CV
			Insp.	25-MAY-11	JMDV
EC03223	25-MAY-11	SD	Stand.		
34886	26/02/08	PK			
29760	28/03/02	CV			
Mod.	Dat.	Name	HARTING EURL F-95972 Paris		



All Dim. in mm
Orig. Size DIN A 4

D-Sub, hood 37 poles
for spring or slide
locking, side cable entry

Maßstab/
Scale

1,5:1



TB 09 67 037 051X

Blatt/ Page

1 / 1

Sub.

Mouser Electronics

Authorized Distributor

Click to View Pricing, Inventory, Delivery & Lifecycle Information:

[HARTING:](#)

[09670370513](#) [09670370511](#)