

5

4

3

2

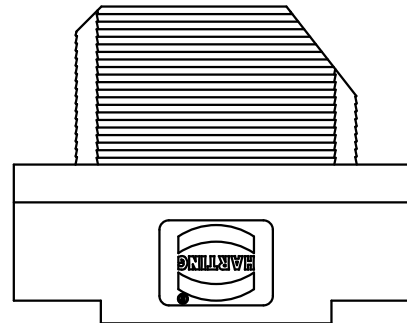
1

D

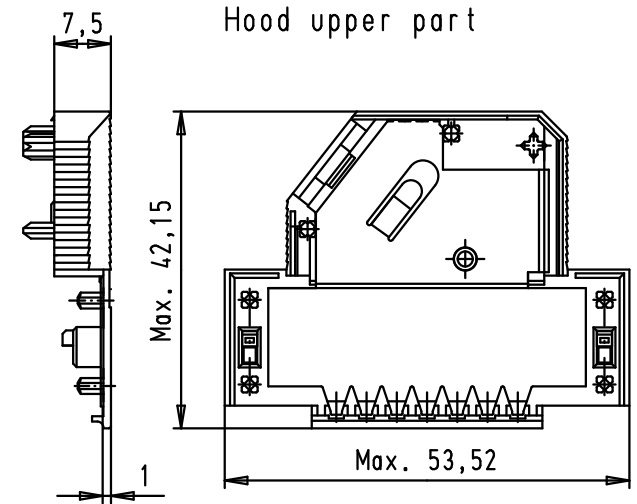
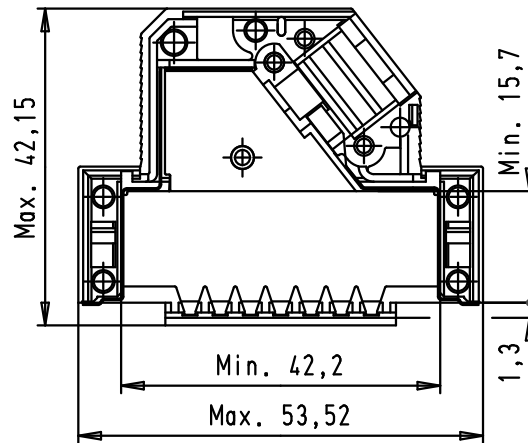
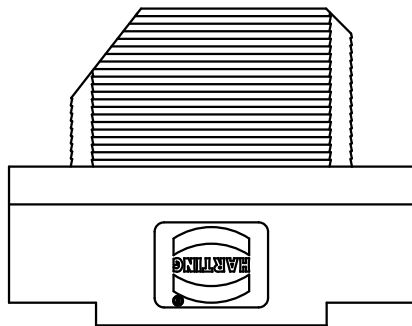
C

B

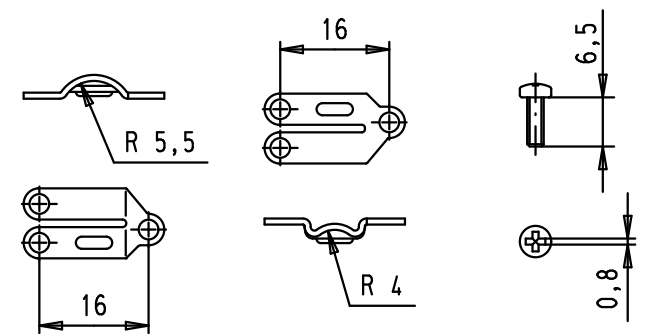
A



Hood lower part





Hood upper part



Strain relief 1

Strain relief 2

Flathead screws

			Dot.	Name	 All Dim. in mm Orig. Size DIN A 4	D-Sub Hoods 25 Poles Shielded	Maßstab/ Scale 1:1
			Detail.	27/02/03			
			Insp.				
			Stand.				
EC01696	20/04/10	SC	HARTING EURL F-95972 Paris			TB 09 67 025 0573	Blatt/ Page 1 / 1
33806	26/09/06	PK					
31392	27/02/03	SH					
Mod.	Dot.	Name				Sub.	

Mouser Electronics

Authorized Distributor

Click to View Pricing, Inventory, Delivery & Lifecycle Information:

[HARTING:](#)

[09670250573](#)