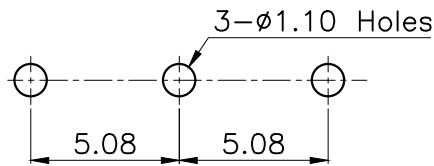
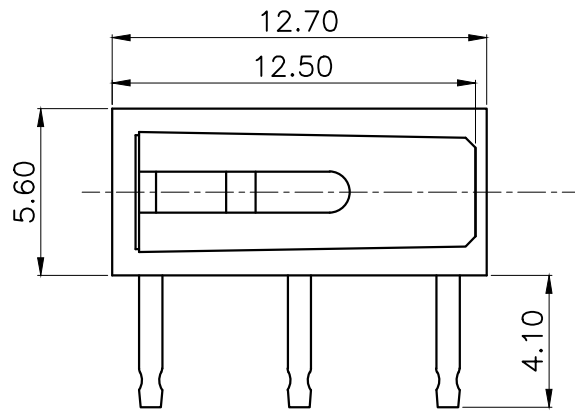
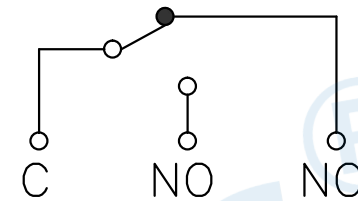


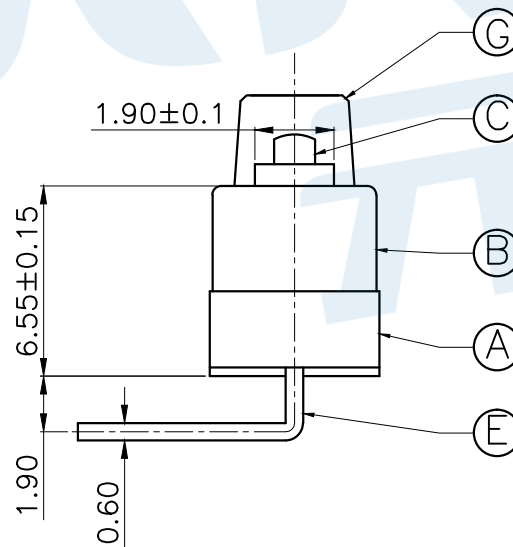
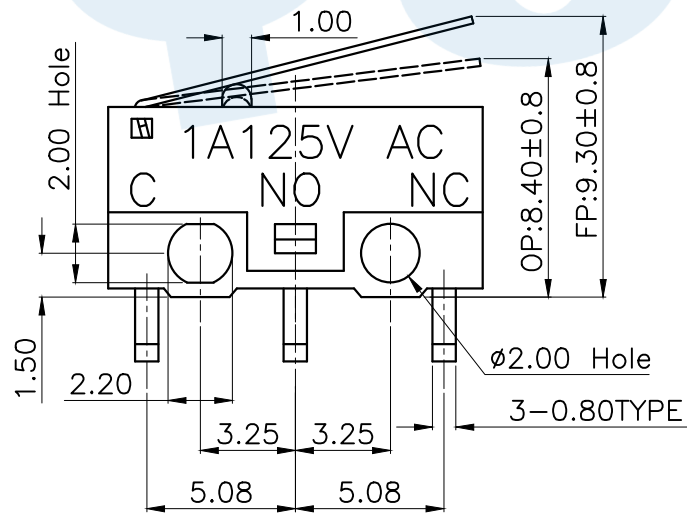
RoHS



PCB Layout(Pattern side)



Circuit Diagram



Operating force	
30±15gf	

Contact material	
CODE	MATERIAL
T	Copper dot
Y	Silver dot

NO.	Name	Number	Qty	Material	Remarks
①	Pressure handle	1	1	SUS	
②	Contact	1	1	Silver/copper dot	
③	Terminal	3	3	Brass	Silver
④	Contact reed	1	1	Brass	
⑤	Handle	1	1	POM	White
⑥	Cover	1	1	PBT	Black
⑦	Base	1	1	PBT	White

YUANDI® Yuandi Electronics Co., Ltd

design	date	name	MICRO SWITCH
Review	date	name	TC-5610D1-□
Approved	date	name	

Drawing number: Proportion 1:1 unit mm gage number A4

modify Review Approved Tolerance not specified

angle	±2'
10~30	±0.30
5~10	±0.20
~ 5	±0.10