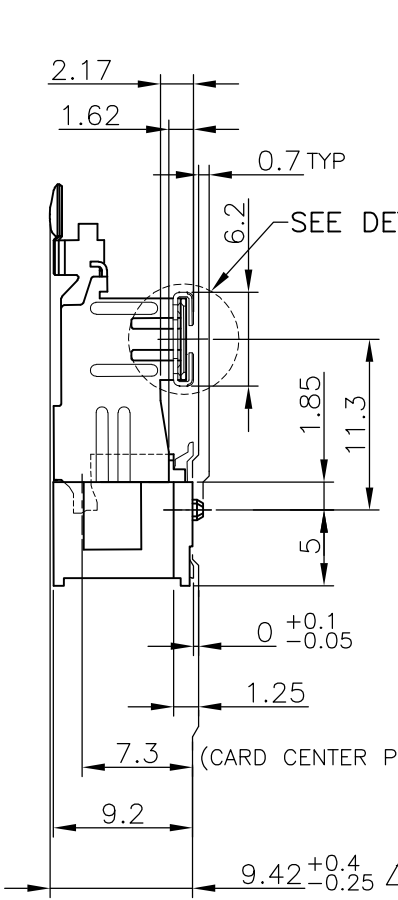
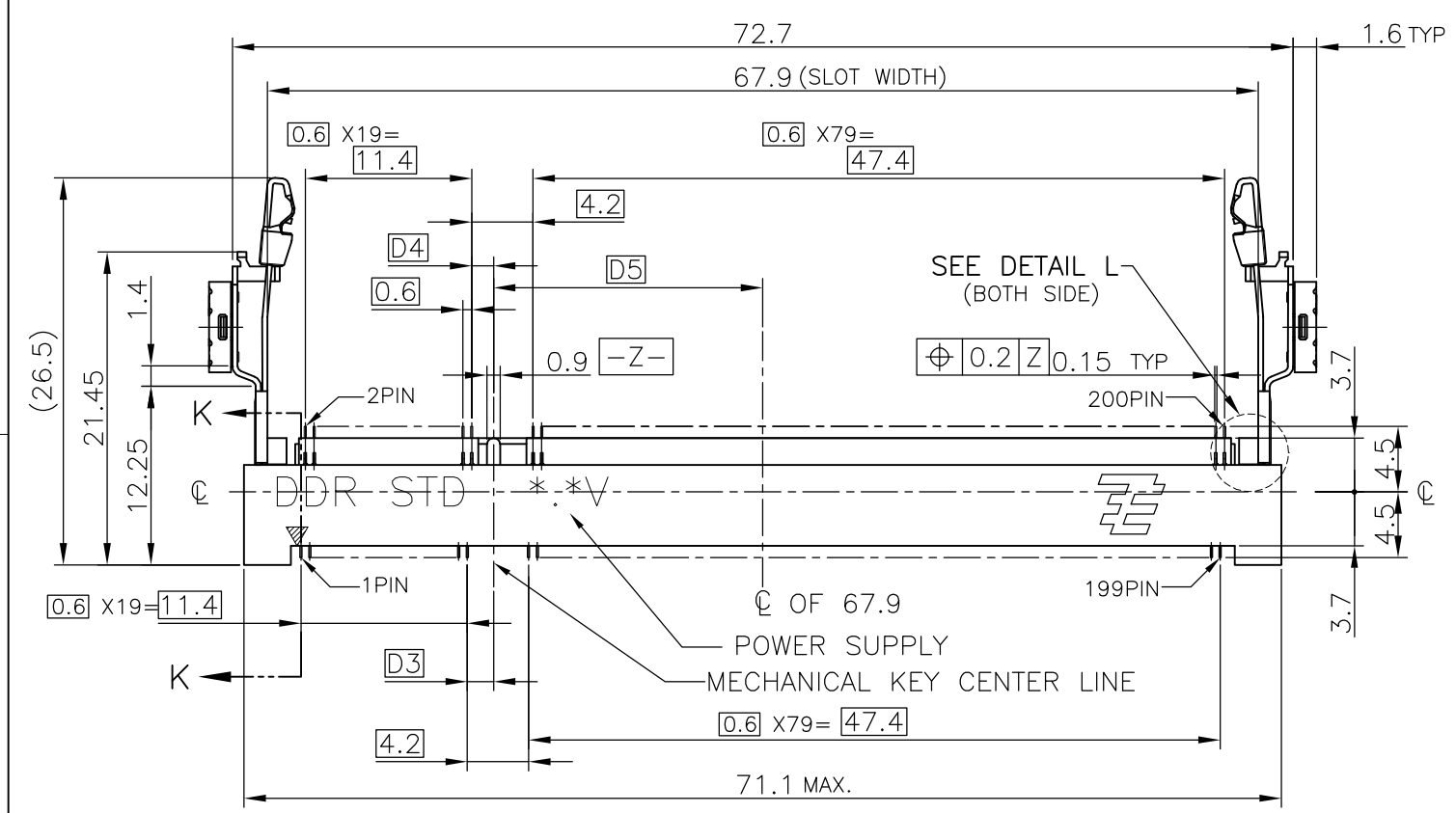
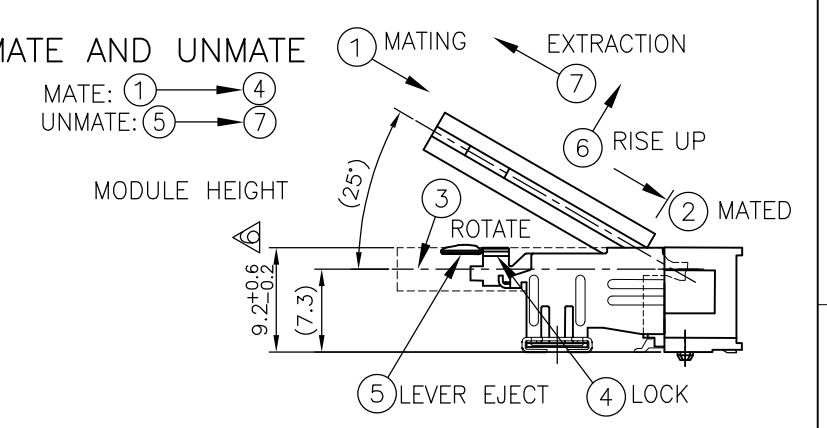
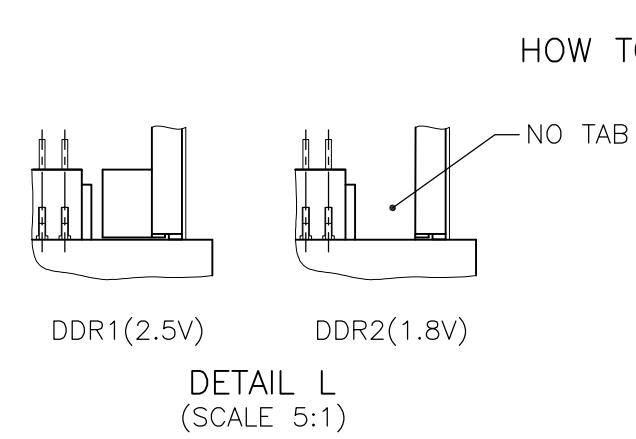
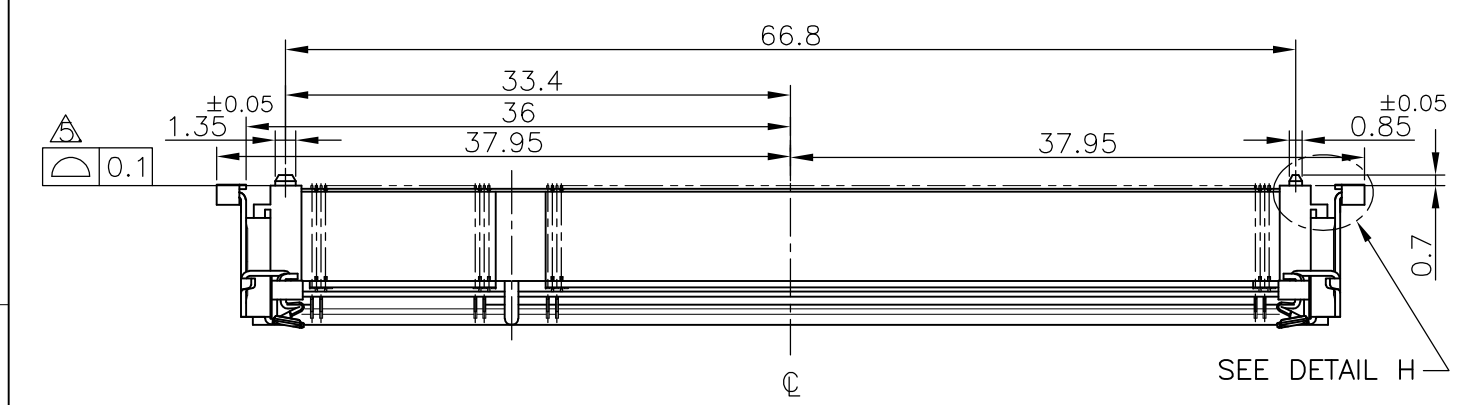
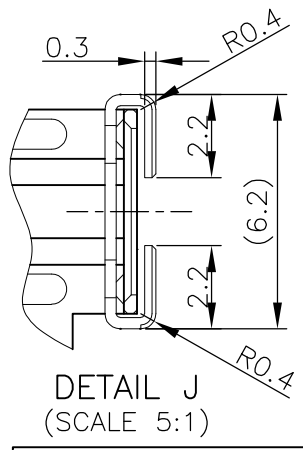
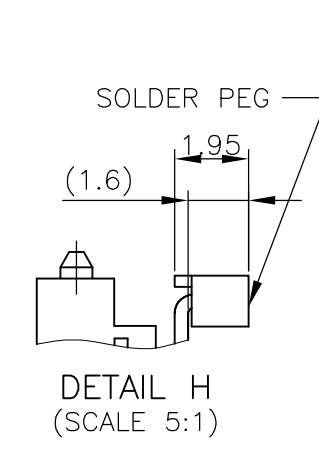
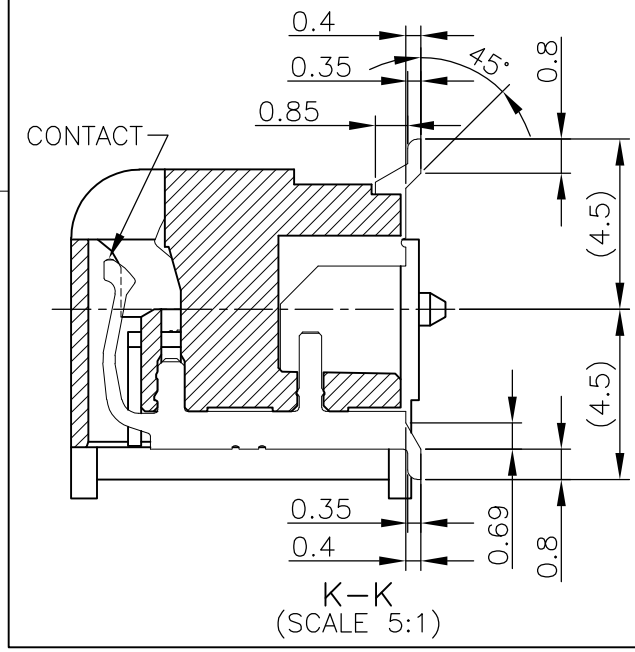


THIS DRAWING IS UNPUBLISHED. RELEASED FOR PUBLICATION OCT. 2002.
 © COPYRIGHT 2002 By - ALL RIGHTS RESERVED.

LOC		DIST		REVISIONS			
ES	/	P	LTR	DESCRIPTION	DATE	DWN	APVD
			E3	REVISED PER ECO-11-005033	26MAR11	RK	HMR



- (APPLIED TO SHEET 1-2)
- MATERIAL ; HOUSING: HIGH TEMPERATURE THERMO PLASTIC UL94V-0
 CONTACT: COPPER ARROY
 LOCK LEVER: STAINLESS STEEL
 SOLDER PEG: COPPER ARROY
 - FINISH ; CONTACT AREA: GOLD FLASH ON 0.0013MIN ALL OVER NICKEL.
 SOLDERING AREA: GOLD FLASH PLT.
 SOLDER PEG: TIN PLATING.
- MECHANICAL KEY POSITION OF CONNECTOR SEE TABLE.
 - TOLERANCES NON-CUMULATIVE.
 - COPLANARITY : 0.1 MAX.
 - THE FLOATING VALUE BY SOLDERING IS NOT INCLUDED.
 - NOT MATING CONDITION.
 - IF THE MODULE DOESN'T INSERT AND LOCK IN THE LATCH SMOOTHLY, OPEN WIDE BOTH LATCHES BY MANUAL. AND THE MODULE MUST BE INSERTED AND LOCKED IN THE LATCH.
 - THE SHAPE OF HOUSING AT KEY AREA IS FREE BASICALLY TO IMPROVE HOUSING WARPAGE



GENERAL TOLERANCE
 10 ≥ : ±0.2
 30 ≥ > 10: ±0.25
 100 ≥ > 30: ±0.3
 ANGLES: ±3'

AVAILABLE	1.8V (DDR2)	17.55	2.4	2.7	200	1612618-4
AVAILABLE	2.5V (DDR1)	18.45	1.5	1.8	200	1612618-1
TOOLING STATUS	POWER SUPPLY (TYPE)	D5	D4	D3	POS	PART NO.

THIS DRAWING IS A CONTROLLED DOCUMENT.

DIMENSIONS: MM	TOLERANCES UNLESS OTHERWISE SPECIFIED:	DWN J.TANIGAWA 210CT02	TE Connectivity NAME DDR1 & DDR2 SODIMM SOCKET 0.6mm PITCH 200POS 9.2mm HEIGHT STANDARD TYPE			
	0 PLC ± 1 PLC ± 2 PLC ± 3 PLC ± 4 PLC ± ANGLES ± FINISH ±	CHK H.KODAMA 210CT02				
		APVD I.ENOMOTO 210CT02				
		PRODUCT SPEC 108-5701				
MATERIAL	WEIGHT 8.3g	APPLICATION SPEC	SIZE A3	CAGE CODE 00779	DRAWING NO C-1612618	RESTRICTED TO

CUSTOMER DRAWING SCALE 2:1 SHEET 1 OF 4 REV E3

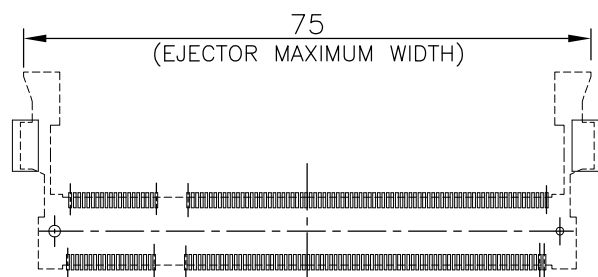
THIS DRAWING IS UNPUBLISHED.

RELEASED FOR PUBLICATION OCT , 2002.

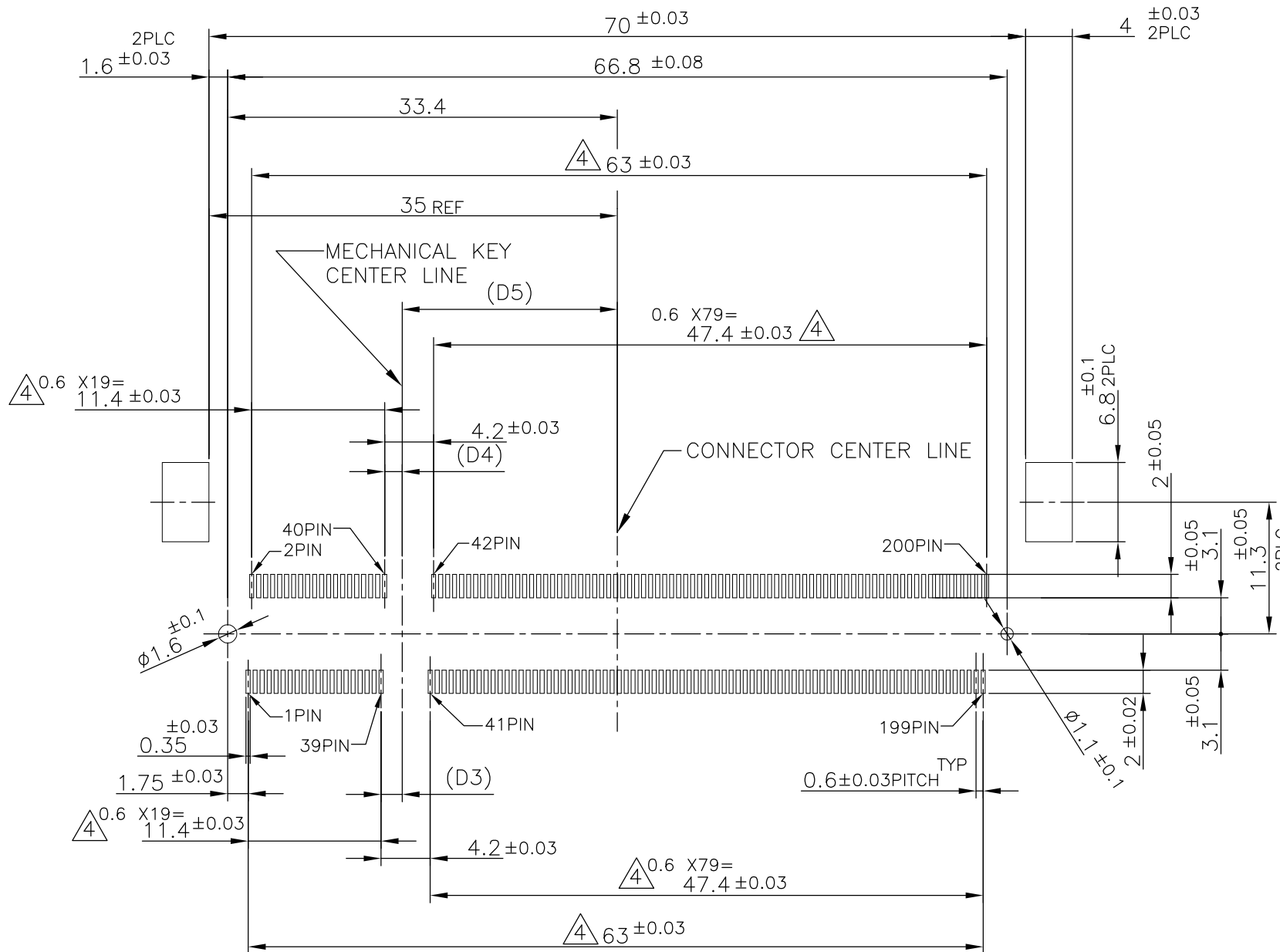
© COPYRIGHT 2002 By -

ALL RIGHTS RESERVED.

LOC	DIST	REVISIONS			
P	LTR	DESCRIPTION	DATE	DWN	APVD
ES		SEE SHEET 1	-	-	-



REAL SIZE (SCALE 1:1)

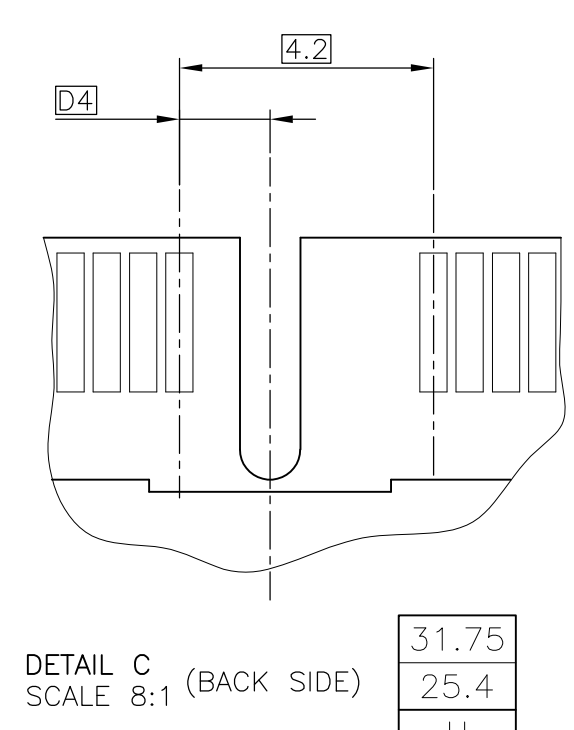
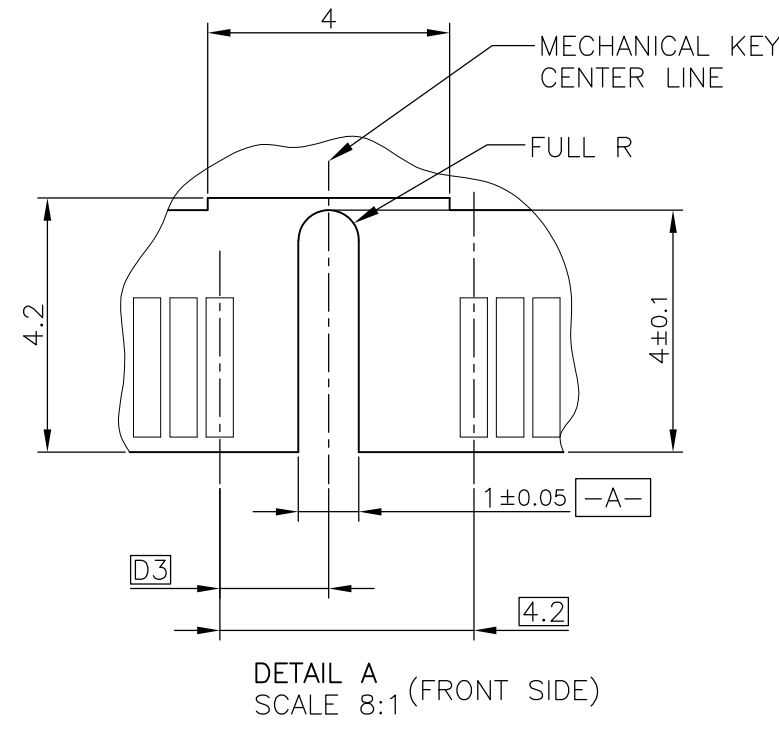
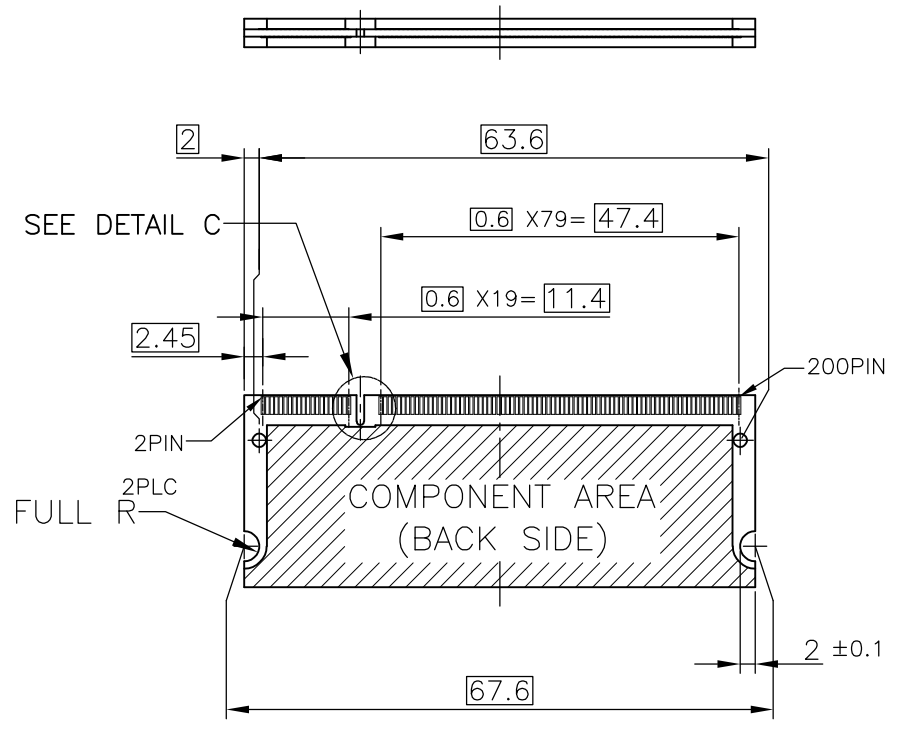
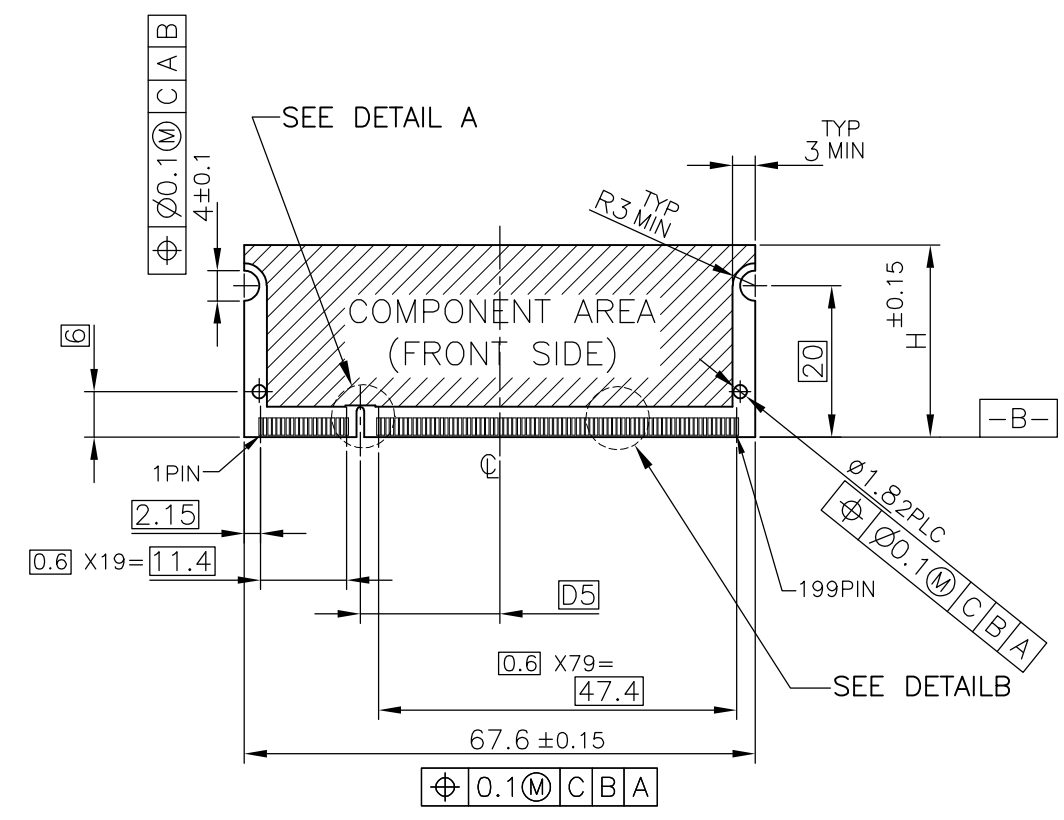


REFERENCE P.C. BOARD PATTERN LAYOUT FOR DUAL USE (CONNECTOR MOUNTING SIDE)

THIS DRAWING IS A CONTROLLED DOCUMENT.		DWN	STE TE Connectivity		
DIMENSIONS: MM		CHK			
TOLERANCES UNLESS OTHERWISE SPECIFIED:		APVD	NAME		
0 PLC ±		PRODUCT SPEC	DDR1 & DDR2 SODIMM SOCKET		
1 PLC ±		APPLICATION SPEC	0.6mm PITCH 200POS		
2 PLC ±		WEIGHT	SIZE	CAGE CODE	DRAWING NO
3 PLC ±		CUSTOMER DRAWING	A3	00779	C-1612618
4 PLC ±			SCALE	SHEET	REV
ANGLES ±		RESTRICTED TO	NTS	2 OF 4	E3
FINISH					

THIS DRAWING IS UNPUBLISHED. RELEASED FOR PUBLICATION OCT ,2002.
 © COPYRIGHT 2002 By - ALL RIGHTS RESERVED.

LOC	DIST	REVISIONS					
ES		P	LTR	DESCRIPTION	DATE	DWN	APVD
		-		SEE SHEET 1	-	-	-



- (APPLIED TO SHEET 3)
- 1 TOLERANCES ON ALL DIMENSIONS ±0.15 UNLESS OTHERWISE SPECIFIED.
 - 2 P.C. BOARD THICKNESS APPLIES ACROSS TABS AND INCLUDES PLATING AND/OR METALIZATION.
 - 3 FINISH OF PAD : GOLD PLATING 0.00076 MIN. OVER Ni PLATING 0.002MIN.
- △ NO BURR.
 △ CHAMFER 0.25 MAX x 45° IF EXIST.

推奨基板仕様
 RECOMMENDED MATING P.C.B CONFIGURATION

THIS DRAWING IS A CONTROLLED DOCUMENT.		DWN	TE Connectivity DDR1 & DDR2 SODIMM SOCKET 0.6mm PITCH 200POS 9.2mm HEIGHT STANDARD TYPE		
DIMENSIONS: MM		CHK			
TOLERANCES UNLESS OTHERWISE SPECIFIED: 0 PLC ± 1 PLC ± 2 PLC ± 3 PLC ± 4 PLC ± ANGLES ± FINISH ±		APVD			
MATERIAL		PRODUCT SPEC			
		APPLICATION SPEC	NAME	SIZE	CAGE CODE
		WEIGHT	A300779		DRAWING NO
		CUSTOMER DRAWING	C-1612618		RESTRICTED TO
		SCALE	NTS	SHEET	3 OF 4
				REV	E3

31.75	1.8V	17.55	2.4	2.7
25.4	2.5V	18.45	1.5	1.8
H	POWER SUPPLY	D5	D4	D3

4

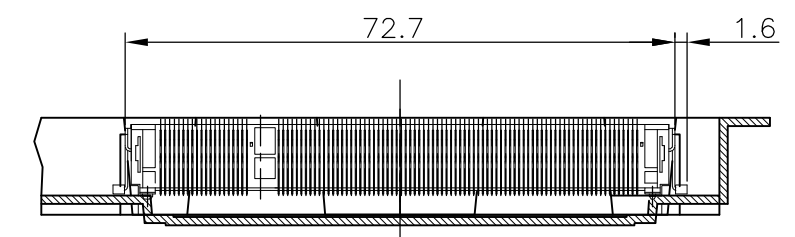
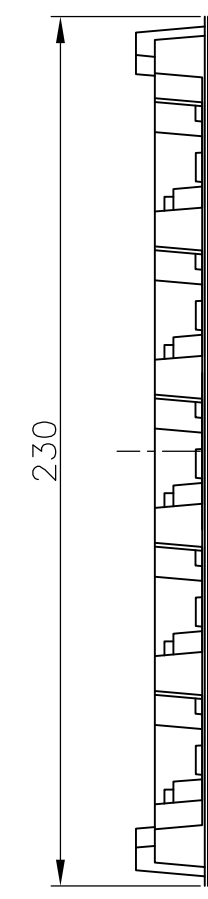
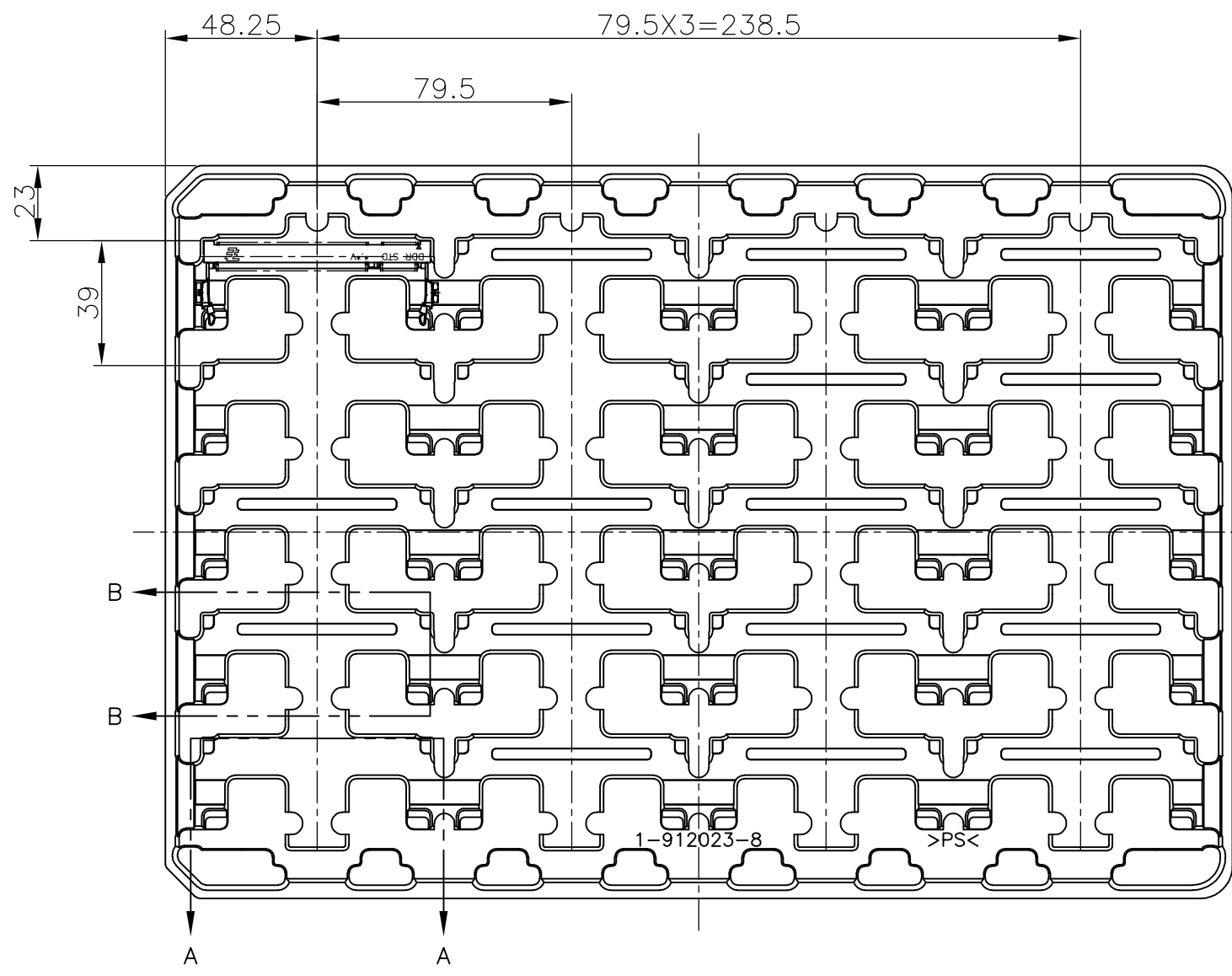
3

2

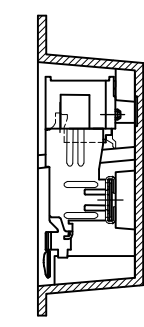
1

THIS DRAWING IS UNPUBLISHED. RELEASED FOR PUBLICATION OCT , 2002.
 © COPYRIGHT 2002 By - ALL RIGHTS RESERVED.

LOC	DIST	REVISIONS			
P	LTR	DESCRIPTION	DATE	DWN	APVD
ES		SEE SHEET 1	-	-	-

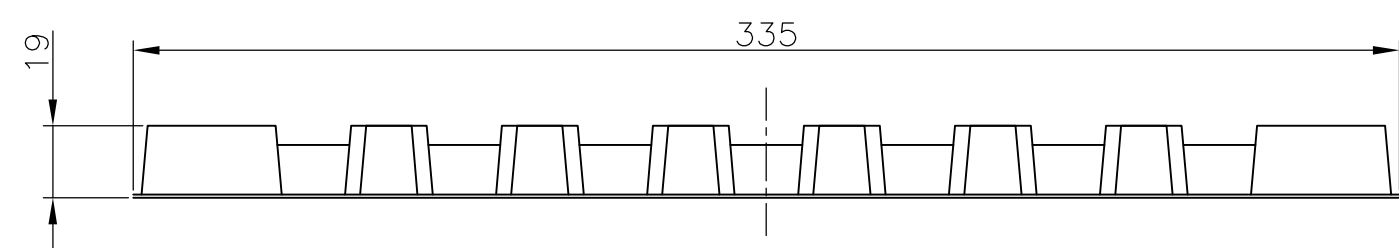


A-A
SCALE 1:1
(180DEG. ROTATE)



B-B
SCALE 1:1

1. THE DIRECTION OF EACH CONNECTOR ON A TRAY IS REFERRED TO THIS DRAWING.
2. GENERAL TOLERANCE: ±0.5



20EA/TRAY	1612618-4
20EA/TRAY	1612618-1
QTY	P/N

THIS DRAWING IS A CONTROLLED DOCUMENT.		DWN	TE Connectivity NAME DDR1 & DDR2 SODIMM SOCKET 0.6mm PITCH 200POS 9.2mm HEIGHT STANDARD TYPE				
DIMENSIONS: MM		CHK					
TOLERANCES UNLESS OTHERWISE SPECIFIED:		APVD					
0 PLC ± 0.5 1 PLC ± 0.5 2 PLC ± 0.5 3 PLC ± 0.5 4 PLC ± 0.5 ANGLES ± 3°		PRODUCT SPEC					
MATERIAL		FINISH	APPLICATION SPEC	SIZE	CAGE CODE	DRAWING NO	RESTRICTED TO
CUSTOMER DRAWING			WEIGHT	A3	00779	C-1612618	
			SCALE	1:2	SHEET	4 OF 4	REV E3