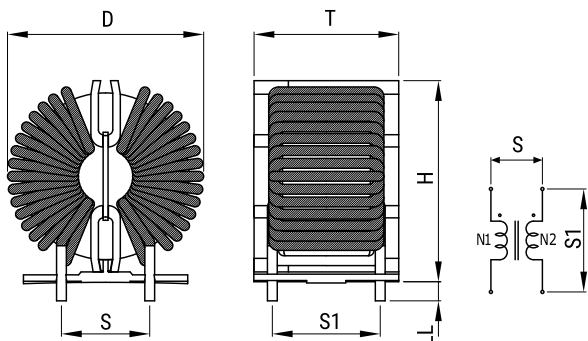


**KEMET Part Number: SCR-050-0R9A070J**  
(UAL50R9A070J00)

KEMET, SCR, AC Line Filters, Common Mode, 7000 uH



#### Dimensions

<b>D</b>	29mm MAX
<b>T</b>	23mm MAX
<b>H</b>	29mm MAX
<b>LL</b>	4mm +/-1mm
<b>S</b>	18mm NOM

#### Packaging Specifications

<b>Packaging:</b>	Tray
<b>Packaging Quantity:</b>	240
<b>Weight:</b>	27 g

#### General Information

<b>Series:</b>	SCR
<b>Style:</b>	Through-Hole
<b>RoHS:</b>	Yes
<b>Notes:</b>	Lead Spacing (S/S1) Are For Reference Only.
<b>Miscellaneous:</b>	Temperature Rise Maximum: 70 K

#### Specifications

<b>Voltage AC:</b>	250 VAC
<b>Inductance:</b>	7 mH
<b>Current:</b>	5 A
<b>Temperature Range:</b>	-25/+120°C
<b>DC Resistance:</b>	47 mOhms