

5

4

3

2

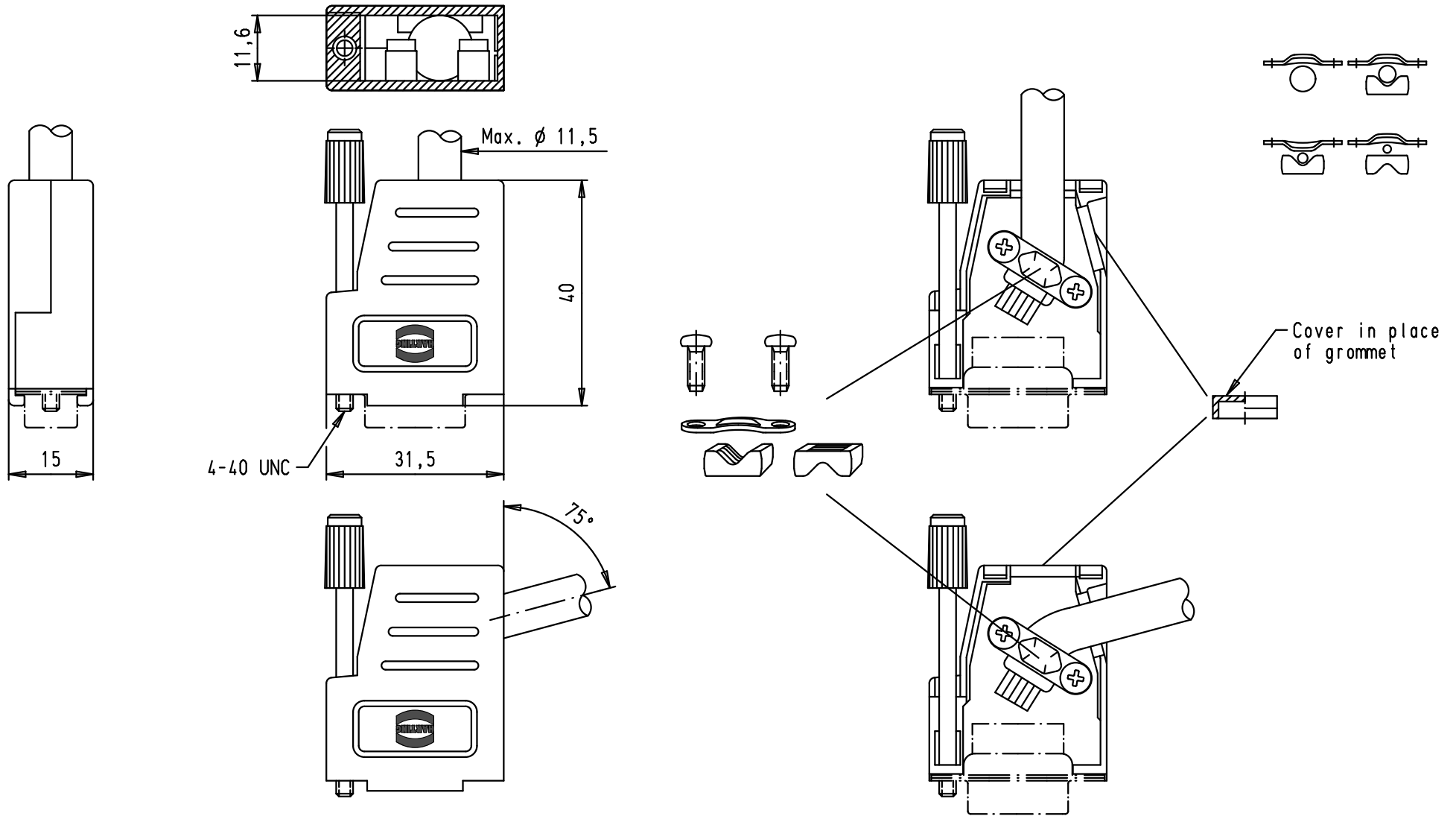
1



D

C

B

A



				Dot.	Name	 All Dim. in mm Orig. Size DIN A 4	D-Sub, top and side entry hood with knurled screws, 9 poles, thermoplastic black	Maßstab/ Scale 1:1	
			Detail.	28/03/02	CV				
			Insp.						
			Stand.						
	34784	12/02/08	PK	HARTING EURL F-95972 Paris				TB 09 67 009 0434	Blatt/ Page 1 / 1
	29760	28/03/02	CV						
	Mod.	Dot.	Name				Sub.		

Mouser Electronics

Authorized Distributor

Click to View Pricing, Inventory, Delivery & Lifecycle Information:

[HARTING:](#)

[09670090434](#)