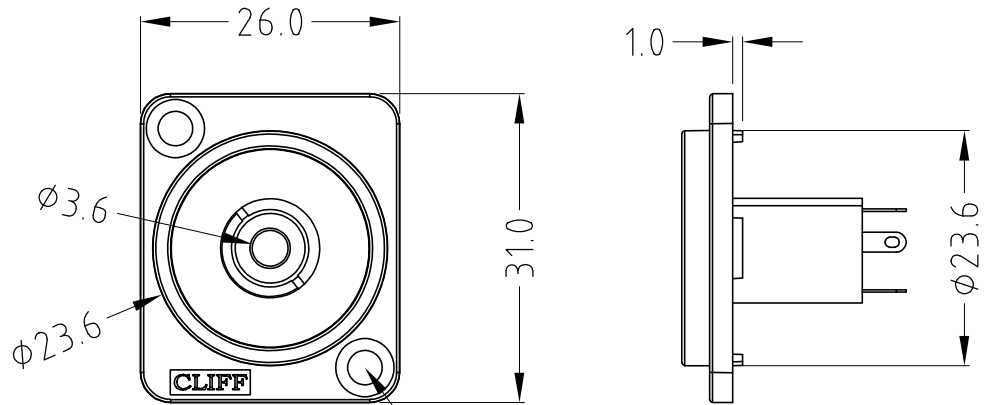
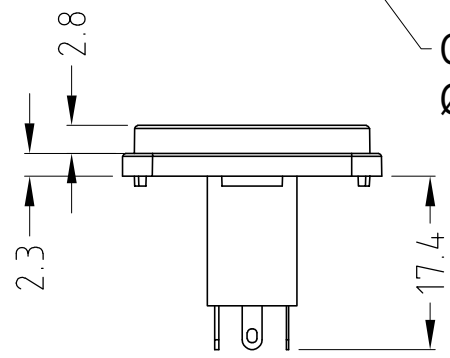


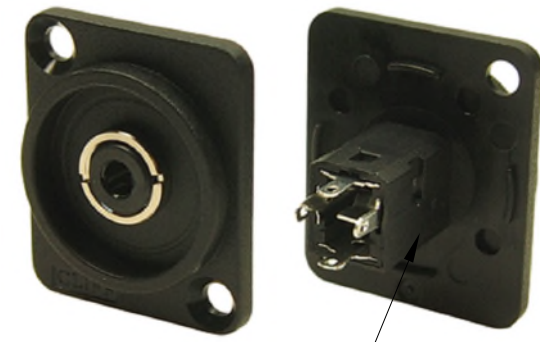
ISS.	AMEND	DATE
1	ISSUED	23/11/18
2	ADD SCHEMATICS	22/03/22



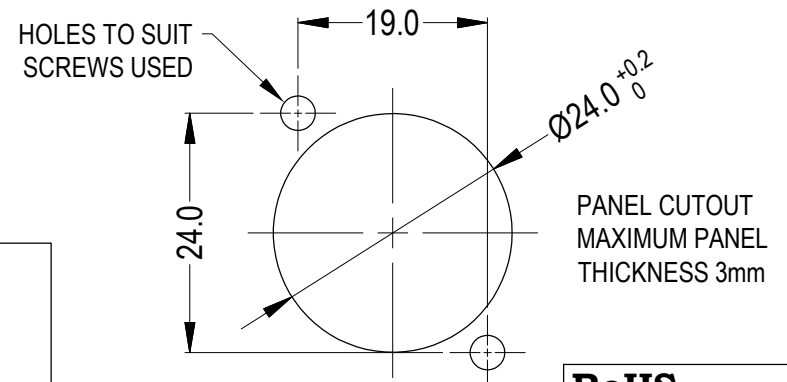
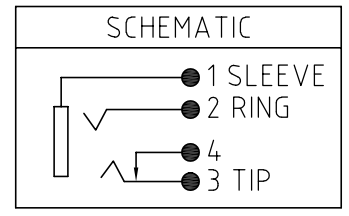
**CP30300SA4**  
Ø3.50 WITH COUNTERSINK



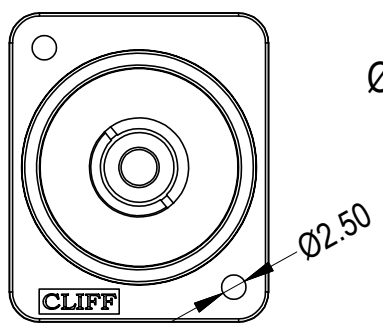
PART NO.	HOLE DETAILS
CP303100	HOLE Ø3.50xCSK 82°x Ø5.85
CP303100X	PLAIN HOLE Ø2.50



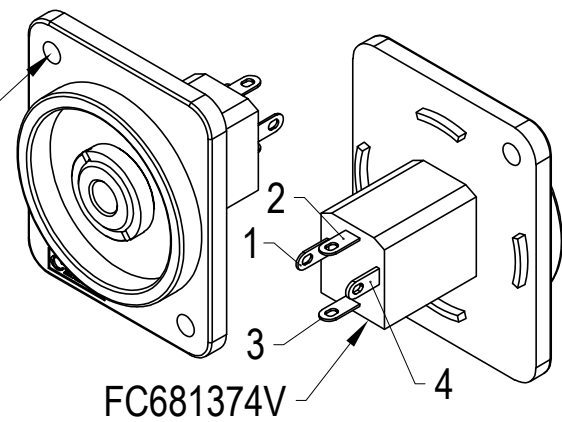
**FC681374V**  
SUPPLIED ASSEMBLED



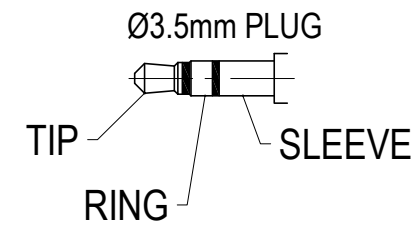
CP303100X - Ø2.50 PLAIN HOLE VERSION



**CP30300SA4X**  
Ø2.50 PLAIN HOLE



**FC681374V**



**RoHS**  
COMPLIANT

**TOLERANCE**  
NO DEC. PLACE ±  
1 DEC. PLACE ±  
2 DEC. PLACE ±  
HOLE Ø ±  
ANGLES ±  
UNLESS OTHERWISE STATED

**Cliff Electronic Components Ltd.**  
76 Holmehorpe Avenue, Holmehorpe Industrial Estate,  
Redhill, Surrey, RH1 2PF, England, UK  
Tel: 01737-771375 Fax: 01737-766012 Website: www.cliffuk.co.uk

DIMENSIONS IN MILLIMETERS UNLESS OTHERWISE STATED. WORK TO DIMENSIONS. REMOVE ALL BURRS. IF IN DOUBT ASK.

3rd ANGLE PROJECTION:

DO NOT SCALE

MATERIAL: COMPOSITE

TITLE: XRP3 FC681374V (CSK + PLAIN HOLE)

FINISH: CLEAN - BLACK

DRWG. No. **CP303100**

THE CONTENTS OF THIS DOCUMENT MUST NOT BE COPIED OR DISCLOSED TO A 3rd PARTY WITHOUT WRITTEN PERMISSION OF CLIFF UK. © 2018

DRAWN: T.J.O.

APPROVED: D.P.J.

FORM: A4DRWGH