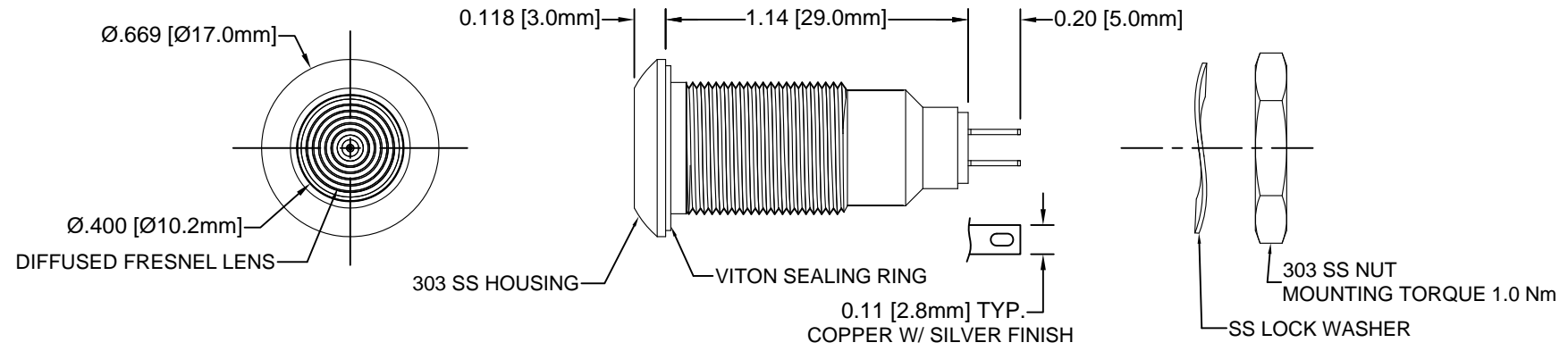
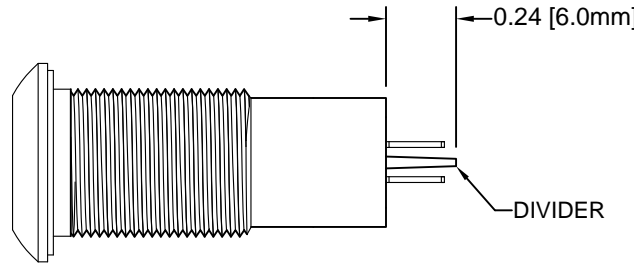
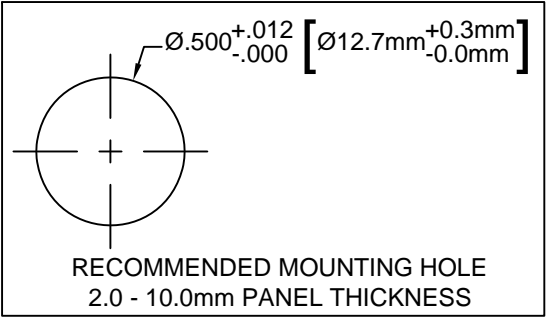


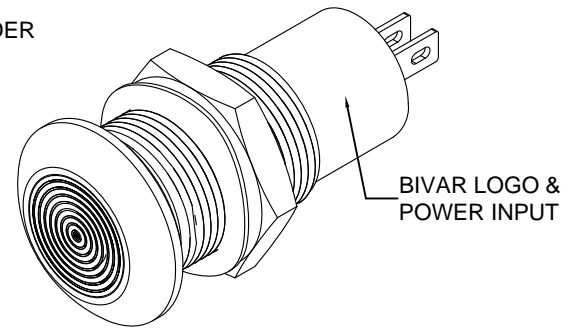
REV.	DESCRIPTION	DATE	APPROVED
B	Engineering Release	07/28/11	T. Y.
C	Engineering Update w/o Changes	08/11/16	J. C.



BELOW 50VAC/DC ASSEMBLY



ABOVE 50VAC/DC ASSEMBLY



- NOTES:
1. SEALED TO IP67 RATING
  2. WIDE RANGE VOLTAGE INPUT
  3. BI-POLAR OPERATION
  4. ROHS COMPLIANT
  5. MOUNTING HARDWARE SHIPPED NON-ASSEMBLED
  6. INSERT VITON RING ON PANEL MOUNT ASSEMBLY PRIOR TO PANEL INSTALLATION

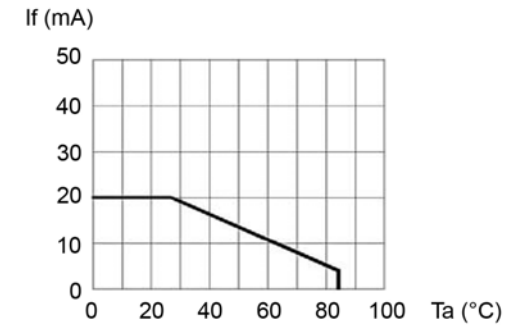
STANDARD TOLERANCE (UNLESS OTHERWISE SPECIFIED)		BIVAR®	
DECIMALS	ANGULAR	4 THOMAS, IRVINE, CA. 92618 TEL: (949) 951-8808 FAX: (949) 951-3974	
.X ± .1	X° ± 1°	<b>TITLE:</b> WATER TIGHT PANEL MOUNT LED ASSEMBLY, 12.7MM MOUNTING <b>PART NO:</b> PM5-S17XXX <b>REVISION:</b> C	
.XX ± .02			
.XXX ± .010			
DESIGNED: <b>R. Paje</b>	DATE: <b>02/23/11</b>	<b>CAGE CODE :</b> 32559 <b>SHEET #</b> 1 OF 2	
CHECKED: <b>T. Yin</b>	DATE: <b>02/23/11</b>	CAD GENERATED DOCUMENT. DO NOT MEASURE DRAWING.	

REV.	DESCRIPTION	DATE	APPROVED
	SEE SHEET #1		

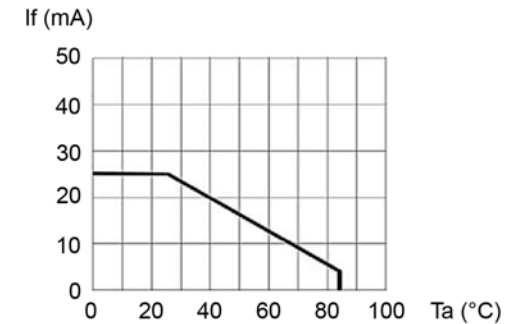
Part Number	Peak Wave Length $\lambda_p$ (nm)	Emitted Color	Lens Appearance	Electro-Optical Data @ 20mA		Viewing Angle
				Vf (VAC/DC)	Iv (mcd)	
				TYP	TYP	
PM5-S17R28V	630	RED	RED DIFFUSED	12-28 VAC/VDC	600	120
PM5-S17Y28V	585	YELLOW	YELLOW DIFFUSED	12-28 VAC/VDC	600	120
PM5-S17G28V	515	GREEN	GREEN DIFFUSED	12-28 VAC/VDC	800	120
PM5-S17B28V	465	BLUE	BLUE DIFFUSED	12-28 VAC/VDC	400	120
PM5-S17R110AC	630	RED	RED DIFFUSED	110 VAC	600	120
PM5-S17Y110AC	585	YELLOW	YELLOW DIFFUSED	110 VAC	600	120
PM5-S17G110AC	515	GREEN	GREEN DIFFUSED	110 VAC	800	120
PM5-S17B110AC	465	BLUE	BLUE DIFFUSED	110 VAC	400	120

Part Number	Chromaticity Coordinates	Emitted Color	Lens Appearance	Electro-Optical Data @ 20mA		Viewing Angle
				Vf (VAC/DC)	Iv (mcd)	
				TYP	TYP	
PM5-S17W28V	X=0.31, Y=0.32	WHITE	WHITE DIFFUSED	12-28 VAC/VDC	1200	120
PM5-S17W110AC	X=0.31, Y=0.32	WHITE	WHITE DIFFUSED	110 VAC	1200	120

### DERATING CURVES




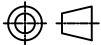
EMITTED COLORS: RED/YELLOW



EMITTED COLORS: GREEN/BLUE/WHITE

## ABSOLUTE MAXIMUM RATINGS (Ta = 25°C)

MAXIMUM POWER DISSIPATION \_\_\_\_\_ 825 mW  
 OPERATING TEMPERATURE RANGE \_\_\_\_\_ -40°C ~ 95°C  
 STORAGE TEMPERATURE \_\_\_\_\_ -40°C ~ 100°C

STANDARD TOLERANCE (UNLESS OTHERWISE SPECIFIED) DECIMALS      ANGULAR		 4 THOMAS, IRVINE, CA. 92618 TEL: (949) 951-8808    FAX: (949) 951-3974	
			
DESIGNED: <b>R. Paje</b>	DATE: <b>02/23/11</b>	<b>TITLE: WATER TIGHT PANEL MOUNT LED ASSEMBLY, 12.7MM MOUNTING</b> <b>PART NO: PM5-S17XXX</b> REVISION: <b>C</b>	
CHECKED: <b>T. Yin</b>	DATE: <b>02/23/11</b>	<b>CAGE CODE : 32559</b> <b>SHEET # 2 OF 2</b> <small>CAD GENERATED DOCUMENT. DO NOT MEASURE DRAWING.</small>	

# Mouser Electronics

Authorized Distributor

Click to View Pricing, Inventory, Delivery & Lifecycle Information:

## BIVAR:

[PM5-S17B110AC](#) [PM5-S17B28V](#) [PM5-S17G110AC](#) [PM5-S17G28V](#) [PM5-S17R110AC](#) [PM5-S17R28V](#) [PM5-S17W110AC](#) [PM5-S17W28V](#) [PM5-S17Y110AC](#) [PM5-S17Y28V](#)