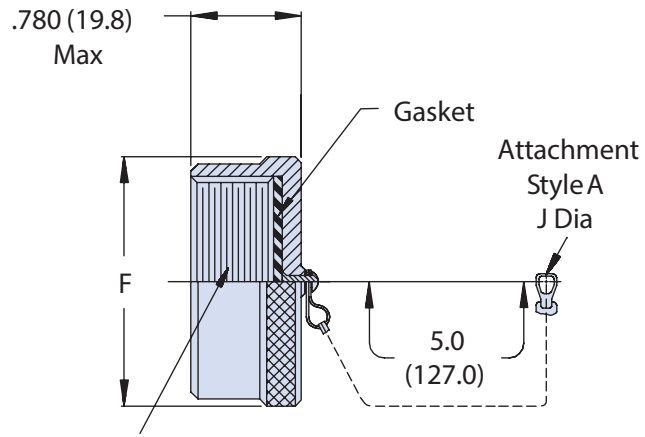
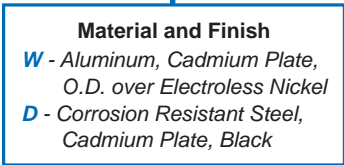
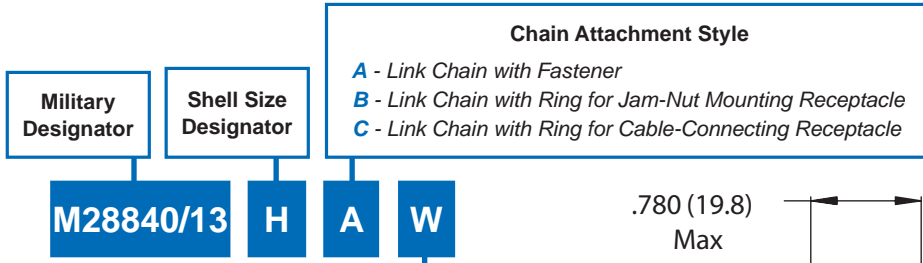


B



E Thread

M28840/13 Receptacle Cover

Designator	E Thread Class 2A	F Max. Diameter	H ± .010 (± .25)	J Dia ± .005 (± .13)	G ± .005 (± .13)
A (11)	.750-.1P-.2L-D.S.	1.028 (26.21)	.890 (22.61)	.130 (3.30)	.765 (19.43)
B (13)	.875-.1P-.2L-D.S.	1.141 (23.98)	1.015 (25.78)		.890 (22.61)
C (15)	1.062-.1P-.2L-D.S.	1.263 (32.08)	1.203 (30.56)		1.015 (25.78)
D (17)	1.125-.1P-.2L-D.S.	1.387 (35.23)	1.265 (32.13)		1.140 (28.96)
E (19)	1.312-.1P-.2L-D.S.	1.513 (38.43)	1.453 (36.91)		1.265 (32.13)
F (23)	1.500-.1P-.2L-D.S.	1.703 (43.51)	1.640 (41.66)		1.453 (36.91)
G (25)	1.625-.1P-.2L-D.S.	1.825 (46.35)	1.765 (44.83)	.156 (3.96)	1.577 (40.06)
H (29)	1.812-.1P-.2L-D.S.	2.143 (54.43)	1.953 (49.61)		1.890 (48.01)
J (33)	2.000-.1P-.2L-D.S.	2.329 (59.16)	2.140 (54.36)		.193 (4.90)

Mouser Electronics

Authorized Distributor

Click to View Pricing, Inventory, Delivery & Lifecycle Information:

Glenair:

[M28840/13DAW](#) [M28840/13ABW](#) [M28840/13ACW](#) [M28840/13BBW](#) [M28840/13BCW](#) [M28840/13CBW](#)
[M28840/13CCW](#) [M28840/13DBW](#) [M28840/13DCW](#) [M28840/13EAW](#) [M28840/13EBW](#) [M28840/13ECW](#)
[M28840/13FAW](#) [M28840/13FBW](#) [M28840/13FCW](#) [M28840/13GAW](#) [M28840/13GBW](#) [M28840/13GCW](#)
[M28840/13HAW](#) [M28840/13HCW](#) [M28840/13JAW](#) [M28840/13JBW](#) [M28840/13JCW](#) [M28840/13AAW](#)
[M28840/13BAW](#) [M28840/13CAW](#) [M28840/13HBW](#)