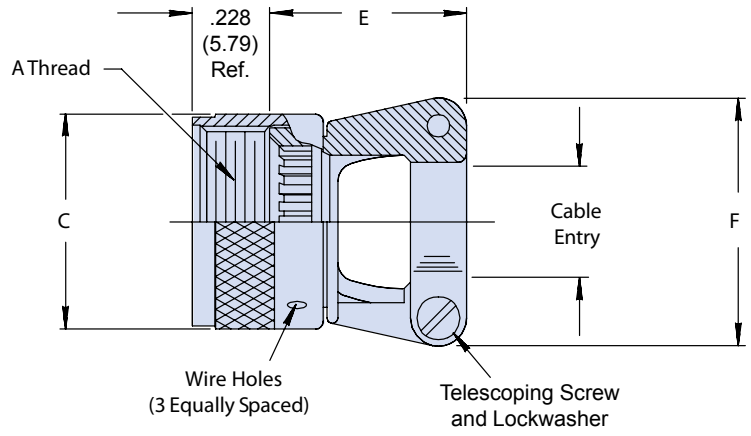
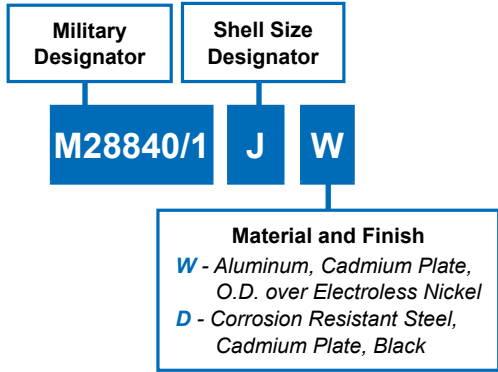


M28840/1 Straight Strain Relief



MIL-DTL-28840
Electrical Connectors



| Designator | A Thread Class 2B | B Max. Diameter | C Max. | D Max. | Screw Size Ref. | Cable Entry | |
|------------|-------------------|-----------------|---------------|---------------|-----------------|--------------|---------------|
| | | | | | | Min. | Max. |
| A (11) | .750-20 UNEF | 1.028 (26.11) | 1.091 (27.71) | .903 (22.94) | .114-40 | .177 (4.50) | .286 (7.26) |
| B (13) | .875-20 UNEF | 1.141 (28.98) | 1.091 (27.71) | .977 (24.82) | .114-40 | .177 (4.50) | .286 (7.26) |
| C (15) | 1.000-20 UNEF | 1.263 (32.08) | 1.091 (27.71) | 1.151 (29.24) | .114-40 | .250 (6.35) | .416 (10.57) |
| D (17) | 1.125-18 UNEF | 1.387 (35.23) | 1.206 (30.63) | 1.281 (32.54) | .114-40 | .291 (7.39) | .476 (12.09) |
| E (19) | 1.250-18 UNEF | 1.513 (38.43) | 1.320 (33.53) | 1.406 (35.71) | .114-40 | .348 (8.84) | .626 (15.90) |
| F (23) | 1.438-18 UNEF | 1.703 (43.26) | 1.445 (36.70) | 1.576 (40.03) | .134-32 | .429 (10.90) | .831 (21.11) |
| G (25) | 1.562-18 UNEF | 1.825 (46.36) | 1.570 (39.88) | 1.666 (42.32) | .134-32 | .523 (13.28) | .956 (24.28) |
| H (29) | 1.875-16 UN | 2.143 (54.43) | 1.721 (43.71) | 2.046 (51.97) | .134-32 | .643 (16.33) | 1.081 (27.46) |
| J (33) | 2.062-16 UNS | 2.329 (59.16) | 1.908 (48.46) | 2.209 (56.11) | .162-32 | .704 (17.88) | 1.187 (30.15) |

Dimensions in Inches (millimeters) are subject to change without notice.



Mouser Electronics

Authorized Distributor

Click to View Pricing, Inventory, Delivery & Lifecycle Information:

[Glenair:](#)

[M28840/1GW](#)