

THE INFORMATION CONTAINED HEREIN IS CONSIDERED "PROPRIETARY" TO BEL FUSE INC. AND SHALL NOT BE COPIED, REPRODUCED OR DISCLOSED WITHOUT THE WRITTEN APPROVAL OF BEL FUSE INC.

LED 2 & 4 POLARITY		LED 1 & 3 POLARITY	
PIN 13	PIN 14	PIN 15	PIN 16
+	-	+	-
YELLOW	YELLOW	GREEN	ORANGE

ELECTRICAL CHARACTERISTICS @ 25°C

LED 2 & 4

LED 1 & 3

TRD1+ 1	TRD1+ 1
TRCT1 3	TRCT1 3
TRD1- 2	TRD1- 2
TRD2+ 4	TRD2+ 4
TRCT2 6	TRCT2 6
TRD2- 5	TRD2- 5
TRD3+ 7	TRD3+ 7
TRCT3 9	TRCT3 9
TRD3- 8	TRD3- 8
TRD4+ 10	TRD4+ 10
TRCT4 12	TRCT4 12
TRD4- 11	TRD4- 11

1CT : 1CT

1CT : 1CT

1CT : 1CT

1CT : 1CT

INS. LOSS (MAX)

1MHz TO 20MHz	-0.8 dB
50MHz	-1.0 dB
200MHz	-1.2 dB
400MHz	-2.0 dB
500MHz	-3.0 dB

RET. LOSS (MIN) _FORM TESTING

1MHz	-20 dB
2MHz	-20 dB
100MHz	-20 dB
200MHz	-17 dB
300MHz	-13 dB
400MHz	-10 dB
500MHz	-6 dB

CM TO DM REJ

1MHz - 500MHz	-30 dB MIN
---------------	------------

HIPOT (Isolation Voltage): 2250VDC

100% OF PRODUCTION TESTED TO COMPLY WITH IEEE 802.3 ISOLATION REQUIREMENTS.

LED 1 & 3

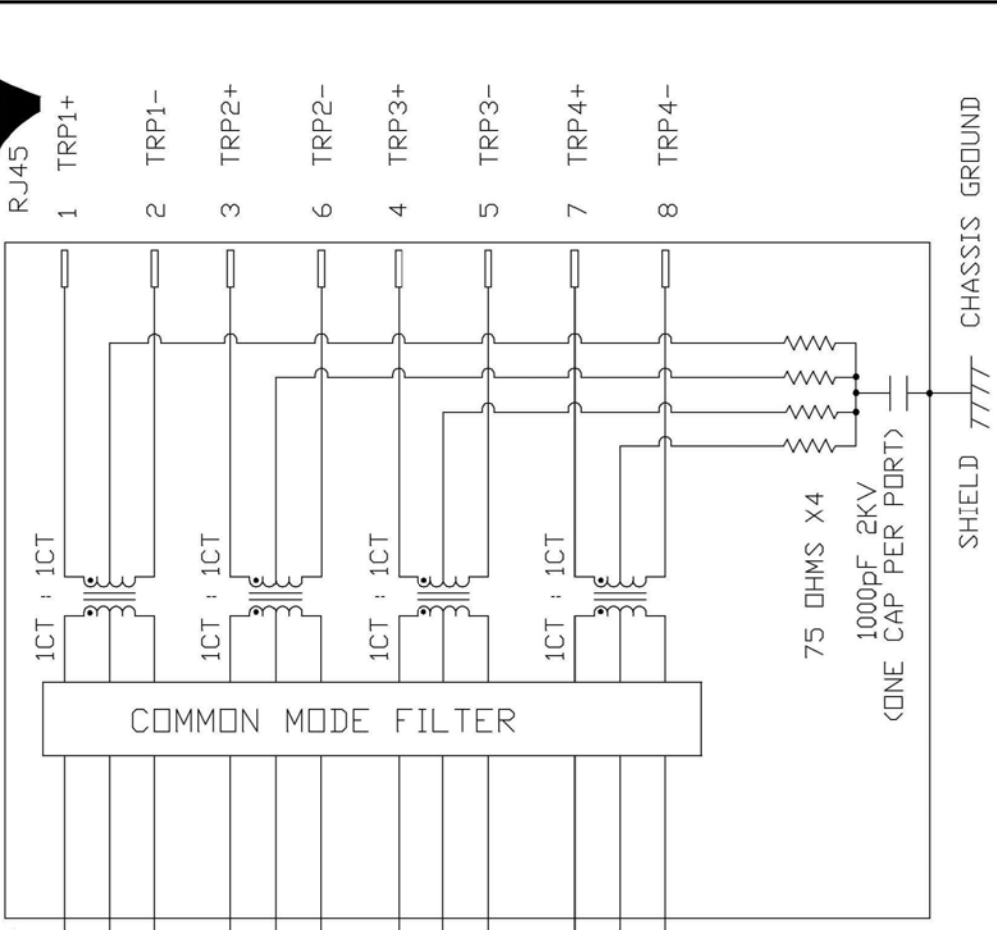
VF (FORWARD VOLTAGE)	IF=20mA	GREEN 2.2V TYP.
		ORANGE 2.0V TYP.
λD (DOMINANT WAVELENGTH)	IF=20mA	GREEN 570nm TYP.
		ORANGE 605nm TYP.
LED 2 & 4		
VF (FORWARD VOLTAGE)	IF=20mA	YELLOW 2.1V TYP.
λD (DOMINANT WAVELENGTH)	IF=20mA	YELLOW 590nm TYP.

LED 1 & 3

LED 2 & 4



SCHEMATIC



REV. : PC PAGE : 2

bel a bel group

MAGNETIC SOLUTIONS

STANDARD DIM.	[] METRIC DIM.
TOL. IN INCH	AS REF.
.X	UNIT : INCH [mm]
.XX	SCALE : N/A
.XXX	SIZE : A4

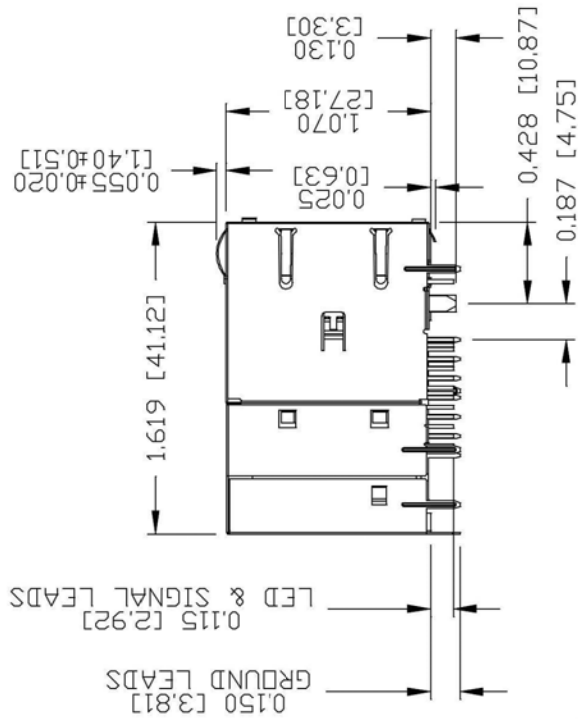
PART NO. / DRAWING NO.	G23-21YR-112
FILE NAME	G23-21YR-112_PC.DWG

2X1 10 Gigabit MagJack®

PATENTED

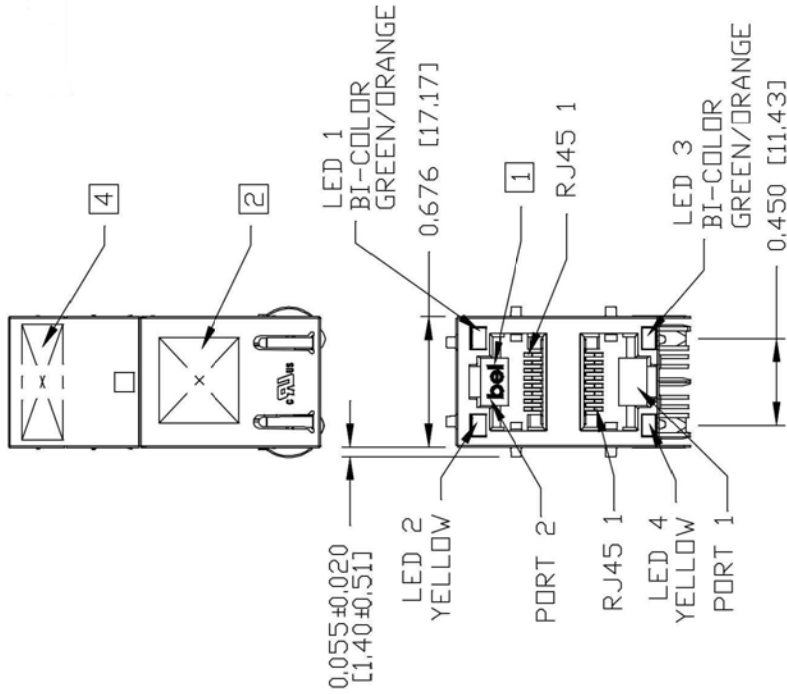
ORIGINATED BY	CHOW WANCHUNG
DATE	2015-08-15
DRAWN BY	HU XIANG
DATE	2015-08-15

THE INFORMATION CONTAINED HEREIN IS CONSIDERED "PROPRIETARY" TO BEL FUSE INC. AND SHALL NOT BE COPIED, REPRODUCED OR DISCLOSED WITHOUT THE WRITTEN APPROVAL OF BEL FUSE INC.



NOTES:

- 1. JACK CAVITY CONFORMS TO FCC RULES AND REGULATIONS, PART 68 SUBPART F.
- 2. MARK PART WITH MFG LOGO, NAME, PART NUMBER AND DATE CODE.



- 3. THE PRODUCT IS RoHS COMPLIANT
- 4. THE PRODUCT IS PATENTED. "PATENTED" MARKING IS ON THE TOP SURFACE. THE PATENT NUMBER ARE U.S. PAT. 7,429,195 & U.S. PAT. 5,736,910 & U.S. PAT. 6,840,817 & U.S. PAT. 7,123,117 AND U.S. PAT. 7,924,130.
- 5. THE AXIAL RETENTION FORCE OF RJ PORT IS 15LBS MIN.

PLASTIC HOUSING: THERMOPLASTIC PBT
 FLAMMABILITY RATING UL 94V-0
 CONTACT PLATING: 50 MICRO-INCH HARD GOLD PLATING OR EQUIVALENT
 OUTPUT PINS: TIN-COATED COPPER WIRE, DIA 0.018 INCH.
 METAL SHIELD: NICKEL PLATED ON COPPER ALLOY.
 (ALL GROUND LEADS ARE SOLDER DIPPED)

ORIGINATED BY SANDY LIN

DATE 2015-08-15

DRAWN BY XUE RIPING

DATE 2015-08-15

TITLE 2X1 10 Gigabit MagJack®

PATENTED

PART NO. / DRAWING NO. G23-21YR-112

FILE NAME G23-21YR-112_PC.DWG

STANDARD DIM. [] METRIC DIM. AS REF.

TOL. IN INCH

.X

.XX

.XXX

+0.010

SIZE : A4

REV. : PC

PAGE : 3



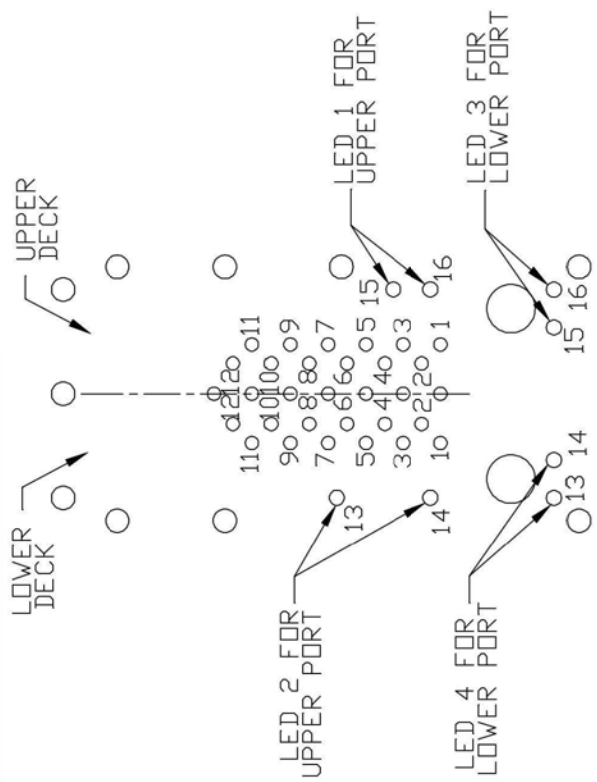
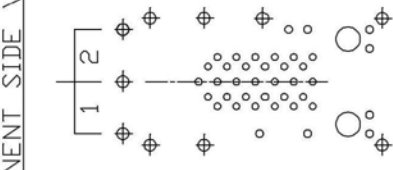
MAGNETIC SOLUTIONS

a bel group

THE INFORMATION CONTAINED HEREIN IS CONSIDERED "PROPRIETARY" TO BEL FUSE INC. AND SHALL NOT BE COPIED, REPRODUCED OR DISCLOSED WITHOUT THE WRITTEN APPROVAL OF BEL FUSE INC.

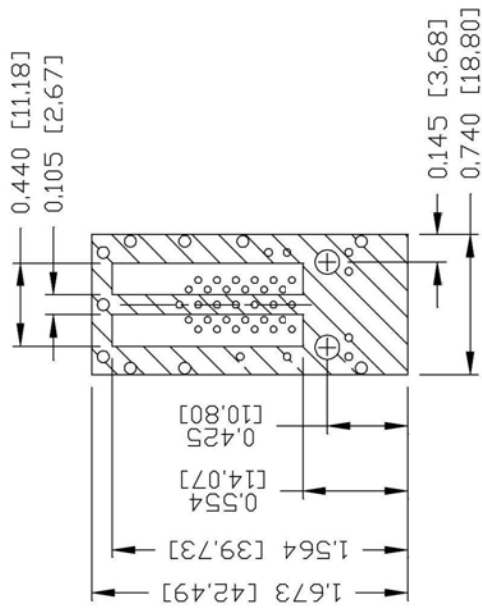


PORT ASSIGNMENT
(COMPONENT SIDE VIEW2)



PIN-OUT INFORMATION
(COMPONENT SIDE VIEW2)

10	TRD4+
9	TRCT3
8	TRD3-
7	TRD3+
6	TRCT2
5	TRD2-
4	TRD2+
3	TRCT1
2	TRD1-
1	TRD1+
16	ORANGE(+)/GREEN(-)
15	ORANGE(-)/GREEN(+)
14	YELLOW (-)
13	YELLOW (+)
12	TRCT4
11	TRD4-



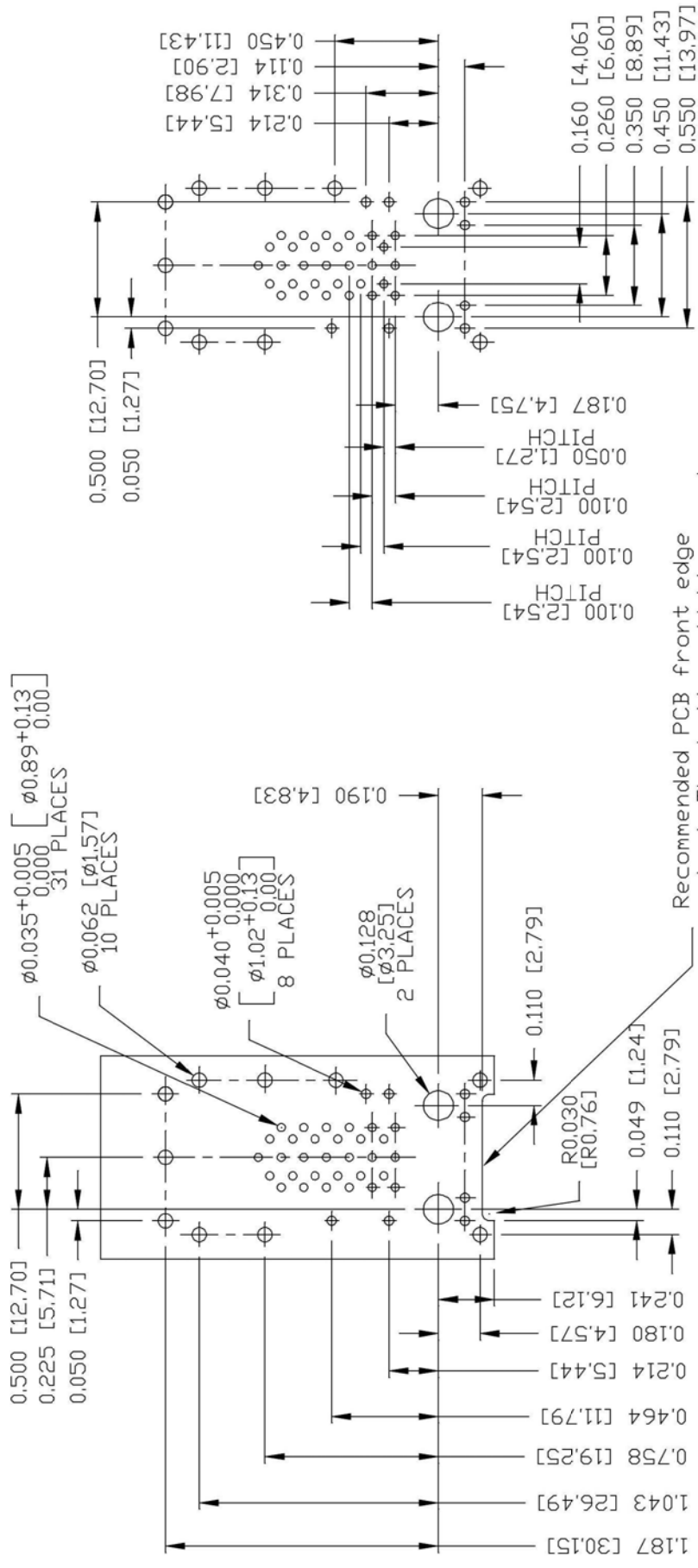
THE SHADED AREA ON THE CUSTOMER BOARD ARE RECOMMENDED TO BE CLEAR OFF ANY VIA HOLE OR COMPONENT PAD.

ORIGINATED BY SANDY LIN	PART NO. / DRAWING NO. G23-21YR-112	STANDARD DIM. TOL. IN INCH .X	[] METRIC DIM. AS REF.
DATE 2015-08-15	FILE NAME G23-21YR-112_PC.DWG	.XX	UNIT : INCH [mm]
DRAWN BY XUE RIPING		.XXX	SCALE : N/A
DATE 2015-08-15			SIZE : A4
TITLE 2X1 10 Gigabit MagJack® PATENTED		REV. : PC	PAGE : 4

This document is electronically generated. This is a controlled copy if used internally



THE INFORMATION CONTAINED HEREIN IS CONSIDERED PROPRIETARY TO BEL FUSE INC. AND SHALL NOT BE COPIED, REPRODUCED OR DISCLOSED WITHOUT THE WRITTEN APPROVAL OF BEL FUSE INC.



Recommended PCB front edge cutout. The bottom shield ground tabs (front) should not be seated on the top of the PCB.

SUGGESTED FOOTPRINT
(COMPONENT SIDE VIEW)

REV. : PC		PAGE : 5	
STANDARD DIM. [] METRIC DIM. AS REF.		TOL. IN INCH	
.X	.XX	.XXX	±0.004
UNIT : INCH [mm]		SCALE : N/A	
PART NO. / DRAWING NO. G23-21YR-112		FILE NAME G23-21YR-112_PC.DWG	
TITLE 2X1 10 Gigabit MagJack®		PATENTED	
ORIGINATED BY SANDY LIN	DATE 2015-08-15	DRAWN BY XUE RIPPING	DATE 2015-08-15
REV. : PC		PAGE : 5	



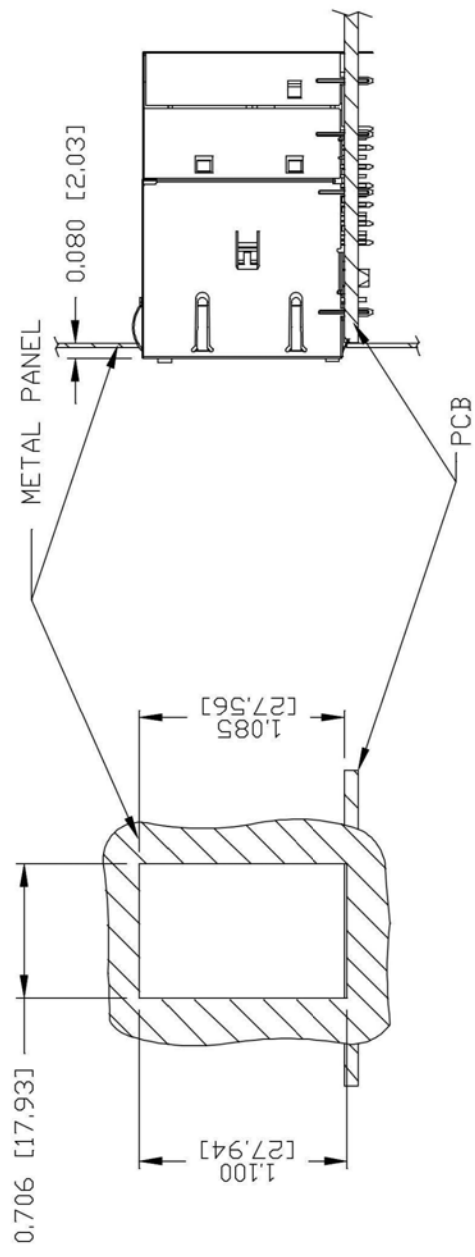
This document is electronically generated. This is a controlled copy if used internally

PC002(2)120214

THE INFORMATION CONTAINED HEREIN IS CONSIDERED "PROPRIETARY" TO BEL FUSE INC. AND SHALL NOT BE COPIED, REPRODUCED OR DISCLOSED WITHOUT THE WRITTEN APPROVAL OF BEL FUSE INC.



SUGGESTED PANEL OPENING



NOTE:

THE DISTANCE OF PANEL INSIDE SURFACE RELATIVE TO FRONT SURFACE OF PART IS ONLY A SUGGESTION. IN CASE THIS DISTANCE IS DIFFERENT, THE REQUIRED PANEL OPENING DIMENSIONS CHANGE ACCORDINGLY.

PACKING INFORMATION

PACKING TRAY : 0200M9999-P3 (TOP)

0200M9999-P2 (BOTTOM)

PACKING QUANTITY : 18 PCS FINISHED GOODS PER TRAY.

9 TRAYS (162 PCS FINISHED GOODS) PER CARTON BOX.

REMARK : CARDBOARDS ARE PLACED BETWEEN LAYERS OF PACKING TRAY INSIDE CARTON BOX. (INCLUDE THE UPPERMOST AND LOWERMOST TRAY)

REV. : PC		PAGE : 6	
ORIGINATED BY SANDY LIN DATE 2015-08-15		PART NO. / DRAWING NO. G23-21YR-112	
DRAWN BY XUE RIPING DATE 2015-08-15		STANDARD DIM. TOL. IN INCH .X .XX .XXX +0,004	
TITLE 2X1 10 Gigabit MagJack® PATENTED		[] METRIC DIM. AS REF. UNIT : INCH [mm] SCALE : N/A SIZE : A4	
		a bel group 	

This document is electronically generated. This is a controlled copy if used internally

DC002(2)120214