

# XB5EV57L4

400 VAC - 3 phases voltage indicator pilot light  
with 3 white LED



## Main

Range of product	Harmony XB5
Product or component type	Monolithic pilot light
Device short name	XB5
Bezel material	Plastic
Fixing collar material	Plastic
Mounting diameter	30 mm
Sale per indivisible quantity	1
Shape of signaling unit head	Round
Cap/Operator or lens colour	Clear
Light source	Protected LED
Bulb base	Integral LED
Light source colour	White
Network number of phases	3 phases
[Us] rated supply voltage	360...440 V AC, 50/60 Hz
Device presentation	Monolithic product

## Complementary

Height	65.5 mm
Width	36 mm
Depth	77 mm
Product weight	0.065 kg
[Uimp] rated impulse withstand voltage	1 kV conforming to IEC 61000-4-5
Supply voltage limits	450 V AC
Current consumption	2.6 mA
Service life	100000 h at rated voltage and 25 °C
Surge withstand	1 kV conforming to IEC 61000-4-5

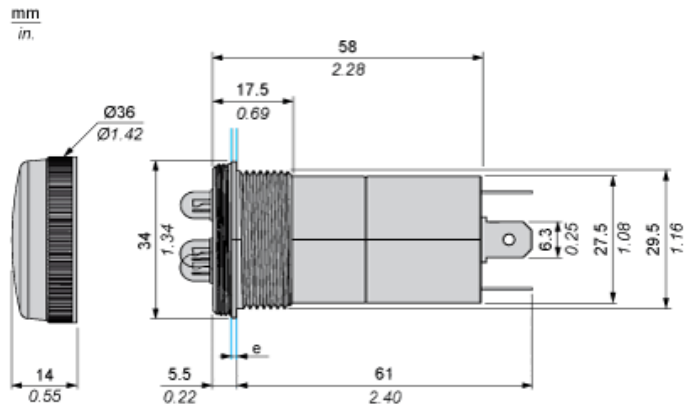
## Environment

Ambient air temperature for storage	-40...70 °C
Ambient air temperature for operation	-30...70 °C
IP degree of protection	IP55 (front face) conforming to IEC 60529 IP67 (front face) IP20 (back face)
IK degree of protection	IK10 conforming to IEC 50102
Standards	EN/IEC 60947-5-4 EN/IEC 60947-1 EN/IEC 60947-5-1
Resistance to fast transients	2 kV conforming to IEC 61000-4-4
Resistance to electromagnetic fields	10 V/m conforming to IEC 61000-4-3
Electromagnetic compatibility	Electrostatic discharge 4 kV on contact (on metal parts) IEC 61000-4-2 Electrostatic discharge 8 kV in free air (in insulating parts) IEC 61000-4-2

## Offer Sustainability

Sustainable offer status	Not Green Premium product
RoHS (date code: YYWW)	Compliant - since 1645 - Schneider Electric declaration of conformity <a href="#">Schneider Electric declaration of conformity</a>
REACH	Reference not containing SVHC above the threshold <a href="#">Reference not containing SVHC above the threshold</a>

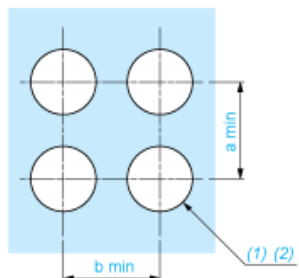
Dimensions



(e) clamp thickness max. 6mm / 0.24 in.

Panel Cut-out for Pilot Light(Finished Holes, Ready for Installation)

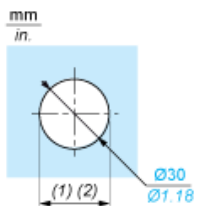
Connection by Faston Connectors



- (1) Diameter on finished panel or support
- (2) Ø30 mm recommended / Ø1.2 in. recommended

Connections	a in mm	a in in.	b in mm	b in in.
By Faston Connectors	40	1.57	40	1.57

Panel Cut-out

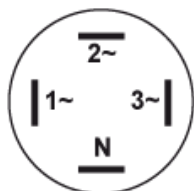


- (1) Diameter on finished panel or support
- (2) Ø30 mm recommended / Ø1.2 in. recommended

---

Wiring Diagram

---



- (1) Phase 1
- (2) Phase 2
- (3) Phase 3
- (N) Neutral