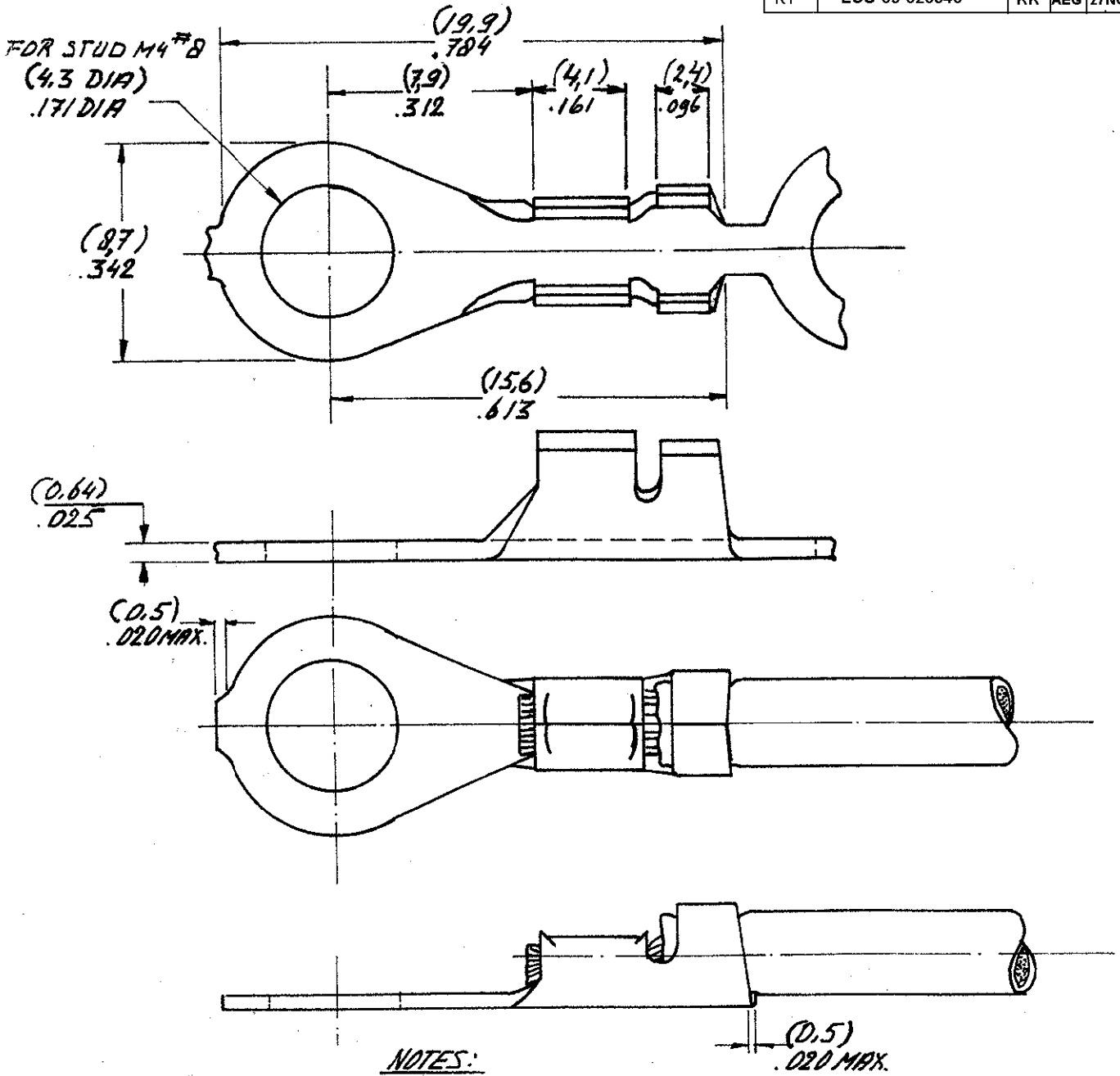


DRAWING MADE IN AMERICAN PROJECTION

LTR	REVISION RECORD	DWN	CHK	DATE
K1	ECO-09-026346	KK	AEG	27NOV09

C-160101



NOTES:

4 OBSOLETE PARTS: OBSOLETE CIS STREAMLINING PER D.RENAUD/D.SINISI

- 1 FOR USE ON MINIATURE APPLICATORS (LEFT-RIGHT FEED) AMP D.I.ATOR APPLICATION
- 2 FOR USE ON STANDARD AND MINIATURE APPLICATORS.
- 3 REELED WITH PAPER COVER.

160101-9	STEEL	NICKELPLATED
160101-8	PHOSPH. BRONZE	---
160101-7	BRASS	---
160101-6	STEEL	NICKELPLATED
160101-4	BRASS	---
160101-3	PHOSPH. BRONZE	---
160101-2	BRASS	TIN PLATED
160101-1	BRASS	---

CUSTOMER COPY FOR REFERENCE ONLY

©1980 BY AMP-HOLLAND N.V. ALL RIGHTS RESERVED A-MP PRODUCTS COVERED BY PATENTS AND/OR PATENTS PENDING.



AMP-HOLLAND B.V.
's-Hertogenbosch

WIRE-RANGE 20-16 AWG 0.5-1.5 mm 2	INSUL.-RANGE 080-120 DIA (20-30)	FIRST USED
---	--	------------

ORDER NO.	MATERIAL	PLATING
-----------	----------	---------

SCALE N.T.S.	SIZE A	NO C-160101	REV K1
-----------------	-----------	----------------	-----------

DR U. SUSTEREN	25/ DATE 11.80	DE DATE
CHK S. [Signature]	29/ DATE 11.80	APP [Signature] 29.1.80

NAME RING TONGUE WITH INS. SUPPORT

DIMENSIONS IN (MM) DO NOT SCALE PRINT