

FEATURES

- Glass cartridge
- 5mm x 20mm cartridge size
- T Speed Rating
- Anti-surge
- Low Breaking Capacity

Eaton Bussmann Series, 2.5A Glass Cartridge Fuse, 5 x 20mm, Speed T

RS Stock No.: 537-1486



RS Professionally Approved Products bring to you professional quality parts across all product categories. Our product range has been tested by engineers and provides a comparable quality to the leading brands without paying a premium price.

Product Description

Glass cartridge fuses are ideal for providing protection to devices or internal circuits from short circuits and overcurrent. They are deliberately weaker components which, when too much current is drawn, will blow. Once the fuse has blown it will need replacing in order to make the circuit complete and allow the flow of current.

General Specifications

Fuse Speed	T
Body Material	Glass
Type	Time delay
Applications	Industrial, Commercial, Home/Residential, Automotive

Electrical Specifications

Current Rating	2.5A
Voltage Rating	250V ac

Mechanical Specifications

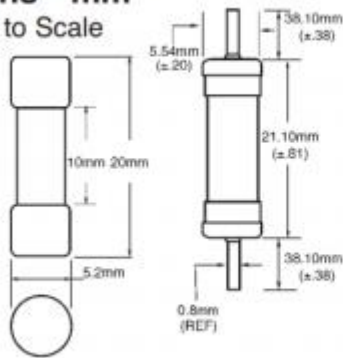
Fuse Size	5mm x 20mm
Overall Length	20mm
Diameter	5mm

Approvals

Compliance/Certifications	cURus, SEMKO, VDE, CSA , UL, BSI, IMQ, CCC
----------------------------------	--

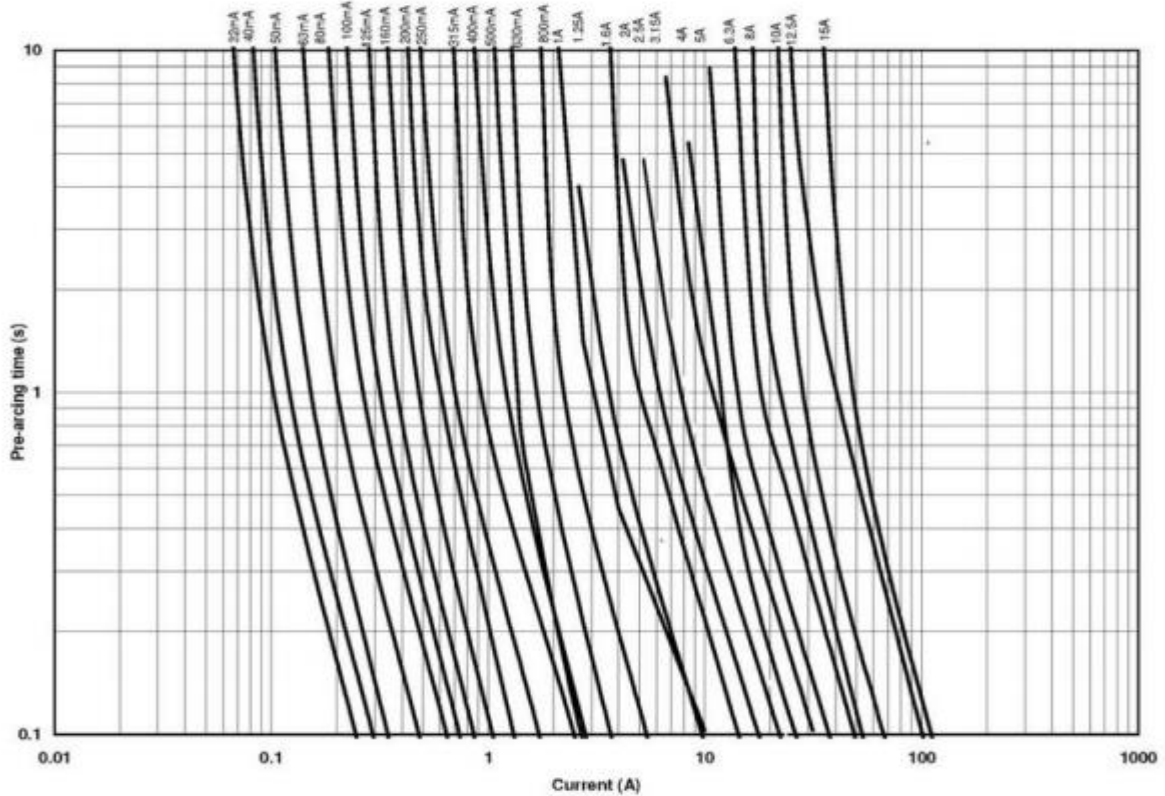


Dimensions - mm
Drawing Not to Scale



- Ratings above 4A have a 0.81mm diameter lead

Nominal Time-Current Characteristics of S506-R



S506 Electrical Characteristics								
I_n	$2.1 I_n$		$2.75 I_n$		$4 I_n$		$10 I_n$	
	max	min	max	min	max	min	max	
32mA-100mA	2 min	200 ms	10 sec	40 ms	3 sec	10 ms	300 ms	
125mA-6.3A	2 min	600 ms	10 sec	150 ms	3 sec	20 ms	300 ms	
8A-15A	2 min	600 ms	10 sec	150 ms	3 sec	20 ms	300 ms	