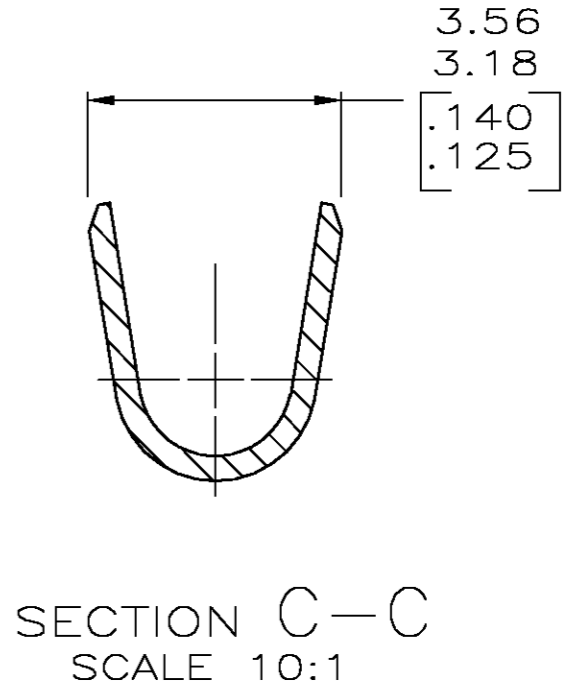
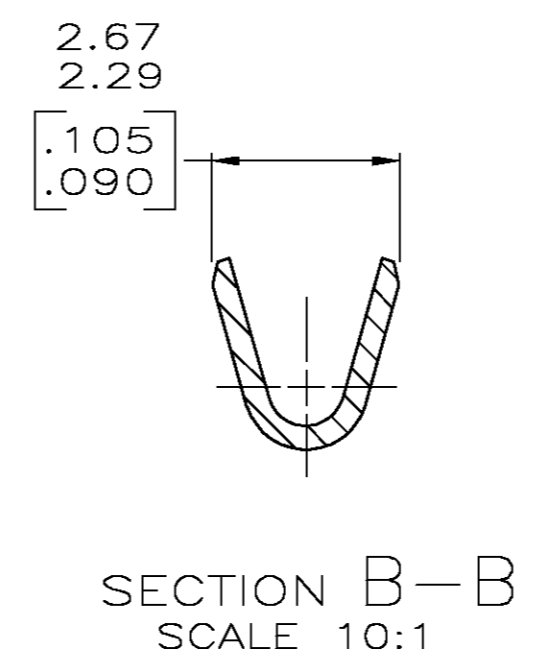
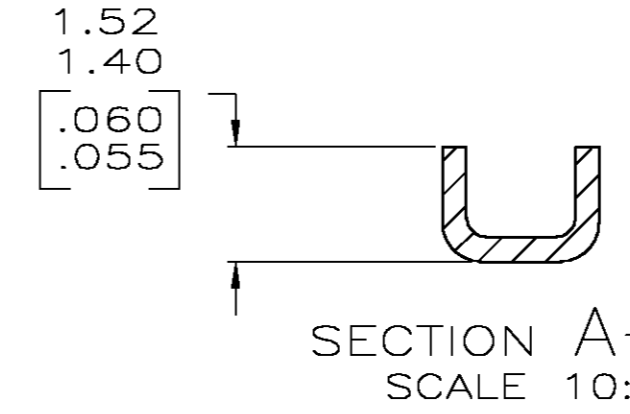
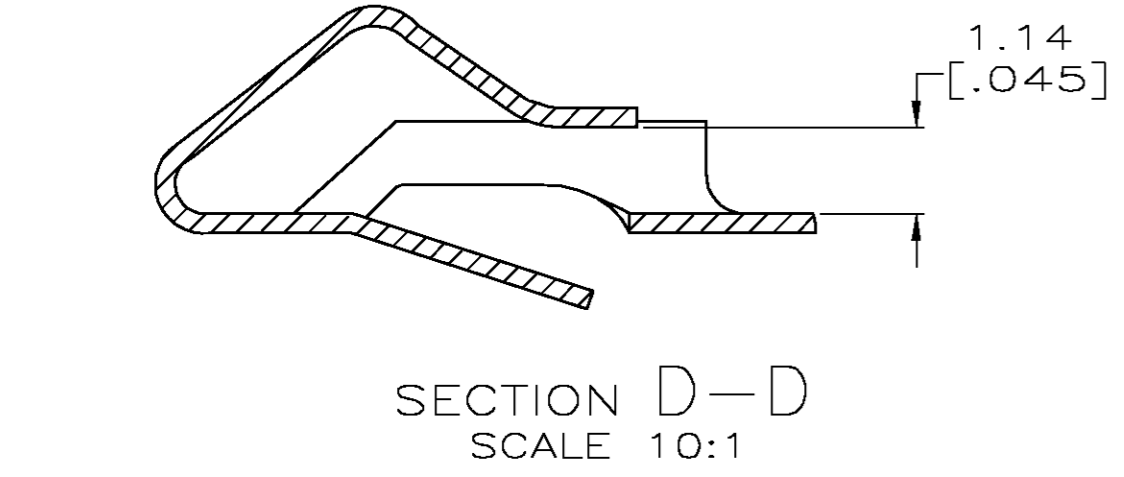
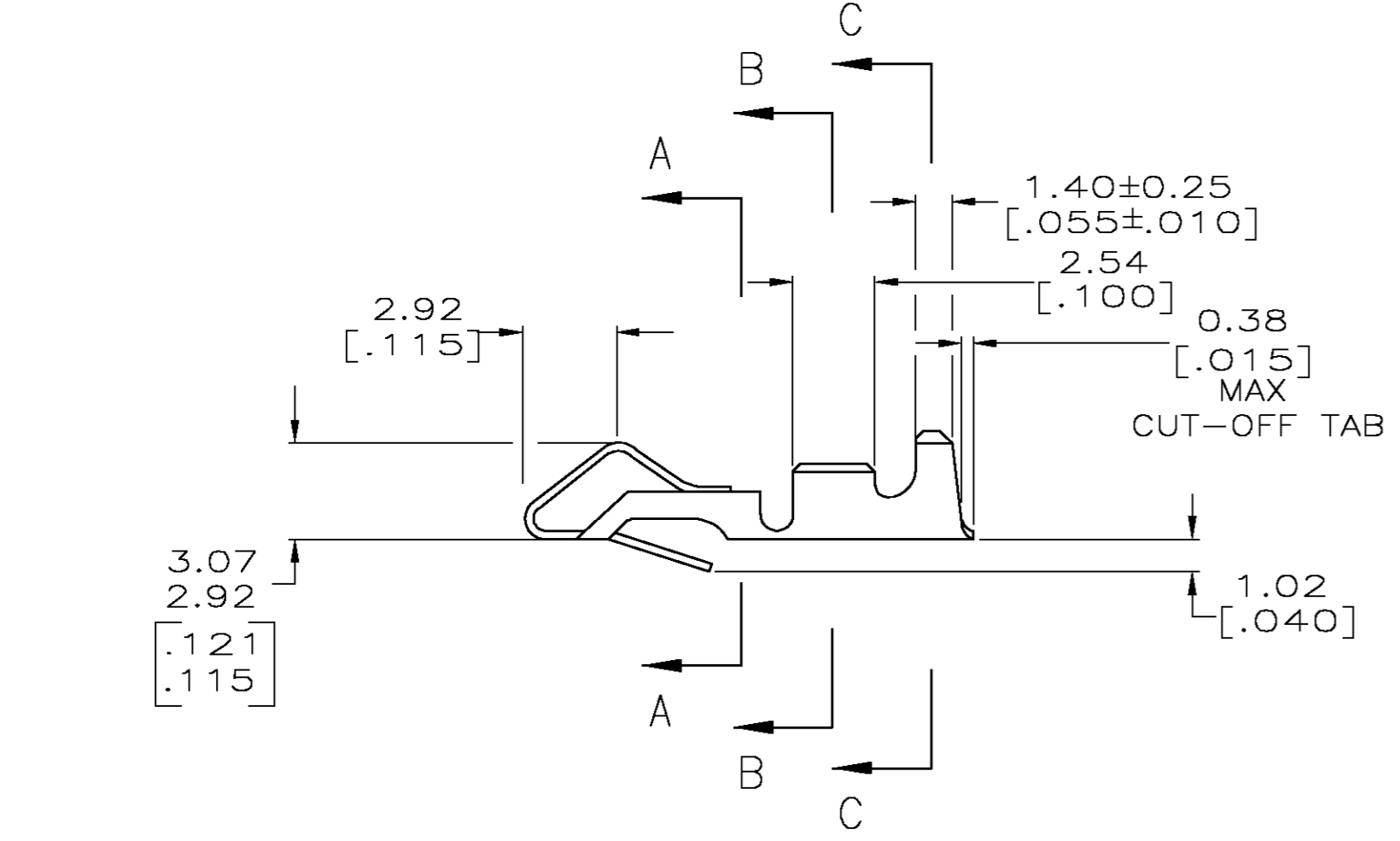
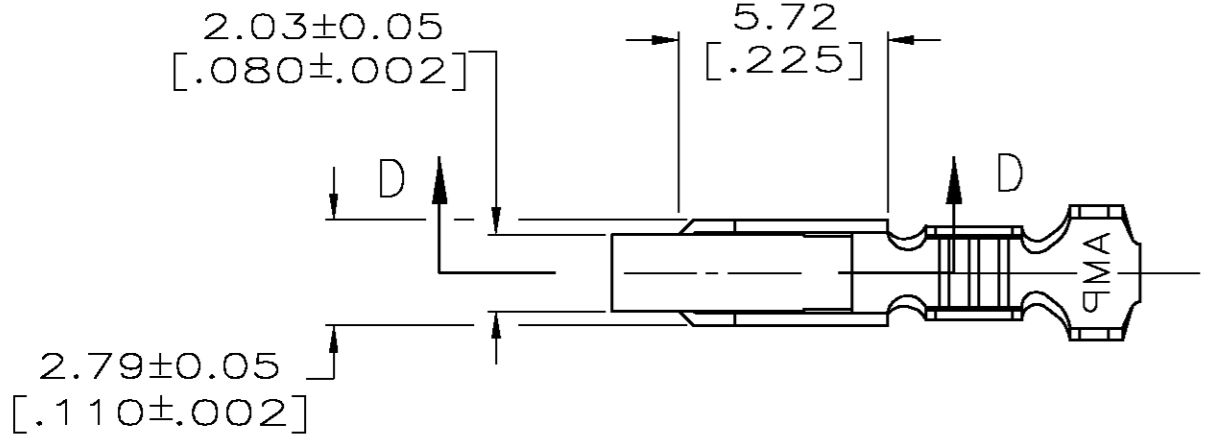


THIS DRAWING IS UNPUBLISHED. RELEASED FOR PUBLICATION  
 © COPYRIGHT BY TYCO ELECTRONICS CORPORATION. ALL RIGHTS RESERVED.

LOC	DIST	REVISIONS					
CM	00	P	LTR	DESCRIPTION	DATE	DWN	APVD
		E		REV PER ECN 0G3B-03B3-03	21AUG03	SC	JE

- ① 0.00203 [.000080] MIN BRIGHT TIN-LEAD OVER  
0.00127 [.000050] MIN NICKEL.
- ② 0.00330 [.000130] MAX PRE-TIN.
- 3. WIRE RANGE: 0.2-0.9mm<sup>2</sup> (24-18 AWG).  
INSULATION RANGE: 2.79 [.110] DIA MAX.
- 4. DIMENSIONS IN BRACKETS ARE IN INCHES.
- ⑤ 0.00203 [.000080] MIN BRIGHT TIN OVER  
0.00127 [.000050] MIN NICKEL.



⑤	3-640706-1
②	640706-2
①	640706-1
FINISH	PART NO

**METRIC**

THIS DRAWING IS A CONTROLLED DOCUMENT.		DWN S. CARPENTER 21AUG2003	Tyco Electronics Corporation Harrisburg, PA 17105	
DIMENSIONS: INCHES		CHK J. ELLIS 21AUG2003	NAME RECEPTACLE, SL-156, LOOSE PIECE	
TOLERANCES UNLESS OTHERWISE SPECIFIED:		APVD J. ELLIS 21AUG2003	SIZE A2	
0 PLC ± 1 PLC ± 2 PLC ± 0.13 [.005] 3 PLC ± 4 PLC ±		PRODUCT SPEC	CAGE CODE 00779	DRAWING NO 640706
MATERIAL 0.33 [.013] BRASS		FINISH SEE TABLE	SCALE 5:1	SHEET 1 OF 1
APPLIC. SPEC		WEIGHT	RESTRICTED TO	REV E
CUSTOMER DRAWING		SCALE 5:1 SHEET 1 OF 1 REV E		