

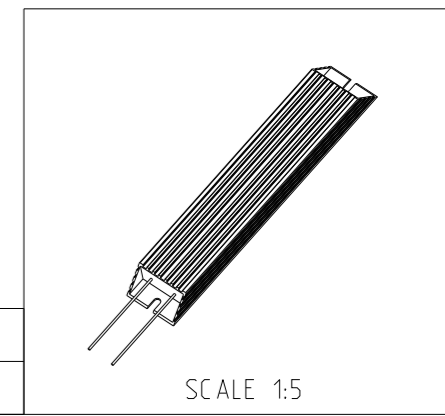
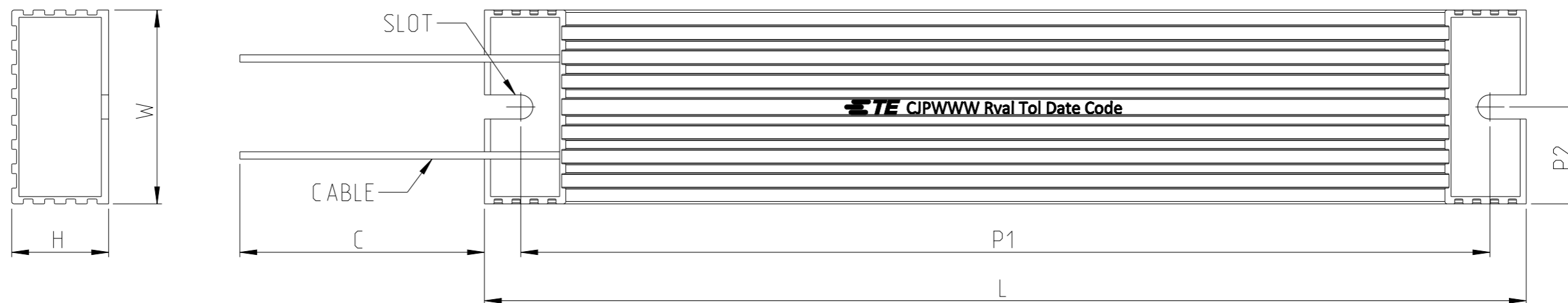
NOTE:


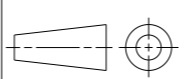
- 1 MOUNTING: 2x SLOT 5x10mm
- 2 TERMINATION CABLES: UL APPROVED FEP CABLES FOR THE TERMINATIONS, BASED ON THE RESISTOR CURRENT RATING (SEE CHART BELOW) WITH E5 RING TERMINALS

CURRENT RATING	CABLE SIZE USED
≤15A	16 AWG
>15A & ≤25A	14 AWG
>25A & ≤35A	12 AWG

3 FOR FURTHER INFORMATION SEE DATA SHEET FOR CJP SERIES OF ALUMINIUM HOUSED RESISTOR

P	LTR	DESCRIPTION	DATE	DWN	APVD
	A	INITIAL DRAWING RELEASE	27MAY2022	KS	AP



PART NUMBER	L	W	H	C	P1	P2
CJP150	215	40	20	290	200	20
THIS DRAWING IS A CONTROLLED DOCUMENT.			DWN KARTHIK S 27MAY2022		 TE Connectivity NAME ALUMINIUM ENCLOSED RESISTOR CJP150 SERIES	
DIMENSIONS: mm			TOLERANCES UNLESS OTHERWISE SPECIFIED:			
			0 PLC ±- 1 PLC ±0.5 2 PLC ±0.13 3 PLC ±0.013 4 PLC ±0.0001 ANGLES ±-			
MATERIAL			FINISH			
			WEIGHT		SIZE A3	
			CUSTOMER DRAWING		CAGE CODE 00779	
					DRAWING NO C=2176506	
					RESTRICTED TO	
					SCALE 1:1	
					SHEET 1 OF 2	
					REV A	

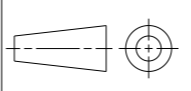
REVISIONS

P	LTR	DESCRIPTION	DATE	DWN	APVD
-		SEE SHEET 1	-	-	-


SCHEDULE

TCPN	PRODUCT NUMBER	MATERIAL DESCRIPTION	PART STATUS
2176506-1	C JP150J6R8J	C JP 150W 6R8 5% LEAD	PRODUCTION
2176506-2	C JP150J8R2J	C JP 150W 8R2 5% LEAD	PRODUCTION
2176506-3	C JP150J10RJ	C JP 150W 10R 5% LEAD	PRODUCTION
2176506-4	C JP150J12RJ	C JP 150W 12R 5% LEAD	PRODUCTION
2176506-5	C JP150J15RJ	C JP 150W 15R 5% LEAD	PRODUCTION
2176506-6	C JP150J18RJ	C JP 150W 18R 5% LEAD	PRODUCTION
2176506-7	C JP150J22RJ	C JP 150W 22R 5% LEAD	PRODUCTION
2176506-8	C JP150J27RJ	C JP 150W 27R 5% LEAD	PRODUCTION
2176506-9	C JP150J33RJ	C JP 150W 33R 5% LEAD	PRODUCTION
1-2176506-0	C JP150J39RJ	C JP 150W 39R 5% LEAD	PRODUCTION
1-2176506-1	C JP150J47RJ	C JP 150W 47R 5% LEAD	PRODUCTION
1-2176506-2	C JP150J56RJ	C JP 150W 56R 5% LEAD	PRODUCTION
1-2176506-3	C JP150J68RJ	C JP 150W 68R 5% LEAD	PRODUCTION
1-2176506-4	C JP150J82RJ	C JP 150W 82R 5% LEAD	PRODUCTION
1-2176506-5	C JP150J100RJ	C JP 150W 100R 5% LEAD	PRODUCTION
1-2176506-6	C JP150J120RJ	C JP 150W 120R 5% LEAD	PRODUCTION
1-2176506-7	C JP150J150RJ	C JP 150W 150R 5% LEAD	PRODUCTION
1-2176506-8	C JP150J180RJ	C JP 150W 180R 5% LEAD	PRODUCTION
1-2176506-9	C JP150J220RJ	C JP 150W 220R 5% LEAD	PRODUCTION
2-2176506-0	C JP150J270RJ	C JP 150W 270R 5% LEAD	PRODUCTION
2-2176506-1	C JP150J330RJ	C JP 150W 330R 5% LEAD	PRODUCTION
2-2176506-2	C JP150J390RJ	C JP 150W 390R 5% LEAD	PRODUCTION
2-2176506-3	C JP150J470RJ	C JP 150W 470R 5% LEAD	PRODUCTION
2-2176506-4	C JP150J560RJ	C JP 150W 560R 5% LEAD	PRODUCTION
2-2176506-5	C JP150J680RJ	C JP 150W 680R 5% LEAD	PRODUCTION
2-2176506-6	C JP150J820RJ	C JP 150W 820R 5% LEAD	PRODUCTION
2-2176506-7	C JP150J1K0J	C JP 150W 1K0 5% LEAD	PRODUCTION

THIS DRAWING IS A CONTROLLED DOCUMENT.

DIMENSIONS: mm	TOLERANCES UNLESS OTHERWISE SPECIFIED:
	0 PLC ± 1 PLC ±0.5 2 PLC ±0.13 3 PLC ±0.013 4 PLC ±0.0001 ANGLES ±
MATERIAL	FINISH
-	-
-	-

DWN	27MAY2022
KARTHIK S	
CHK	27MAY2022
ALLAN P	
APVD	27MAY2022
ALLAN P	
PRODUCT SPEC	
-	
APPLICATION SPEC	
-	
WEIGHT	-
CUSTOMER DRAWING	

 TE Connectivity			
NAME ALUMINIUM ENCLOSED RESISTOR CJP150 SERIES			
SIZE	CAGE CODE	DRAWING NO	RESTRICTED TO
A3	00779	©=2176506	-
SCALE 1:1		SHEET 2 OF 2	REV A