

REVISIONS

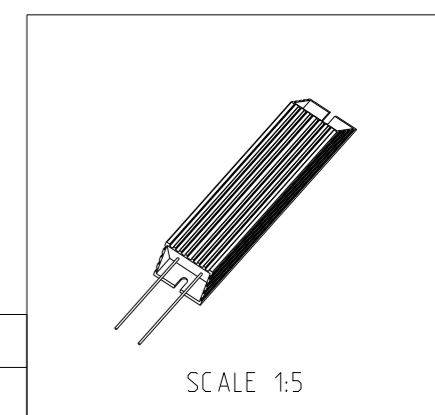
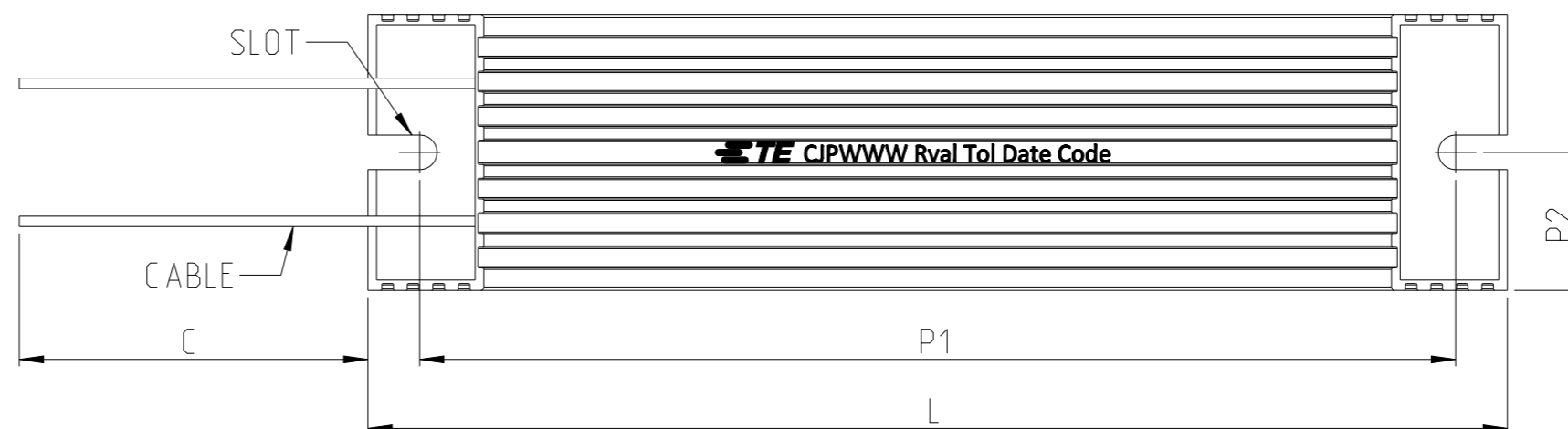
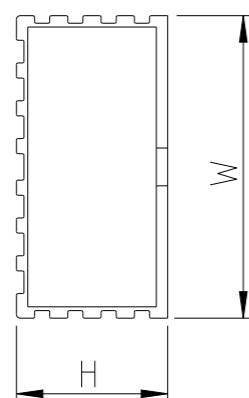
NOTE:

- 1 MOUNTING: 2x SLOT 5x10mm
- 2 TERMINATION CABLES: UL APPROVED FEP CABLES FOR THE TERMINATIONS, BASED ON THE RESISTOR CURRENT RATING (SEE CHART BELOW) WITH E5 RING TERMINALS

CURRENT RATING	CABLE SIZE USED
≤15A	16 AWG
>15A & ≤25A	14 AWG
>25A & ≤35A	12 AWG

3 FOR FURTHER INFORMATION SEE DATA SHEET FOR CJP SERIES OF ALUMINIUM HOUSED RESISTOR

P	LTR	DESCRIPTION	DATE	DWN	APVD
	A	INITIAL DRAWING RELEASE	27MAY2022	KS	AP



PART NUMBER	L	W	H	C	P1	P2
CJP100	165	40	20	290	150	20

THIS DRAWING IS A CONTROLLED DOCUMENT.		DWN KARTHIK S 27MAY2022			ALUMINIUM ENCLOSED RESISTOR CJP100 SERIES		
DIMENSIONS: mm		CHK ALLAN P 27MAY2022					
TOLERANCES UNLESS OTHERWISE SPECIFIED:		APVD ALLAN P 27MAY2022					
		PRODUCT SPEC -	APPLICATION SPEC -		SIZE A3	CAGE CODE 00779	
MATERIAL -		FINISH -	WEIGHT -		DRAWING NO C=2176504	RESTRICTED TO -	
CUSTOMER DRAWING					SCALE 1:1	SHEET 1 OF 2	REV A

REVISIONS


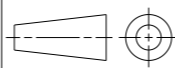
P	LTR	DESCRIPTION	DATE	DWN	APVD
	-	SEE SHEET 1	-	-	-

SCHEDULE

TCPN	PRODUCT NUMBER	MATERIAL DESCRIPTION	PART STATUS
2176504-1	C JP100J1R0J	C JP 100W 1R0 5% Lead	PRODUCTION
2176504-2	C JP100J1R2J	C JP 100W 1R2 5% Lead	PRODUCTION
2176504-3	C JP100J1R5J	C JP 100W 1R5 5% Lead	PRODUCTION
2176504-4	C JP100J1R8J	C JP 100W 1R8 5% Lead	PRODUCTION
2176504-5	C JP100J2R2J	C JP 100W 2R2 5% Lead	PRODUCTION
2176504-6	C JP100J2R7J	C JP 100W 2R7 5% Lead	PRODUCTION
2176504-7	C JP100J3R3J	C JP 100W 3R3 5% Lead	PRODUCTION
2176504-8	C JP100J3R9J	C JP 100W 3R9 5% Lead	PRODUCTION
2176504-9	C JP100J4R7J	C JP 100W 4R7 5% Lead	PRODUCTION
1-2176504-0	C JP100J5R6J	C JP 100W 5R6 5% Lead	PRODUCTION
1-2176504-1	C JP100J6R8J	C JP 100W 6R8 5% Lead	PRODUCTION
1-2176504-2	C JP100J8R2J	C JP 100W 8R2 5% Lead	PRODUCTION
1-2176504-3	C JP100J10RJ	C JP 100W 10R 5% Lead	PRODUCTION
1-2176504-4	C JP100J12RJ	C JP 100W 12R 5% Lead	PRODUCTION
1-2176504-5	C JP100J15RJ	C JP 100W 15R 5% Lead	PRODUCTION
1-2176504-6	C JP100J18RJ	C JP 100W 18R 5% Lead	PRODUCTION
1-2176504-7	C JP100J22RJ	C JP 100W 22R 5% Lead	PRODUCTION
1-2176504-8	C JP100J27RJ	C JP 100W 27R 5% Lead	PRODUCTION
1-2176504-9	C JP100J33RJ	C JP 100W 33R 5% Lead	PRODUCTION
2-2176504-0	C JP100J39RJ	C JP 100W 39R 5% Lead	PRODUCTION

SCHEDULE

TCPN	PRODUCT NUMBER	MATERIAL DESCRIPTION	PART STATUS
2-2176504-1	C JP100J47RJ	C JP 100W 47R 5% Lead	PRODUCTION
2-2176504-2	C JP100J56RJ	C JP 100W 56R 5% Lead	PRODUCTION
2-2176504-3	C JP100J68RJ	C JP 100W 68R 5% Lead	PRODUCTION
2-2176504-4	C JP100J82RJ	C JP 100W 82R 5% Lead	PRODUCTION
2-2176504-5	C JP100J100RJ	C JP 100W 100R 5% Lead	PRODUCTION
2-2176504-6	C JP100J120RJ	C JP 100W 120R 5% Lead	PRODUCTION
2-2176504-7	C JP100J150RJ	C JP 100W 150R 5% Lead	PRODUCTION
2-2176504-8	C JP100J180RJ	C JP 100W 180R 5% Lead	PRODUCTION
2-2176504-9	C JP100J220RJ	C JP 100W 220R 5% Lead	PRODUCTION
3-2176504-0	C JP100J270RJ	C JP 100W 270R 5% Lead	PRODUCTION
3-2176504-1	C JP100J330RJ	C JP 100W 330R 5% Lead	PRODUCTION
3-2176504-2	C JP100J390RJ	C JP 100W 390R 5% Lead	PRODUCTION
3-2176504-3	C JP100J470RJ	C JP 100W 470R 5% Lead	PRODUCTION
3-2176504-4	C JP100J560RJ	C JP 100W 560R 5% Lead	PRODUCTION
3-2176504-5	C JP100J680RJ	C JP 100W 680R 5% Lead	PRODUCTION
3-2176504-6	C JP100J820RJ	C JP 100W 820R 5% Lead	PRODUCTION
3-2176504-7	C JP100J1K0J	C JP 100W 1K0 5% Lead	PRODUCTION

THIS DRAWING IS A CONTROLLED DOCUMENT.		DWN KARTHIK S 27MAY2022	 TE Connectivity NAME ALUMINIUM ENCLOSED RESISTOR CJP100 SERIES	
DIMENSIONS: mm		CHK ALLAN P 27MAY2022		
		APVD ALLAN P 27MAY2022		
TOLERANCES UNLESS OTHERWISE SPECIFIED:		PRODUCT SPEC	RESTRICTED TO	
0 PLC ±-		-	SIZE	A3
1 PLC ±0.5		APPLICATION SPEC	CAGE CODE	
2 PLC ±0.13		-	DRAWING NO	C=2176504
3 PLC ±0.013		WEIGHT	SCALE	
4 PLC ±0.0001		-	RESTRICTED TO	-
ANGLES ±		CUSTOMER DRAWING	SHEET	
FINISH		-	1:1	2 OF 2
MATERIAL		-	REV	A
-		-		