



Plug 'n' Play compact axial fans

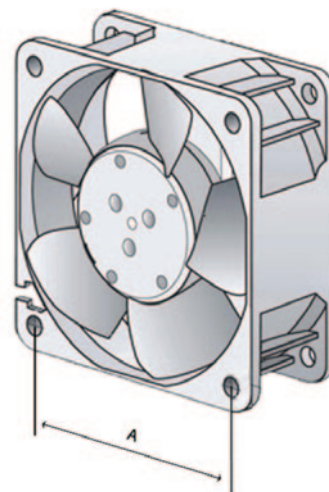
Complete with mountings and connector

- DC fans
- Plastic housing
- Ideal for PC cooling
- Molex connector fitted
- Connection via lead 313mm (+/- 10mm)
- Threaded brass inserts fitted on both sides
- Blowing over struts
- Protection IP20

Part Number	Airflow	Airflow	Voltage	Voltage Range	Noise	Sound Power	Bearings	Power	Speed	Temp range	Length	Width	Depth	Insert thread size	Connector
	m ³ /h	CFM	VDC	VDC	dB(A)	Bel		W	RPM	°C	mm	mm	mm		
624N-RSO	40	23.5	24	12...28	35	4.7	Ball	2.2	6100	-20...+70	60	60	25	M3	Molex 22-01-2025
624HH-RSO	56	33	24	18...28	43	5.6	Ball	3.6	8200	-20...+70	60	60	25	M3	Molex 22-01-2025
614NGML-RSO	25	14.7	24	18...28	19	3.9	Sleeve	1.2	3000	-20...+70	60	60	25	M3	Molex 22-01-2025
614NGH-RSO	46	27.1	24	18...28	38	5.5	Sleeve	2.6	5600	-20...+70	60	60	25	M3	Molex 22-01-2025
714F-RSO	44	25.9	24	18...28	38	5.3	Sleeve	1.5	5300	-20...+70	70	70	15	M3	Molex 22-01-2025
8412NGME-RSO	58	34.1	12	8...15	26	4.3	Sleeve	1.4	2600	-20...+75	80	80	25	M3	Molex 22-01-2025
8412NG-RSO	69	40.6	12	8...15	32	4.7	Sleeve	2.0	3100	-20...+70	80	80	25	M3	Molex 22-01-2025
8412NH-RSO	79	46.5	12	8...13.2	37	5.0	Ball	2.2	3600	-20...+70	80	80	25	M3	Molex 22-01-2025
8414NGL-RSO	33	19.4	24	18...28	12	3.5	Sleeve	0.7	1500	-20...+70	80	80	25	M3	Molex 22-01-2025
8214JN-RSO	132	77.7	24	18...26.4	55	6.6	Ball	10.0	8400	-20...+70	80	80	38	M3	Molex 22-01-2025
3412NGH-RSO	94	55.3	12	8...15	36	5.0	Sleeve	2.5	3000	-20...+70	92	92	25	M3	Molex 22-01-2025
3314-RSO	80	47.1	24	12...28	37	5.2	Ball	2.6	3000	-20...+75	92	92	32	M3	Molex 22-01-2025
4412FM-RSO	140	82.4	12	7...12.6	38	4.8	Ball	3.2	2400	-20...+75	119	119	25	M3	Molex 22-01-2025
4414FM-RSO	140	82.4	24	12...28	38	4.8	Ball	3.2	2400	-20...+75	119	119	25	M3	Molex 22-01-2025
4414F-RSO	170	100.1	24	12...28	43	5.3	Ball	5.0	2900	-20...+60	119	119	25	M3	Molex 22-01-2025

Fixing Centres

Frame Size	Dimension A (mm)
60	50
70	61.5
80	71.5
92	82.5
119	104.8



Terminal Assignment

- 1 = Red (+)
- 2 = Blue (-)

