

Tact Switch

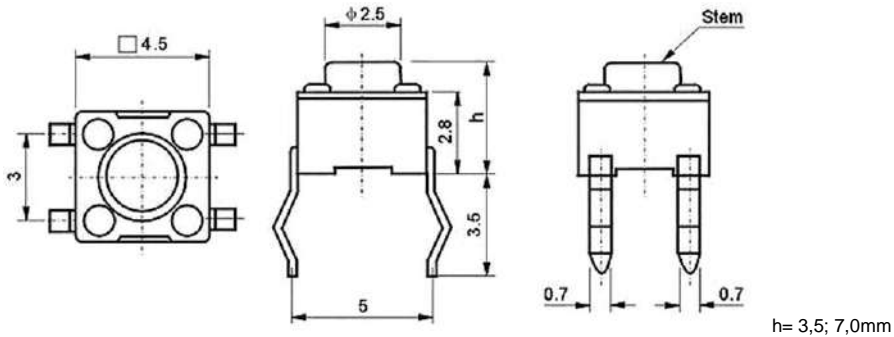
Q-802

TYPE: **TC-0010**

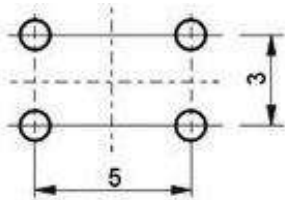
SPECIFICATIONS

| | |
|-----------------------------|-----------------------|
| Contact Type | SPST |
| Rating | DC 12V, 50mA |
| Contacts Resistance | $\leq 0,03M\Omega$ |
| Insulation Resistance | $\geq 100M\Omega$ Min |
| Minimum Load | DC 500V |
| Dielectric Strengths | AC 250V / 1 minute |
| Life Test | 100 000 Cycles Min |
| Operating temperature range | -25°C to +70°C |
| Operating Force | 130 \pm 50gf |

Outline Drawing



Mounting



Circuitry

