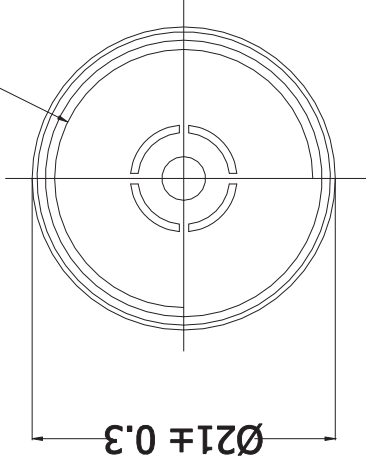
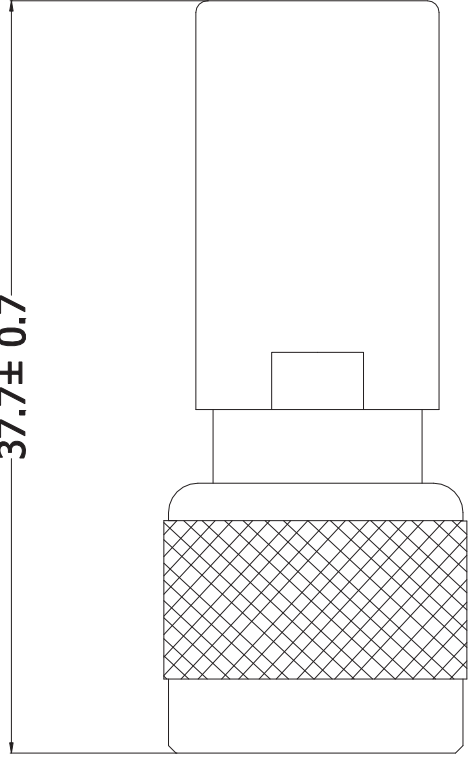


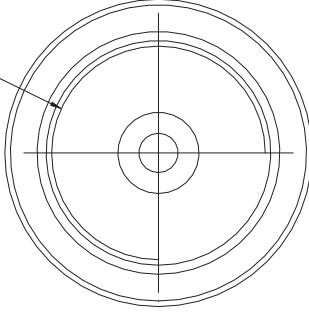
5/8-24UNEF



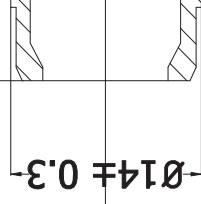
37.7 ± 0.7



5/8-24UNEF



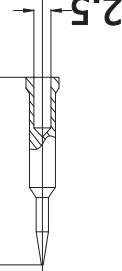
6.4 ± 0.3



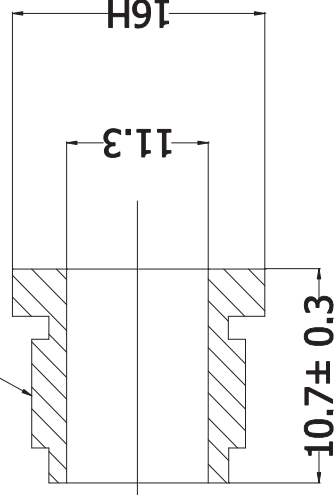
4.5 ± 0.3



15 ± 0.3



5/8-24UNEF



1.0

NEW DRAWING

VER.NO.

DESCRIPTION

2020/12/01

DATE

CHK. Carmen

DRAW. GuangHuel

DATE 2020/12/01

SHEET 1/1

DES.: N MALE CLAMP TYPE

DRAW NO.: GN-302-213

1.0

VER

P/NO.: HYR-0302/RG-213

CUSTOMER:

CUST. P/N.: GN-302-213

APP. Eric UNITS m/m

HOYUTEC

INTERNATIONAL CO., LTD.